




## G308A BACKLIGHT ASSEMBLY


### BACKLIGHT REPLACEMENT PROCEDURE

1. Remove the power and PLC Communications connectors from the unit.
2. Remove the four screws from the rear cover.
3. Locate the inverter board (refer to Figure 1).
4. Carefully remove the backlight connector from its connector housing on the inverter board. (refer to Figure 1).
5. Depress the backlight release tab and carefully remove the backlight as indicated in Figure 2.
6. Repeat steps 4 and 5 for the second backlight.
7. To install the new backlight assembly, reverse the above steps. Ensure that the florescent tubes of the backlight assembly face towards the display. Use caution when inserting the new assembly so that it is not twisted or pushed on an angle. The backlight assembly is fragile and may easily be broken.
8. Apply the enclosed label to the rear cover in the area indicated in Figure 3. Field replacement of the backlight assembly voids the Hazardous Locations rating of this unit.

 **CAUTION** - Backlight is not field replaceable for hazardous location applications. Unit must be returned to Red Lion Controls for repair.

 **WARNING - EXPLOSION HAZARD - THE AREA MUST BE KNOWN TO BE NON-HAZARDOUS BEFORE SERVICING/ REPLACING THE UNIT AND BEFORE INSTALLING OR REMOVING I/O, INVERTER, BACKLIGHT, WIRING AND BATTERY.**

 **WARNING - EXPLOSION HAZARD - DO NOT DISCONNECT EQUIPMENT UNLESS POWER HAS BEEN DISCONNECTED AND THE AREA IS KNOWN TO BE NON-HAZARDOUS.**

 **CAUTION: RISK OF ELECTRIC SHOCK**  
 The inverter board supplies the high voltage to operate the backlight. Touching the inverter board while under power may result in injury to personnel. Disconnect all power before installing or removing backlight assembly.

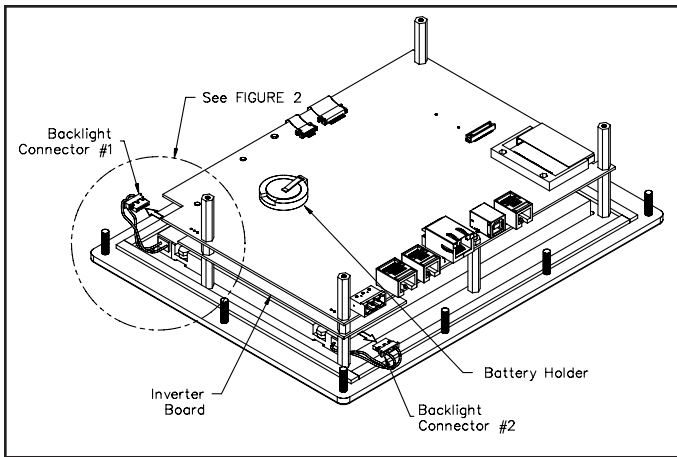


Figure 1

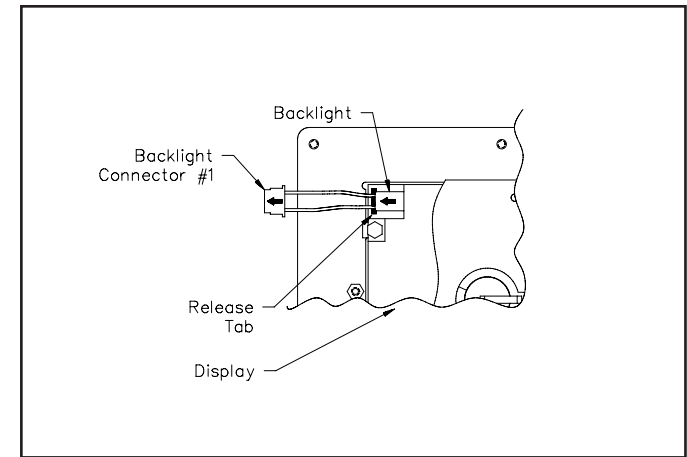


Figure 2

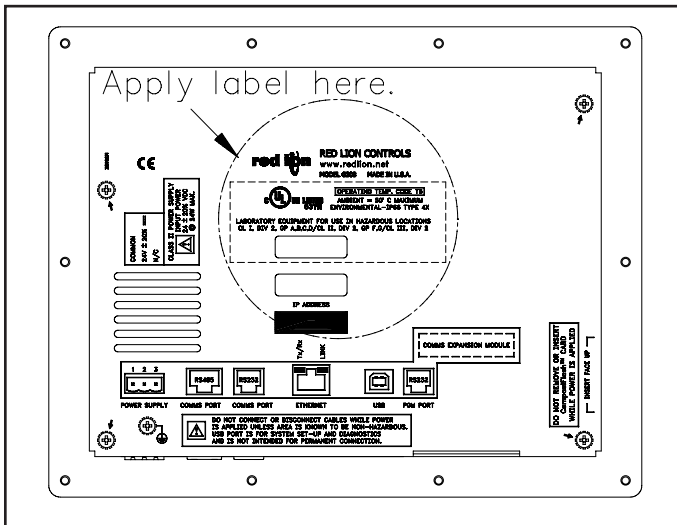


Figure 3

### ORDERING INFORMATION

MODEL NO.	DESCRIPTION	PART NUMBER
G308	G308A Backlight Assembly	G3BR08A0