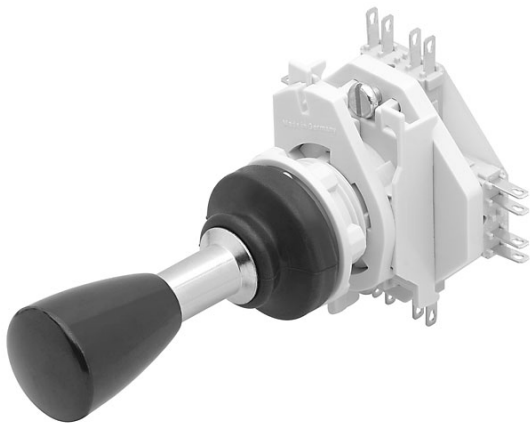
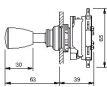


44-800.8 - Joystick complete



Attention: The preview is based on a sample product. This can differ from your current configuration.

Dimensions



Mounting cut-outs

Mounting

Mounting style	raised mounting
Mounting cut-out	Ø 22.5 mm

Front

Front shape	round
Front dimension	Ø 22 mm

Other Attributes

Weight	0.085 kg
--------	----------

Operating-/Indication part

Lever material	Plastic
Lever colour	black

IP-Rating

Front protection	IP 65
------------------	-------

Connection Method

Terminal	Solder 2.8 x 0.5 mm
----------	---------------------

Actuator

Switching action	Mo
------------------	----

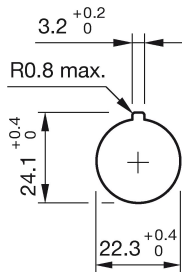
Switching element

Switching voltage	250 V AC
Switching current	5 A
Contacts	4 NC + 4 NO
Switching system	Snap-action
Contact material	Gold

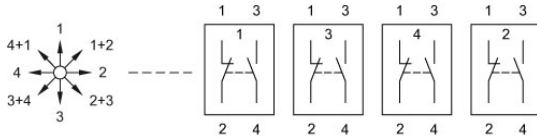
Function

Joystick

8 positions without latch position and lever guidance
(omni directional)



Wiring diagram



Component layout

