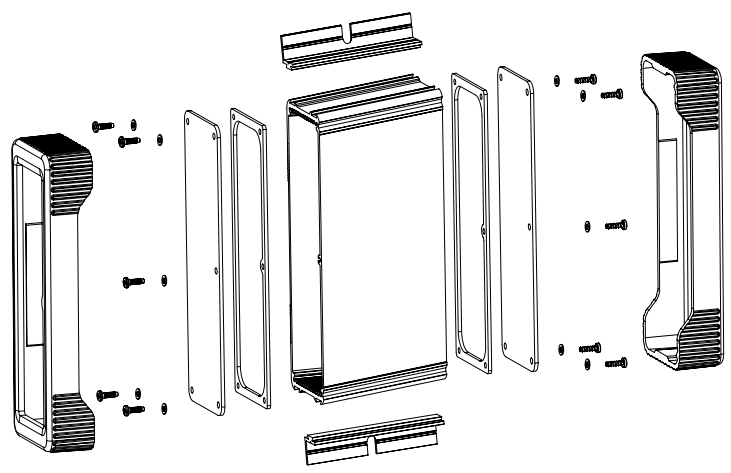




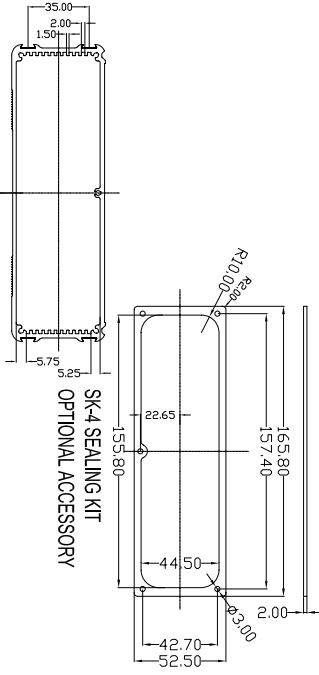
ENCLOSURES & ASSEMBLY SERVICES
WWW.BOXENCLOSURES.COM

BOX ENCLOSURES-USA
28915 N. Herky Dr #107
LAKE BLUFF, IL 60044
TEL: 847-932-4700
FAX: 847-932-4701
E-Mail - sales@boxenclosures.com

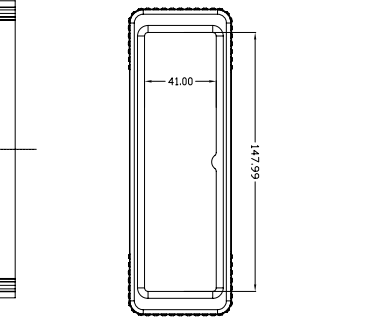
BOX ENCLOSURES-UK
1 Ash Grove
Keighley England B207/05
TEL: +44 (0) 1535 636 856
FAX: +44 (0) 1535 637 737



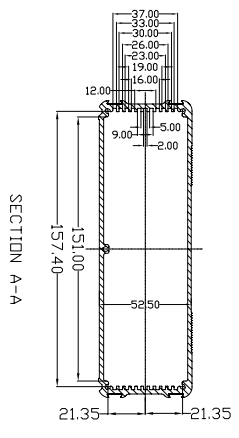
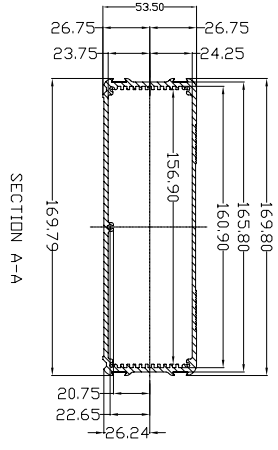
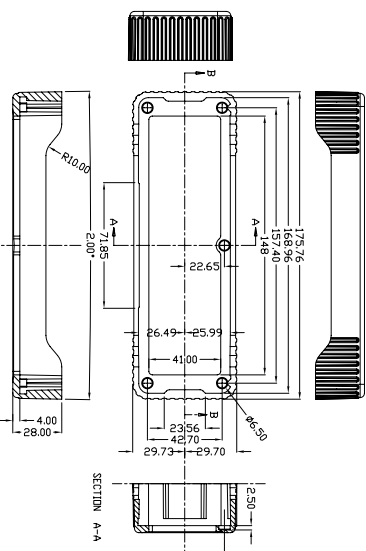
SK-4 SEALING KIT
OPTIONAL ACCESSORY



OPTIONAL ACCESSORY

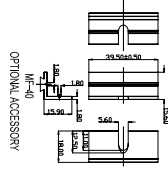
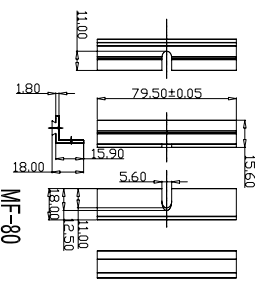


EC4_END_CAP_OPTIONAL_ACCESSORY

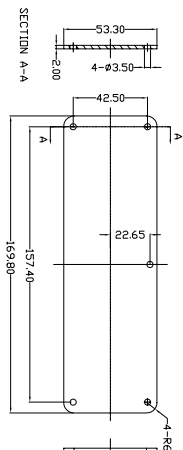


ENCLOSURE PROFILE

OPTIONAL ACCESSORY



END PLATE



Part #	Description	Color
B4-080 BK	Black	Black
B4-080 BL	Blue	Blue
B4-080 GD	Gold	Gold
B4-080 GR	Green	Green
B4-080 RD	Red	Red
B4-080 SI	Silver	Silver

Part #	Description	Color
MF-80-BK	Black	Black
MF-80-BL	Blue	Blue
MF-80-GD	Gold	Gold
MF-80-GR	Green	Green
MF-80-RD	Red	Red
MF-80-SI	Silver	Silver



ENCLOSURES & ASSEMBLY SERVICES

B4-080 MASTER DRAWING

Title	Revision:
B4-080 MASTER DRAWING	

Material:	Drawn:
Aluminum 6063-(16H9)	PANI 2009-04-08

Finish:	Checked:
Anodized BS 1615	

Tolerance:	App.	Date
all dimension in mm unless otherwise specified		
±0.40		
±0.20		
±0.10		
ANGLE ±1°		

THIS DRAWING IS THE PROPERTY OF AND MAY CONTAIN PROPRIETARY INFORMATION OWNED BY BOX ENCLOSURES. IT IS PROVIDED UNDER A CONFIDENTIAL RELATIONSHIP FOR A SPECIFIC PURPOSE. THE RECIPIENT AGREES TO USE IT ONLY FOR SUCH PURPOSE AND RETURN IT TO BOX ENCLOSURES UPON REQUEST.