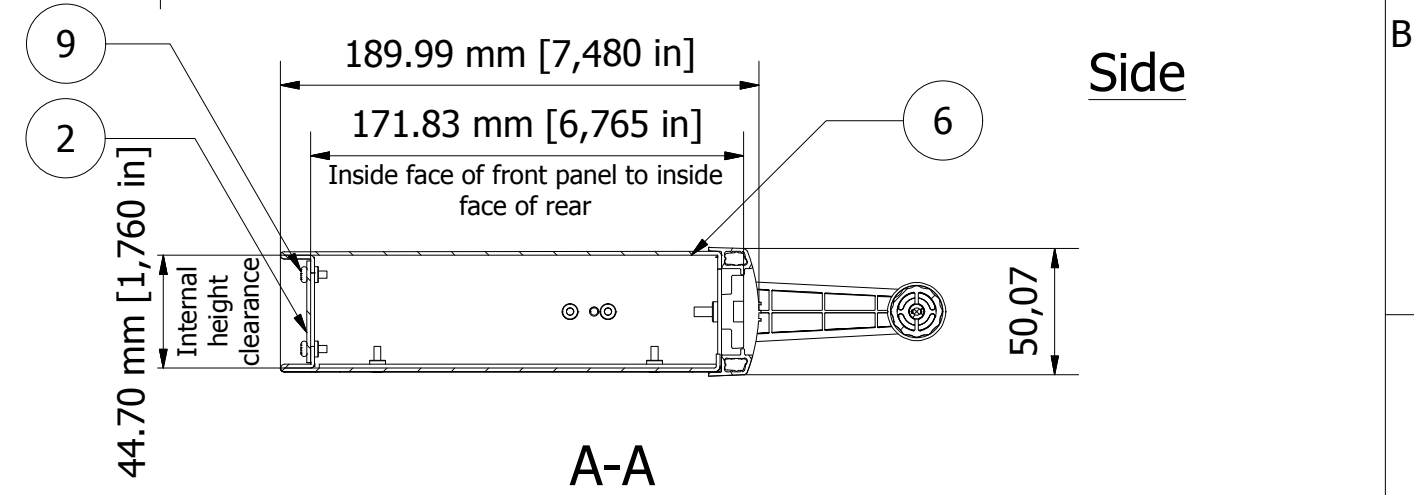
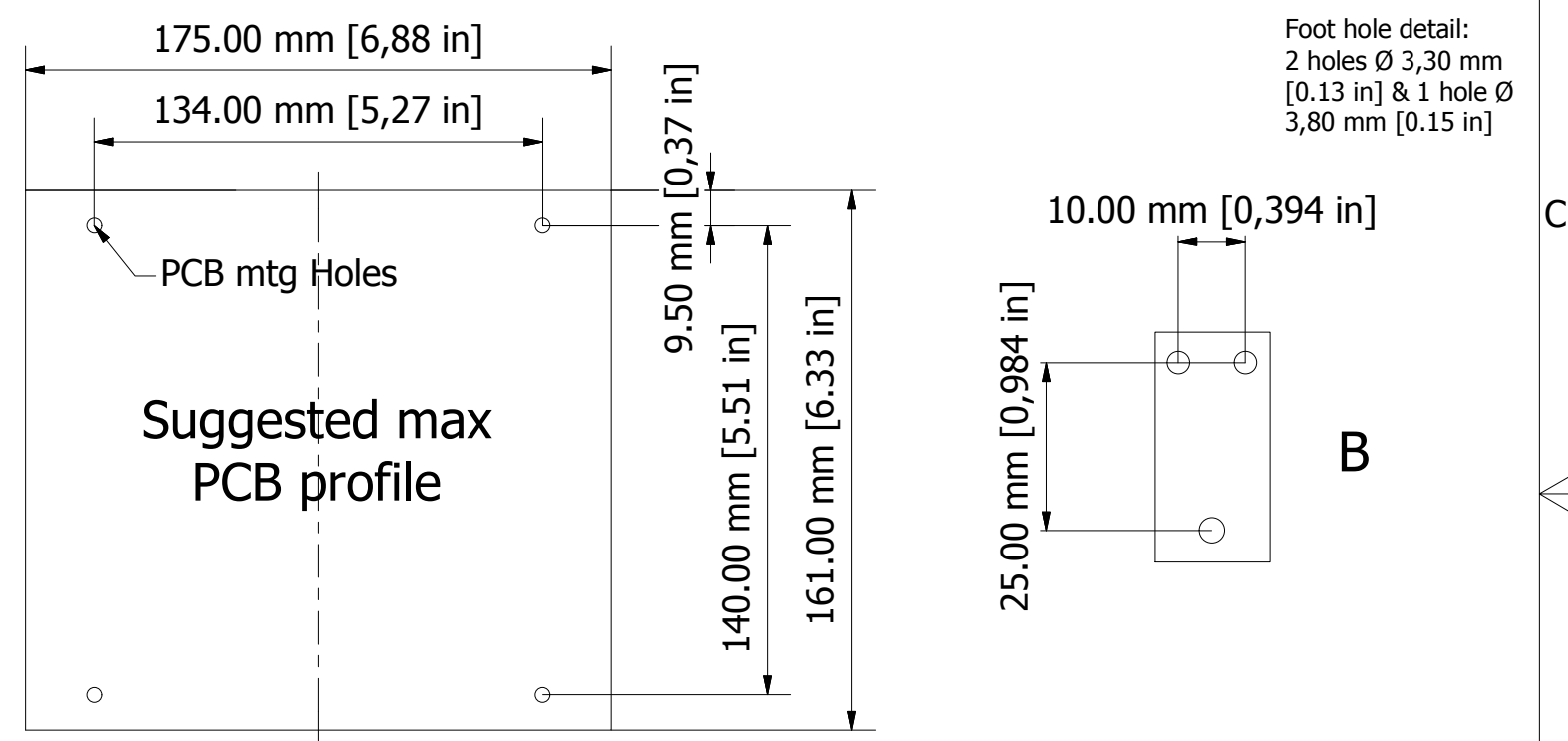


PARTS LIST			
ITEM	QTY	PART NUMBER	DESCRIPTION
1	1	M5601001	Base Panel
2	1	M5602001	Rear Panel
3	1	M5605001	Bezel
4	2	AS054231	Side Arm Kit
5	1	M5600023	Handle Bar
6	1	M5601051H	Top Cover
7	2	M4 x 16 mm CSK Screw	Bezel Fixing Screws
8	4	M3 x 8 mm CSK Screw	Base Panel Screws
9	4	M3 x 8 mm Pan Screw	Rear Panel Screws



Notes:

- 1) Case is fabricated from 1.5 mm aluminium sheet with die cast & extrusion bezels.
- 2) Case is powder coat painted fine texture with RAL 7040 bezels and RAL 7035 panels.

© OKW Enclosures Ltd (Date as shown). This drawing contains proprietary information of OKW Enclosures Ltd and is tendered subject to the following conditions. The information be retained in confidence, not be reproduced or copied, and not be used or incorporated in any product, unless permission is obtained in writing from OKW Enclosures Ltd.

Designed by L Clark	Description Unimet 1H	Date 11/12/2012	Scale 1:3
METCASE ENCLOSURES 15 Brunel Way, Segensworth East, Fareham, Hampshire, UK. PO15 5TX Tel: +44 (0)1489 583858 Email: metcase@okw.co.uk		METcase™ www.metcase.com Part Number M5623025	
		Issue 1	Sheet 1 / 1

FIRST ANGLE PROJECTION

