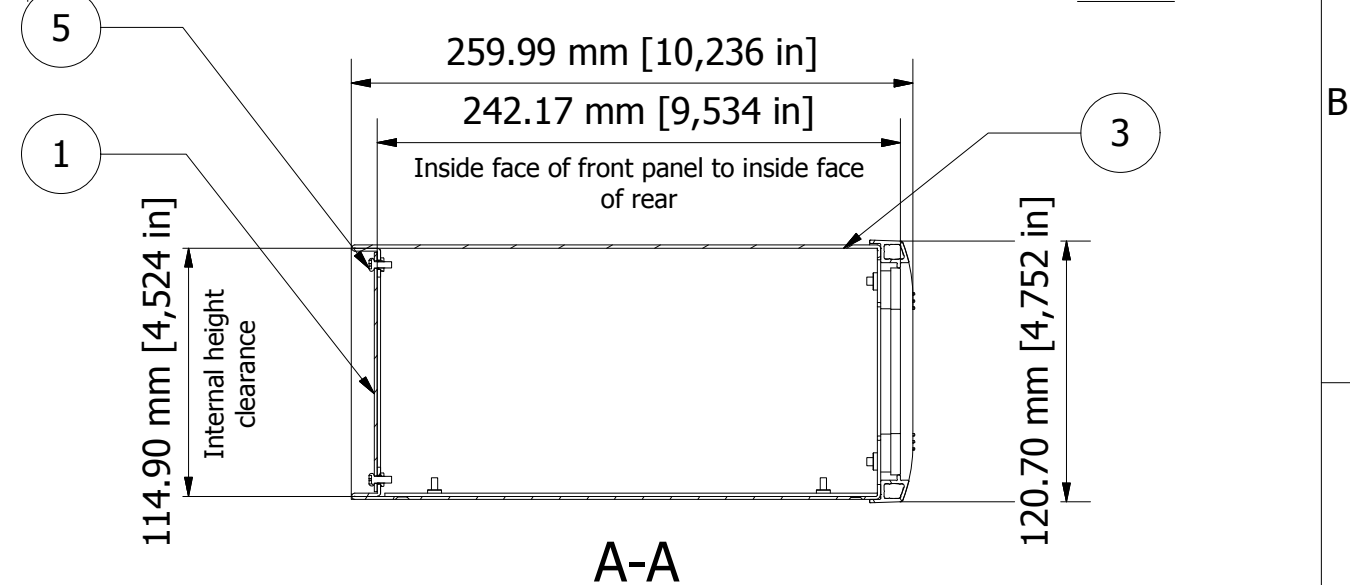
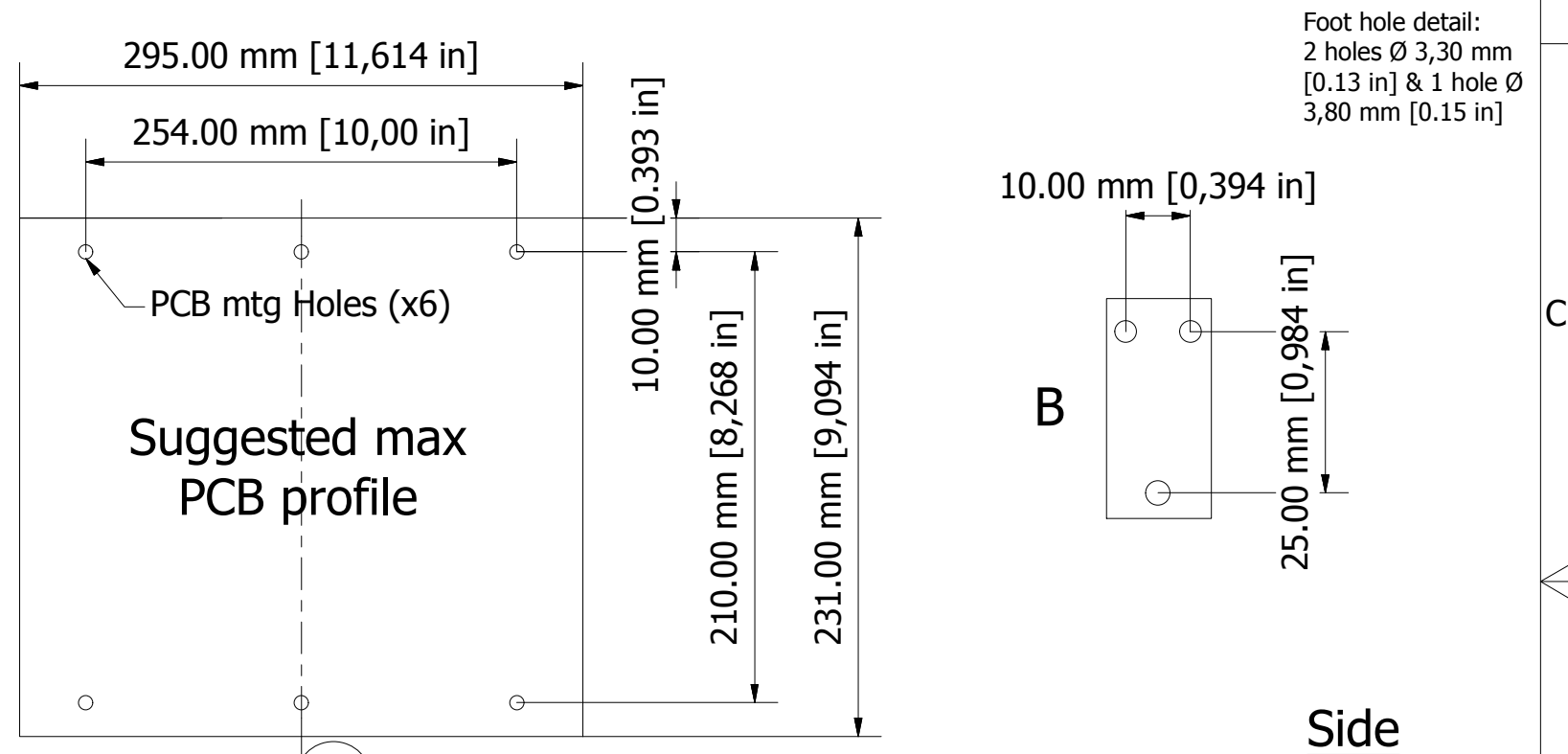


PARTS LIST			
ITEM	QTY	PART NUMBER	DESCRIPTION
1	1	M5602004	Rear Panel
2	1	M5605004	Bezel
3	1	M5601054	Top Cover
4	4	M3 x 8 mm CSK Screw	Base Panel Screws
5	6	M3 x 8 mm Pan Screw	Rear Panel Screws
6	4	M4 x 16 mm Pan Screw	Bezel Screws
7	1	M5601003	Base Panel



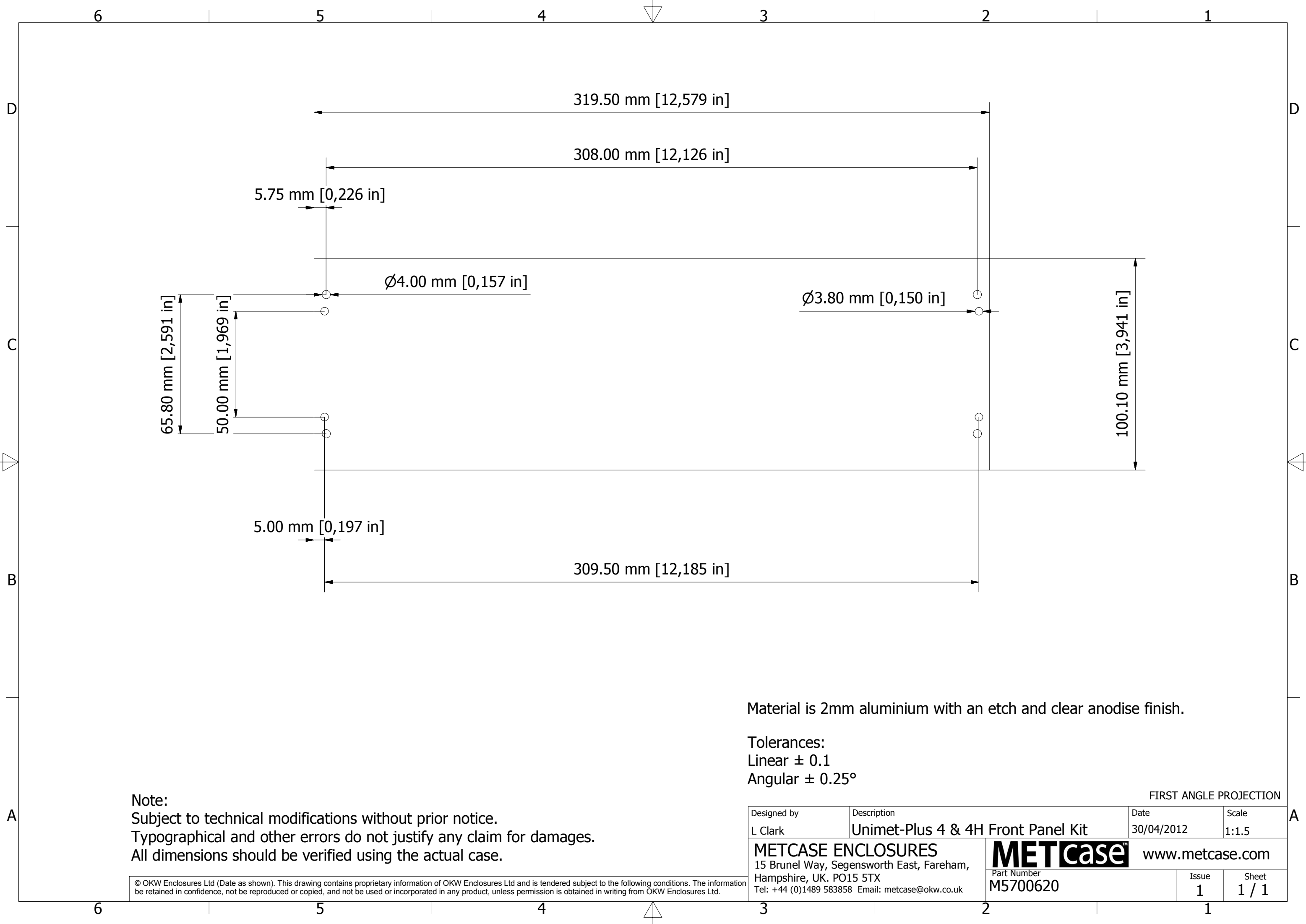
Notes:

- Case is fabricated from 1.5 mm aluminium sheet with die cast & extrusion bezels.
- Case is powder coat painted fine texture with RAL 7040 bezels and RAL 7035 panels.

© OKW Enclosures Ltd (Date as shown). This drawing contains proprietary information of OKW Enclosures Ltd and is tendered subject to the following conditions. The information be retained in confidence, not be reproduced or copied, and not be used or incorporated in any product, unless permission is obtained in writing from OKW Enclosures Ltd.

FIRST ANGLE PROJECTION

Designed by L Clark	Description Unimet 4	Date 03/12/2012	Scale 1:3.5
METCASE ENCLOSURES 15 Brunel Way, Segensworth East, Fareham, Hampshire, UK. PO15 5TX Tel: +44 (0)1489 583858 Email: metcase@okw.co.uk		METcase™ www.metcase.com Part Number M5635205	
		Issue 1	Sheet 1 / 1



Material is 2mm aluminium with an etch and clear anodise finish.

Tolerances:
 Linear ± 0.1
 Angular $\pm 0.25^\circ$

FIRST ANGLE PROJECTION

Note:
 Subject to technical modifications without prior notice.
 Typographical and other errors do not justify any claim for damages.
 All dimensions should be verified using the actual case.

© OKW Enclosures Ltd (Date as shown). This drawing contains proprietary information of OKW Enclosures Ltd and is tendered subject to the following conditions. The information be retained in confidence, not be reproduced or copied, and not be used or incorporated in any product, unless permission is obtained in writing from OKW Enclosures Ltd.

Designed by L Clark	Description Unimet-Plus 4 & 4H Front Panel Kit	Date 30/04/2012	Scale 1:1.5
METCASE ENCLOSURES 15 Brunel Way, Segensworth East, Fareham, Hampshire, UK. PO15 5TX Tel: +44 (0)1489 583858 Email: metcase@okw.co.uk		METcase™ www.metcase.com Part Number M5700620	
		Issue 1	Sheet 1 / 1