



AdaptaHorn® Flush Mount Vibrating Horn

Indoor Applications

870 & 871 Series

FEATURES

- > PLC compatible models
- > Corrosion resistant finish
- > Volume adjustable
- > Completely assembled

AGENCY APPROVALS

- > UL Listed
- > FM Approved (870 Series)

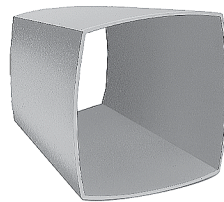
SPECIFICATIONS

- > Operating range: -20% to +10% of nominal voltage
 - > Heavy duty die-cast housing
- 870 AC Series**
- > Adjustable output: 78 to 103 dB
 - > 400 hour rating at 50% duty cycle
- 871 DC Series**
- > Adjustable output: 78 to 101 dB
 - > 200 hour rating

The Edwards 870 AC & 871 DC Series are low-current, high decibel flush mount vibrating horns for heavy-duty use. It has been designed for wall or panel installation and projects less than 1" (25mm) from the mounting surface. Supplied complete with trim plate.

Designed for indoor installation. Horn mounts in Catalog No. 870-B back box (ordered separately).

Applications include ceiling and wall mounting in corridors and manufacturing sites. Also, ideal for scoreboards. Used wherever a distinctive, urgent signal is required for timing, scheduling, paging, general alarm, and warning.

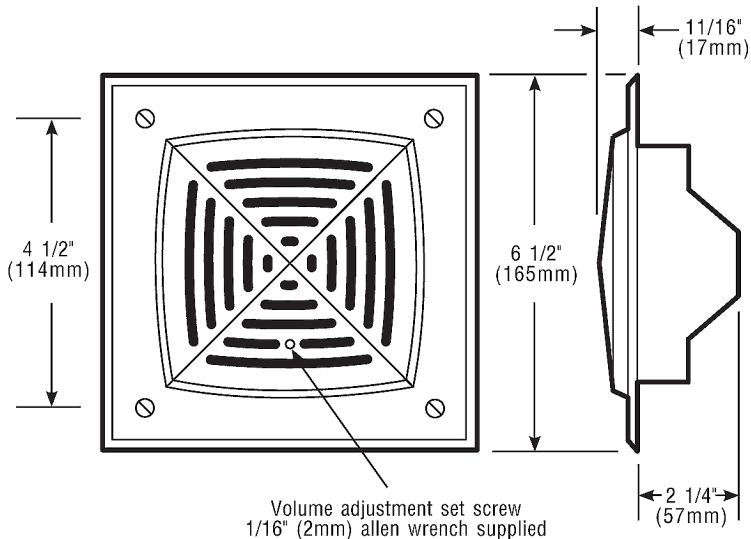


872-PO Plastic Projector AdaptaHorn Accessory

Plastic projector snaps onto any AdaptaHorn. Available as separate item.



TECHNICAL INFORMATION



Cat. No.	Volts	Amps	V A	DC coil Res. (Ohms)	dB at 10 Ft.
870-G5	24V AC	.63	15.1	5.2	
870-N5[†]	120V AC	.13	15.6	150	103
870-R5	240V AC	.07	16.8	580	
871-E1	12V DC	.27	3.2	6.0	
871-G1	24V DC	.16	3.8	24	101
871-K1	48V DC	.07	3.4	96	
871-P1	125V DC	.025	3.1	600	
871-S1	250V DC	.014	3.5	2640	

[†] Diode Polarized version available in red, order 880D-N5.

PLC COMPATIBILITY - SIGNAL INPUT LOAD CHARACTERISTICS*

Cat. No.	Operating voltage Volts	Max. off state leakage current mA	Continuous on current mA	Surge (inrush/duration) Amps/milliseconds
870-N5	120V AC 60 Hz	25	120	1.02/.000026
871-G1	24V DC	25	150	1.7/.000042

*This device is PLC compatible and may be operated by PLCs with output characteristics that match the input load requirements of this signal.

Electromechanical devices can produce transient spikes and should only be used on PLC output cards that have inherent transient spike suppression. Consult the PLC manufacturer prior to connecting 24V DC electromechanical devices to PLCs.