



## 125 Class Halogen Beacons for NEMA 4X Applications

The Edwards 125 Class Halogen beacons are UL and cUL listed signaling devices, available in two versions, flashing and steady-on. Both versions feature a corrosion resistant Type 4X enclosure and can be panel or conduit mounted. The base is manufactured from a polycarbonate/ABS blend, and the lens is made of shatter resistant polycarbonate. Both the flashing and steady-on beacons are available with either a black or gray base, and amber, blue, clear, green or red lens.

The 125 Class Halogen beacons can be mounted on ½" or ¾" NPT conduit using a ½" internal or ¾" external conduit hub that comes with the unit. It can also be panel-mounted using the mounting gasket provided with the unit. When panel-mounting the 125 Class Halogen, the surface and construction details of the panel must be taken into consideration to ensure the integrity of the outdoor, NEMA 4X rating is fully maintained.

### 125 Class Halogen Features

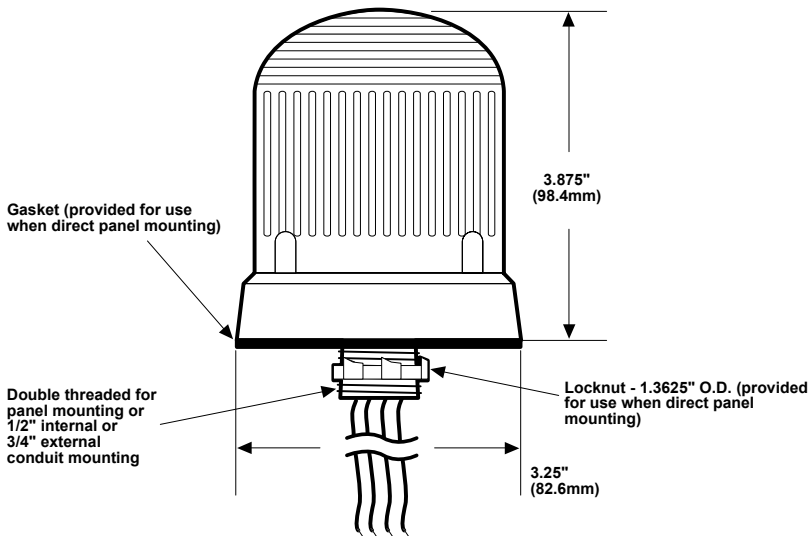
- Available in 24V DC, 24V AC or 120V AC
- Available with gray or black base
- Option for panel or conduit mounting
- Available in Flashing or Steady-On versions
- Available with amber, blue, clear, green or red lens
- -31°F to 150°F (-35°C to 66°C) operating temperature
- Protective wire guard available, Cat. No. 125GRD

## 125 Class Halogen Beacons

Description	Operation	Cat. No.	Base Color	LED Colors	Operating Voltage	Current	Replacement Lens	Replacement Lamp
Halogen Beacons in NEMA 4X Enclosure	Flashing	125HALF*24D	Gray	Amber, Blue, Clear, Green, Red	24V DC	0.770 A	125L*	50LMP-9WH-D
		125HALF*24A	Gray	Amber, Blue, Clear, Green, Red	24V AC 50/60 Hz	0.770 A	125L*	50LMP-9WH-D
		125HALF*120A	Gray	Amber, Blue, Clear, Green, Red	120V AC 50/60 Hz	0.200 A	125L*	50LMP-12WH-D
		125HALF*24DB	Black	Amber, Blue, Clear, Green, Red	24V DC	0.770 A	125L*	50LMP-9WH-D
		125HALF*24AB	Black	Amber, Blue, Clear, Green, Red	24V AC 50/60 Hz	0.770 A	125L*	50LMP-9WH-D
		125HALF*120AB	Black	Amber, Blue, Clear, Green, Red	120V AC 50/60 Hz	0.200 A	125L*	50LMP-12WH-D
	Steady-On	125HALS*24D	Gray	Amber, Blue, Clear, Green, Red	24V DC	0.770 A	125L*	50LMP-9WH-D
		125HALS*24A	Gray	Amber, Blue, Clear, Green, Red	24V AC 50/60 Hz	0.770 A	125L*	50LMP-9WH-D
		125HALS*120A	Gray	Amber, Blue, Clear, Green, Red	120V AC 50/60 Hz	0.200 A	125L*	50LMP-12WH-D
		125HALS*24DB	Black	Amber, Blue, Clear, Green, Red	24V DC	0.770 A	125L*	50LMP-9WH-D
		125HALS*24AB	Black	Amber, Blue, Clear, Green, Red	24V AC 50/60 Hz	0.770 A	125L*	50LMP-9WH-D
		125HALS*120AB	Black	Amber, Blue, Clear, Green, Red	120V AC 50/60 Hz	0.200 A	125L*	50LMP-12WH-D

\*Letter in this position indicates lens color: A - Amber, B - Blue, C - Clear, G - Green, R - Red

## Dimensional Drawings



## Agency Approvals

