

## Features

- Screw Terminals
- Long Life Contacts
- Molded Plastic Barrier Insulation
- Molded Nylon Bobbin Coil



| AC OPERATED   |              |              |                      |            |                                     |          |
|---------------|--------------|--------------|----------------------|------------|-------------------------------------|----------|
| NTE TYPE No.  | Nom. Voltage | Contact Arr. | Coil Res. Ohms (Typ) | Nom. Power | Max. Contact Cur. @ 28VDC or 120VAC | Diag No. |
| R04-3A30-12   | 12VAC        | SPST-NO      | —                    | 10VA       | 30A                                 | D4       |
| R04-3A30-24   | 24VAC        | SPST-NO      | —                    | 10VA       | 30A                                 | D4       |
| R04-3A30-120  | 120VAC       | SPST-NO      | —                    | 10VA       | 30A                                 | D4       |
| R04-3A30-240  | 240VAC       | SPST-NO      | —                    | 10VA       | 30A                                 | D4       |
| R04-5A30-12   | 12VAC        | SPDT         | —                    | 10VA       | 30A                                 | D3       |
| R04-5A30-24   | 24VAC        | SPDT         | —                    | 10VA       | 30A                                 | D3       |
| R04-5A30-110  | 120VAC       | SPDT         | —                    | 10VA       | 30A                                 | D3       |
| R04-5A30-240  | 240VAC       | SPDT         | —                    | 10VA       | 30A                                 | D3       |
| R04-7A30-12   | 12VAC        | DPST-NO      | —                    | 10VA       | 30A                                 | D4       |
| R04-7A30-24   | 24VAC        | DPST-NO      | —                    | 10VA       | 30A                                 | D4       |
| R04-7A30-120  | 120VAC       | DPST-NO      | —                    | 10VA       | 30A                                 | D4       |
| R04-7A30-240  | 240VAC       | DPST-NO      | —                    | 10VA       | 30A                                 | D4       |
| R04-11A30-12  | 12VAC        | DPDT         | —                    | 10VA       | 30A                                 | D5       |
| R04-11A30-24  | 24VAC        | DPDT         | —                    | 10VA       | 30A                                 | D5       |
| R04-11A30-120 | 120VAC       | DPDT         | —                    | 10VA       | 30A                                 | D5       |
| R04-11A30-240 | 240VAC       | DPDT         | —                    | 10VA       | 30A                                 | D5       |
| DC OPERATED   |              |              |                      |            |                                     |          |
| R04-3D30-12   | 12VDC        | SPST-NO      | 70                   | 2.0W       | 30A                                 | D4       |
| R04-3D30-24   | 24VDC        | SPST-NO      | 290                  | 2.0W       | 30A                                 | D4       |
| R04-5D30-12   | 12VDC        | SPDT         | 70                   | 2.0W       | 30A                                 | D3       |
| R04-5D30-24   | 24VDC        | SPDT         | 290                  | 2.0W       | 30A                                 | D3       |
| R04-5D30-110  | 110VDC       | SPDT         | 6K                   | 2.0W       | 30A                                 | D3       |
| R04-7D30-12   | 12VDC        | DPST-NO      | 70                   | 2.0W       | 30A                                 | D4       |
| R04-7D30-24   | 24VDC        | DPST-NO      | 290                  | 2.0W       | 30A                                 | D4       |
| R04-7D30-110  | 110VDC       | DPST-NO      | 6K                   | 2.0W       | 30A                                 | D4       |
| R04-11D30-12  | 12VDC        | DPDT         | 70                   | 2.0W       | 30A                                 | D5       |
| R04-11D30-24  | 24VDC        | DPDT         | 290                  | 2.0W       | 30A                                 | D5       |
| R04-11D30-48  | 48VDC        | DPDT         | 1200                 | 2.0W       | 30A                                 | D5       |
| R04-11D30-110 | 110VDC       | DPDT         | 6K                   | 2.0W       | 30A                                 | D5       |

# R04 Series



Heavy Duty, 30 Amp, Open Frame Relay designed for Industrial Control, High Inrush Current Applications such as Motor Starting and Incandescent Lamp Loads.



## Electrical Specifications

### Contact

**Contact Rating:** 30 Amps up to 300VAC 50/60 Hz, 5 Amps @ 480/600VAC, 50/60Hz, 0.75pf (slightly inductive) load, 1 1/2 HP motor load at 120 thru 600VAC 50/60Hz. 30 Amps @ 28VDC, resistive load (each pole). 2 HP motor load at 200 thru 600VAC 50/60Hz when using two poles to switch both sides of load.

**Contact Material:** Silver cadmium oxide, 5/16" Dia

### Coil

**Coil Voltages:** See Chart

**Coil Resistance:** See chart

**Coil Power:** Maximum Coil Dissipation: 4 watts DC

**Duty Cycle:** Continuous

### Operational Characteristics

**Timing Values . . . . Operate Time:** 40mS or less

**Release Time:** 30mS or less

### Insulation Characteristics

#### Dielectric Strength

**Across Open Contacts:** 1500 VRMS

Between mutually insulated conductive elements: 2200 VRMS

### Environmental Characteristics

**Operating:** -30° to +50°C (AC), -30°C to +60°C (DC)

**Non-operating (storage):** -30°C to +100°C

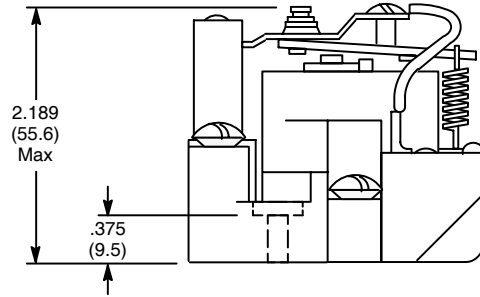
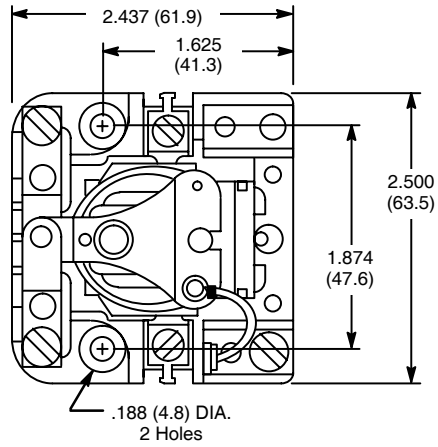
### Weight

**D3 case:** 8 ozs (227 grams)—approx

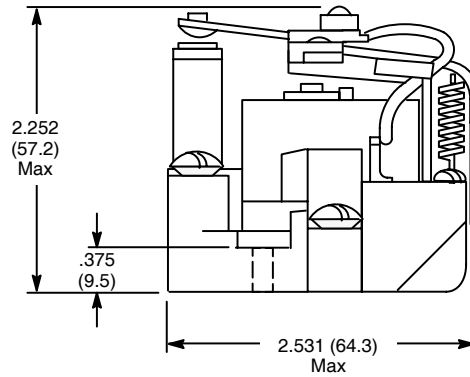
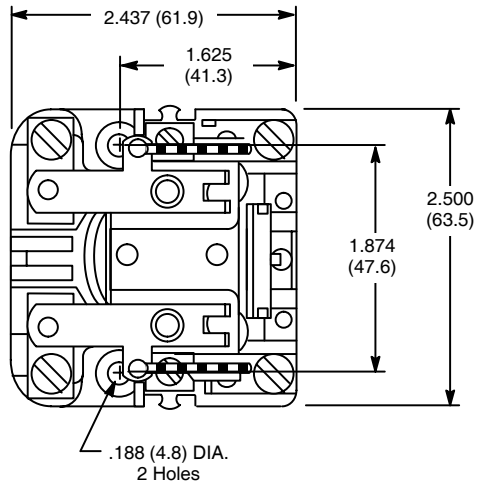
**D4 case:** 9 ozs (255 grams)—approx

**D5 case:** 11 ozs (311 grams)—approx

### D3



### D4



### D5

