

1SNK708410R0000 ✓ ACTIVE

ENTRELEC

TE Internal #: 1SNK708410R0000

Modular Terminal Blocks, Fuse, PI-Spring Terminal Block, Gray & Dark Gray, Product Spacing .315 in [8 mm], 2 Position, DIN Rail

[View on TE.com >](#)



Connectors > Terminal Blocks & Strips > Modular Terminal Blocks



Block Function: **Fuse**

Modular Terminal Block Product Type: **PI-Spring Terminal Block**

Primary Product Color: **Gray & Dark Gray**

Product Spacing: **8 mm [.315 in]**

Number of Positions: **2**

Features

Product Type Features

Modular Terminal Block Product Type	PI-Spring Terminal Block
-------------------------------------	--------------------------

Configuration Features

Gauge Type	2.9 mm Dia.
Number of Levels	1
Number of Circuits	1
Block Function	Fuse
Number of Positions	2

Electrical Characteristics

Operating Voltage Rating (UL & CSA) (Max) - Main Circuit	300 V
Impulse Withstanding Voltage Rating (IEC)	8000 V
Voltage Rating (CSA)	300 V
Current Rating (CSA)	7.5 A
Dielectric Withstanding Voltage (Max)	2200 V
Voltage Rating (IEC)	800 V

Current Rating (IEC)	6.3 A
----------------------	-------

Body Features

Product Weight	12.7 g[.423 oz]
Primary Product Color	Gray & Dark Gray

Mechanical Attachment

DIN Rail Mounting Type	TH35-15, TH35-7.5
Connector Mounting Type	DIN Rail

Housing Features

Housing Material	Polyamide
------------------	-----------

Dimensions

Main Circuit Capacity - 1 Rigid Stranded Conductor per Spring Clamp	.5 – 6 mm ²
---	------------------------

Main Circuit Capacity - Twin Ferrule per Spring Clamp	.5 – 1 mm ²
---	------------------------

Wire Stripping Length	12.5 mm[.492 in]
-----------------------	------------------

Main Circuit Capacity - 1 Non-Insulated Ferrule per Spring Clamp	.5 – 4 mm ²
--	------------------------

Main Circuit Capacity - 1 Insulated Ferrule per Spring Clamp	26 – 12 AWG
--	-------------

Main Circuit Capacity - 1 Flexible Conductor per Spring Clamp	.5 – 4 mm ²
---	------------------------

Tool Size	3.5 mm[.138 in]
-----------	-----------------

Product Depth	50.4 mm[1.969 in]
---------------	-------------------

Product Length	50.4 mm[1.969 in]
----------------	-------------------

Product Height	68.9 mm[2.677 in]
----------------	-------------------

Product Spacing	8 mm[.315 in]
-----------------	---------------

Usage Conditions

Installation Temperature Range	-5 – 40 °C[23 – 104 °F]
--------------------------------	-------------------------

Operating Temperature Range	-55 – 110 °C[-67 – 230 °F]
-----------------------------	----------------------------

Industry Standards

IP Rating	IP20
-----------	------

UL Flammability Rating	UL 94V-0
------------------------	----------

Product Compliance

[For compliance documentation, visit the product page on TE.com>](#)

EU RoHS Directive 2011/65/EU	Compliant
------------------------------	-----------



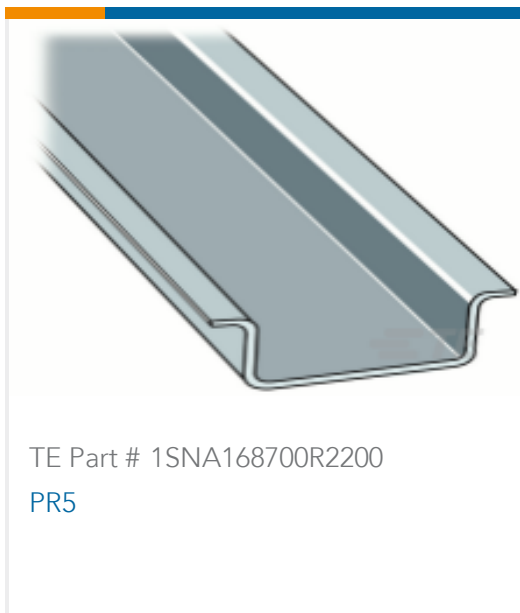
EU ELV Directive 2000/53/EC	Compliant
China RoHS 2 Directive MIIT Order No 32, 2016	No Restricted Materials Above Threshold
EU REACH Regulation (EC) No. 1907/2006	Current ECHA Candidate List: JUNE 2023 (235) Candidate List Declared Against: JUNE 2023 (235) Does not contain REACH SVHC
Halogen Content	Low Halogen - Br, Cl, F, I < 900 ppm per homogenous material. Also BFR/CFR/PVC Free
Solder Process Capability	Not reviewed for solder process capability

Product Compliance Disclaimer

This information is provided based on reasonable inquiry of our suppliers and represents our current actual knowledge based on the information they provided. This information is subject to change. The part numbers that TE has identified as EU RoHS compliant have a maximum concentration of 0.1% by weight in homogenous materials for lead, hexavalent chromium, mercury, PBB, PBDE, DBP, BBP, DEHP, DIBP, and 0.01% for cadmium, or qualify for an exemption to these limits as defined in the Annexes of Directive 2011/65/EU (RoHS2). Finished electrical and electronic equipment products will be CE marked as required by Directive 2011/65/EU. Components may not be CE marked. Additionally, the part numbers that TE has identified as EU ELV compliant have a maximum concentration of 0.1% by weight in homogenous materials for lead, hexavalent chromium, and mercury, and 0.01% for cadmium, or qualify for an exemption to these limits as defined in the Annexes of Directive 2000/53/EC (ELV). Regarding the REACH Regulation, the information TE provides on SVHC in articles for this part number is based on the latest European Chemicals Agency (ECHA) 'Guidance on requirements for substances in articles' posted at this URL: <https://echa.europa.eu/guidance-documents/guidance-on-reach>

Compatible Parts

 <p>TE Part # 1SNK160004R0000 MC812-YL</p>	 <p>TE Part # 1SNK900001R0000 BAM4</p>	 <p>TE Part # 1SNK900002R0000 BAZ1</p>	 <p>TE Part # 1SNK900105R0000 ES-TC6</p>
 <p>TE Part # 1SNK900203R0000 TP2</p>	 <p>TE Part # 1SNK900624R0000 KCO</p>	 <p>TE Part # 1SNA164800R0300 PR3.G2</p>	 <p>TE Part # 1SNA168500R1200 PR4</p>



Documents

Product Drawings

ZK4-SF1

French

CAD Files

3D PDF

3D

Customer View Model

[ENG_CVM_CVM_1SNK708410R0000_1.2d_dxf.zip](#)

English

Customer View Model

[ENG_CVM_CVM_1SNK708410R0000_1.3d_igs.zip](#)

English

Customer View Model

[ENG_CVM_CVM_1SNK708410R0000_1.3d_stp.zip](#)

English

By downloading the CAD file I accept and agree to the [Terms and Conditions](#) of use.

Datasheets & Catalog Pages

1SNK708410R0000

Modular Terminal Blocks, Fuse, PI-Spring Terminal Block, Gray & Dark Gray, Product Spacing .315 in [8 mm], 2 Position, DIN Rail



TERMINAL BLOCKS FOR FUSE

English

TERMINAL BLOCKS FOR FUSE

French

Agency Approvals

CB-IEC-ZK--SF-FR_641211

English