

1SNA510124R0000 ✓ ACTIVE

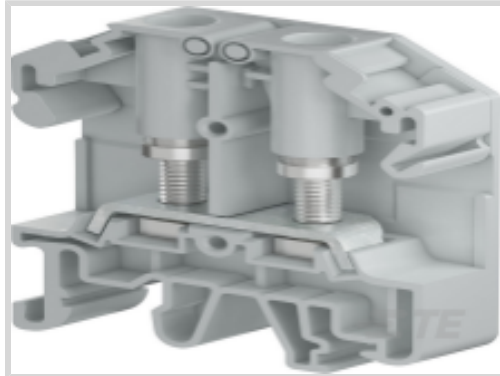
TE Internal #: 1SNA510124R0000

Modular Terminal Blocks, Feed-Through, Ring Lug Terminal Block, Gray, Product Spacing .433 in [11 mm], 2 Position, Screw Terminal, DIN Rail

[View on TE.com >](#)



Connectors > Terminal Blocks & Strips > Modular Terminal Blocks



Block Function: **Feed-Through**

Modular Terminal Block Product Type: **Ring Lug Terminal Block**

Primary Product Color: **Gray**

Product Spacing: **11 mm [.433 in]**

Number of Positions: **2**

Features

Product Type Features

Modular Terminal Block Product Type	Ring Lug Terminal Block
-------------------------------------	-------------------------

Configuration Features

Number of Levels	1
Block Function	Feed-Through
Number of Positions	2

Electrical Characteristics

Operating Voltage Rating (UL & CSA) (Max) - Main Circuit	600 V
Impulse Withstanding Voltage Rating (IEC)	8000 V
Voltage Rating (CSA)	600 V
Current Rating (CSA)	30 A
Short-Time Withstanding Current Rating @ 1s	720 A
Power Loss	1.3 W
Voltage Rating (IEC)	800 V
Current Rating (UL)	30 A
Current Rating (IEC)	41 A
Operating Voltage	800 VAC

Body Features

Product Weight	19.04 g[.671 oz]
----------------	------------------



Primary Product Color	Gray
-----------------------	------

Contact Features

Contact Current Rating (Max)	41 A
------------------------------	------

Termination Features

Termination Method to Wire & Cable	Screw Terminal
------------------------------------	----------------

Mechanical Attachment

Tightening Torque	10.6 in-lbs
-------------------	-------------

DIN Rail Mounting Type	G32, TH35-15, TH35-7.5
------------------------	------------------------

Connector Mounting Type	DIN Rail
-------------------------	----------

Housing Features

Housing Material	Polyamide
------------------	-----------

Dimensions

Tool Size	5.5 mm[.217 in]
-----------	-----------------

Product Depth	52.2 mm[2.055 in]
---------------	-------------------

Product Width	11 mm[.433 in]
---------------	----------------

Product Length	52.2 mm[2.055 in]
----------------	-------------------

Product Height	44.7 mm[1.759 in]
----------------	-------------------

Product Spacing	11 mm[.433 in]
-----------------	----------------

Wire Size	6 mm ²
-----------	-------------------

Usage Conditions

Operating Temperature Range	-55 – 110 °C[-67 – 230 °F]
-----------------------------	----------------------------

Industry Standards

IP Rating	IP10
-----------	------

UL Flammability Rating	UL 94V-0
------------------------	----------

Product Compliance

[For compliance documentation, visit the product page on TE.com>](#)

EU RoHS Directive 2011/65/EU	Compliant
------------------------------	-----------

EU ELV Directive 2000/53/EC	Compliant
-----------------------------	-----------

China RoHS 2 Directive MIIT Order No 32, 2016	No Restricted Materials Above Threshold
---	---

EU REACH Regulation (EC) No. 1907/2006	Current ECHA Candidate List: JUNE 2023 (235)
--	--



Candidate List Declared Against: JUNE 2023 (235)

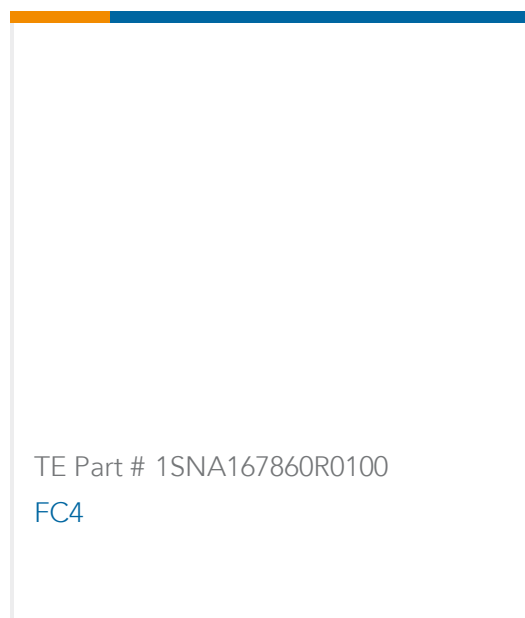
Does not contain REACH SVHC

Halogen Content	Low Halogen - Br, Cl, F, I < 900 ppm per homogenous material. Also BFR/CFR/PVC Free
Solder Process Capability	Not reviewed for solder process capability

Product Compliance Disclaimer

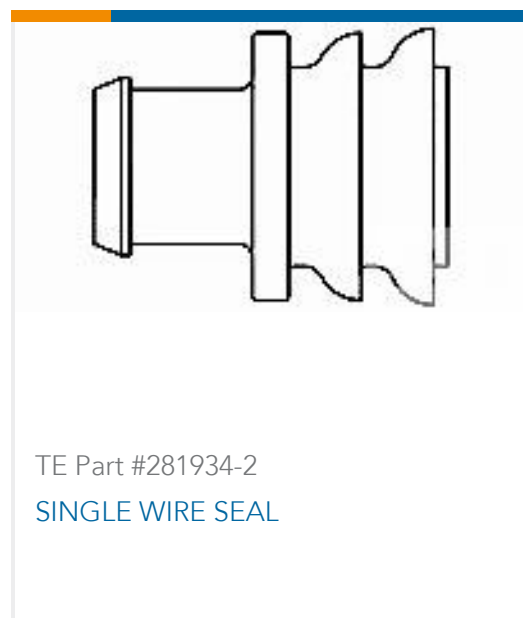
This information is provided based on reasonable inquiry of our suppliers and represents our current actual knowledge based on the information they provided. This information is subject to change. The part numbers that TE has identified as EU RoHS compliant have a maximum concentration of 0.1% by weight in homogenous materials for lead, hexavalent chromium, mercury, PBB, PBDE, DBP, BBP, DEHP, DIBP, and 0.01% for cadmium, or qualify for an exemption to these limits as defined in the Annexes of Directive 2011/65/EU (RoHS2). Finished electrical and electronic equipment products will be CE marked as required by Directive 2011/65/EU. Components may not be CE marked. Additionally, the part numbers that TE has identified as EU ELV compliant have a maximum concentration of 0.1% by weight in homogenous materials for lead, hexavalent chromium, and mercury, and 0.01% for cadmium, or qualify for an exemption to these limits as defined in the Annexes of Directive 2000/53/EC (ELV). Regarding the REACH Regulation, the information TE provides on SVHC in articles for this part number is based on the latest European Chemicals Agency (ECHA) 'Guidance on requirements for substances in articles' posted at this URL: <https://echa.europa.eu/guidance-documents/guidance-on-reach>

Compatible Parts





Customers Also Bought



Documents

Product Drawings

[RGW6-T-V0](#)

English

CAD Files

[3D PDF](#)

3D

Customer View Model

[ENG_CVM_CVM_1SNA510124R0000_A.2d_dxf.zip](#)

English

Customer View Model

[ENG_CVM_CVM_1SNA510124R0000_A.3d_igs.zip](#)

English

Customer View Model

[ENG_CVM_CVM_1SNA510124R0000_A.3d_stp.zip](#)

English

By downloading the CAD file I accept and agree to the [Terms and Conditions](#) of use.

1SNA510124R0000

Modular Terminal Blocks, Feed-Through, Ring Lug Terminal Block, Gray, Product
Spacing .433 in [11 mm], 2 Position, Screw Terminal, DIN Rail



[Datasheets & Catalog Pages](#)

[RGW RING LUG TERMINAL BLOCKS](#)

English

[RGW6-T-V0](#)

English