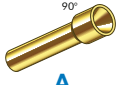
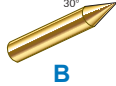


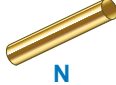

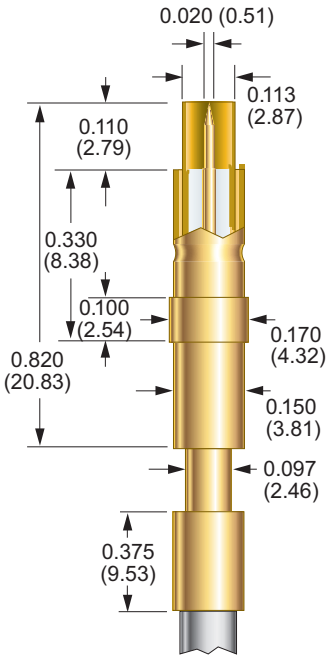


► **100445 & 100746 COAX SERIES**

0.200 (5.08) Centers | Attached Cable

SIGNAL PLUNGER BECU TIPS	DIAMETER
 A	0.035 (0.89)
 B	0.020 (0.51)
 ES	0.046 (1.17)
 H	0.035 (0.89)

SHIELDING PLUNGER BECU TIPS	DIAMETER
 N	0.113 (2.87)
 S	0.113 (2.87)



PROBE SPECIFICATIONS

Minimum Centers	0.200 (5.08)
Current Rating	3 A continuous
Spring Force	Signal Conductor: 1.60 oz (45 g) @ 0.070 (1.78) travel (<i>tip B</i>) 2.00 oz (57 g) @ 0.070 (1.78) travel (<i>tips A, ES, H</i>) Shielding Plunger: 4.30 oz (122 g) @ 0.070 (1.78) travel
Nominal Impedance	50 Ω
Maximum Travel	0.090 (2.29) (<i>tip B</i>) 0.075 (1.91) (<i>tips A, ES, H</i>)
Working Travel	0.070 (1.78)

MATERIALS

Barrel	Brass, gold plated
Spring	Signal Conductor: Beryllium copper, gold plated Shielding Plunger: Stainless steel, gold plated
Shielding Plunger	Beryllium copper, gold plated
Dielectric Insulator	Teflon
Shielding Tube	Stainless steel, gold plated
Signal Conductor	Series S, Size 00 probe
Crimp Ferrule	Brass, gold plated
Coaxial Cable	100445: RG 174U 100746: RG 316

HOW TO ORDER

100445 - B - N - F - 12 - AM	
	1 2 3 4 5 6
1 ► BASE PART NUMBER	100445 100746
2 ► SIGNAL TIP STYLES	A, B, ES, H, N, S
3 ► MOUNTING FLANGE	N WITHOUT FLANGE F WITH FLANGE
4 ► SHIELDING PLUNGER	S SERRATED N FLAT
5 ► CABLE LENGTH	12 IN. 36 IN.
6 ► TERMINATION	AM SMA MALE AF SMA FEMALE NC NO CONNECTOR

*When ordering with a preattached connector, please note that the connector will not fit through the probe mounting hole. The probe must be inserted from the bottom side of the mounting plate. Dimensions are in inches (mm) | All specifications are subject to change