

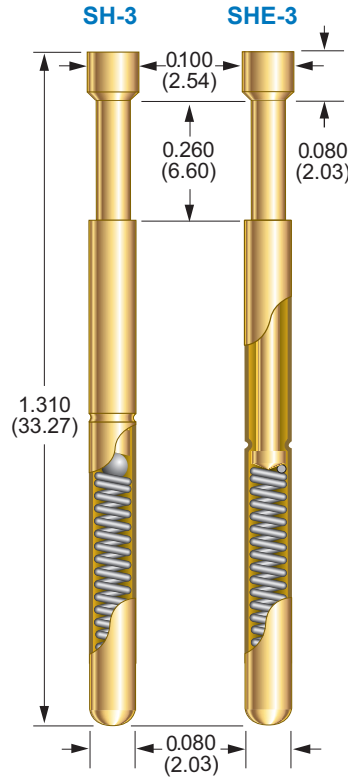
## ► SH-3 & SHE-3 SERIES

0.125 (3.18) Centers

For RH-3 Series Receptacles see pg. 70

SHE-3 BECU TIPS	DIAMETER
<b>A</b>	0.100 (2.54)
<b>B</b>	0.067 (1.70)
<b>H</b>	0.100 (2.54)
<b>K</b>	0.100 (2.54)

SH-3 BECU TIPS	DIAMETER
<b>A</b>	0.100 (2.54)
<b>F</b>	0.100 (2.54)
<b>H</b>	0.100 (2.54)
<b>J</b>	0.067 (1.70)



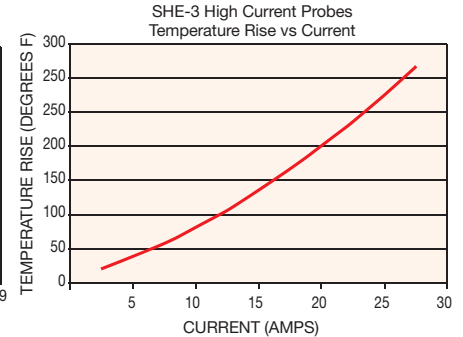
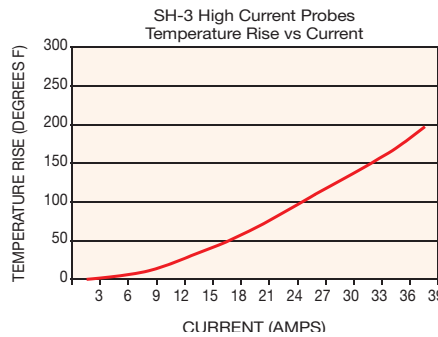
### PROBE SPECIFICATIONS

<b>Minimum Centers</b>	0.125 (3.18)
<b>Current Rating</b>	SHE-3: 14 A continuous SH-3: 27 A continuous <i>(individual probe in free air @ ambient temperature)</i>
<b>Spring Force</b>	7.00 oz (199 g) @ 0.170 (4.32) travel
<b>Preload Force</b>	2.90 oz (82 g)
<b>Maximum Travel</b>	0.250 (6.35)
<b>Working Travel</b>	0.170 (4.32)

### MATERIALS

<b>Barrel</b>	High performance copper alloy, gold plated
<b>Spring</b>	Stainless steel
<b>Plunger</b>	Beryllium copper, gold plated
<b>Ball<sup>(1)</sup></b>	Stainless steel

### 0.125 CENTER HIGH CURRENT PROBES CURRENT RATINGS<sup>(2)</sup>



## HOW TO ORDER

**SHE - 3 - A - 7 - G**  
1 2 3 4 5

<b>1</b> ► SERIES	SH SHE
<b>2</b> ► SIZE	3
<b>3</b> ► TIP STYLE	A, B, F, H, J, K
<b>4</b> ► SPRING FORCE	7 oz.
<b>5</b> ► PLUNGER PLATING	G GOLD

1. For SH-3 Series only

2. Smiths Connectors' current ratings are defined as the maximum current at which the temperature rise of the probe does not exceed 144°F (80°C) for a single probe in free air at ambient temperature for one hour.

Dimensions are in inches (mm) | All specifications are subject to change