

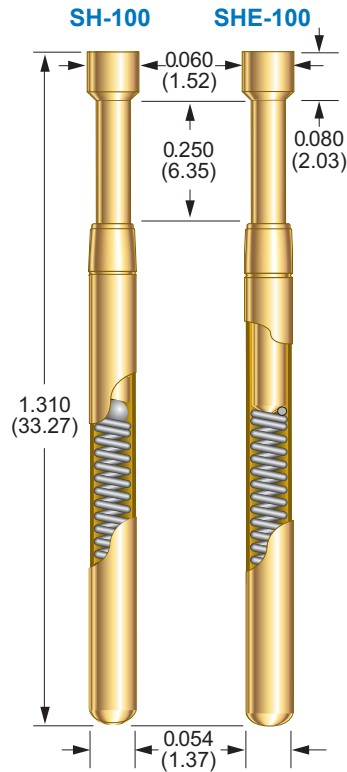
► **SH-100 & SHE-100 SERIES**

0.100 (2.54) Centers

For RH-100 Series Receptacles see pg. 69

SHE-100 BECU TIPS	DIAMETER
A	0.060 (1.52)
B	0.036 (0.91)
H	0.060 (1.52)
K	0.060 (1.52)

SH-100 BECU TIPS	DIAMETER
A	0.060 (1.52)
F	0.060 (1.52)
H	0.060 (1.52)
J	0.036 (0.91)



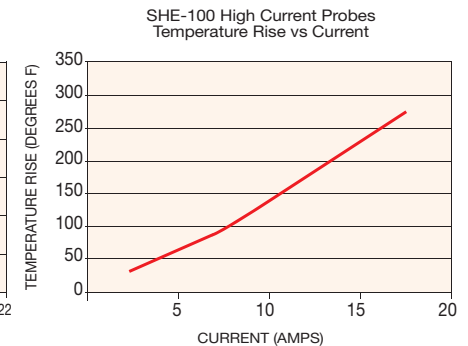
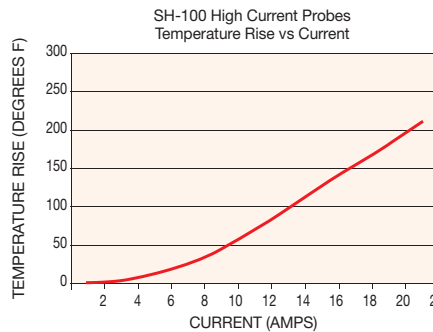
PROBE SPECIFICATIONS

Minimum Centers	0.100 (2.54)
Current Rating	SHE-100: 8 A continuous SH-100: 15 A continuous <i>(individual probe in free air @ ambient temperature)</i>
Spring Force	4.00 oz (113 g) ⁽¹⁾ or 6.70 oz (190 g) @ 0.170 (4.32) travel
Preload Force	1.60 oz (45 g) (4.00 oz spring) ⁽¹⁾ 2.40 oz (68 g) (6.70 oz spring)
Maximum Travel	0.250 (6.35)
Working Travel	0.170 (4.32)

MATERIALS

Barrel	High performance copper alloy, gold plated
Spring	Stainless steel
Plunger	Beryllium copper, gold plated
Ball⁽¹⁾	Stainless steel

0.100 CENTER HIGH CURRENT PROBES CURRENT RATINGS⁽²⁾



HOW TO ORDER

	SHE - 100 - A - 6.7 - G				
	1	2	3	4	5
1 ► SERIES	SH		SHE		
2 ► SIZE		100			
3 ► TIP STYLE	A, B, F, H, J, K				
4 ► SPRING FORCE	4 oz. ⁽¹⁾		6.7 oz.		
5 ► PLUNGER PLATING	G GOLD				

1. For SH-100 Series only

2. Smiths Connectors' current ratings are defined as the maximum current at which the temperature rise of the probe does not exceed 144°F (80°C) for a single probe in free air at ambient temperature for one hour. Dimensions are in inches (mm) | All specifications are subject to change