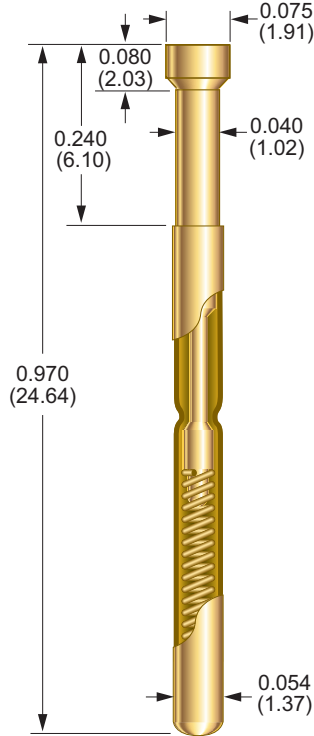


## ► S-2 SERIES

0.100 (2.54) Centers

For R-2 Series Receptacles see pg. 63

BECU TIPS	DIAMETER
<b>A</b>	0.075 (1.91)
<b>B</b>	0.040 (1.02)
<b>C</b>	0.040 (1.02)
<b>D</b>	0.050 (1.27)
<b>E</b>	0.075 (1.91)
<b>F</b>	0.075 (1.91)
<b>G</b>	0.040 (1.02)
<b>H</b>	0.075 (1.91)
<b>J</b>	0.040 (1.02)
<b>K</b>	0.075 (1.91)
<b>T</b>	0.075 (1.91)
<b>V</b>	0.060 (1.52)
<b>X</b>	0.060 (1.52)



### PROBE SPECIFICATIONS

<b>Minimum Centers</b>	0.100 (2.54)
<b>Current Rating</b>	3 A continuous
<b>Spring Force</b>	4.00 oz (113 g), 7.00 oz (198 g), 8.30 oz (235 g), or 10.00 oz (283 g) @ 0.100 (2.54) travel
<b>Preload Force</b>	1.60 oz (45 g) (4.00 oz spring/BeCu) 2.90 oz (82 g) (7.00 oz spring/stainless steel) 3.30 oz (93 g) (8.30 oz spring/music wire) 3.90 oz (110 g) (10.00 oz spring/music wire)
<b>Typical Resistance</b>	< 35 mΩ
<b>Maximum Travel</b>	0.160 (4.06)
<b>Working Travel</b>	0.100 (2.54)

### MATERIALS

<b>Barrel</b>	Nickel/silver, gold plated
<b>Spring</b>	Beryllium copper, precious metal plated, music wire, or stainless steel, gold plated
<b>Plunger</b>	Beryllium copper, gold plated over nickel, or Duralloy™

## HOW TO ORDER

	S - 2 - A - 4 - G				
	1	2	3	4	5
<b>1</b> ► SERIES	S				
<b>2</b> ► SIZE	2				
<b>3</b> ► TIP STYLE	A, B, C, D, E, F, G, H, J, K, T, V, X				
<b>4</b> ► SPRING FORCE	4 oz.		7 oz.		
	8.3 oz.		10 oz.		
<b>5</b> ► PLUNGER PLATING	G GOLD		D DURALLOY™		