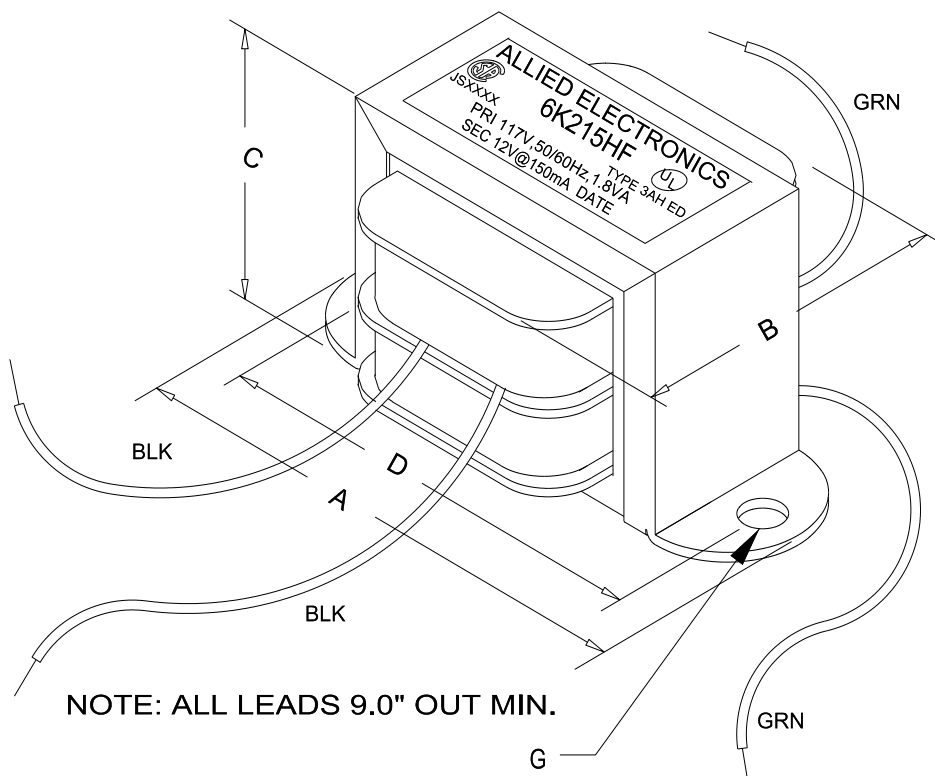
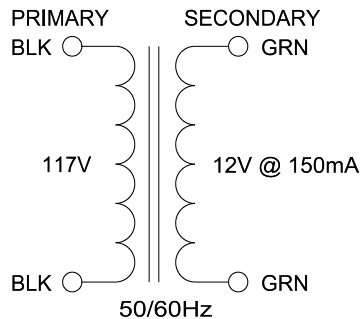


EDB6K215HF



52 RANKIN PLACE,  
 WATERLOO, ONTARIO, N2L 3Z5.  
 PHONE (519) 886-6181  
 FAX # (519) 886-9540

TITLE  
**ALLIED ELECTRONICS  
6K215HF**

			DR BY MICHAEL VADALA
1	05/26/06	PRELIMINARY. M. VADALA	DATE 05/26/06
NO	DATE	REVISION	DIM IN(X)MM( )

EDB6K215HF