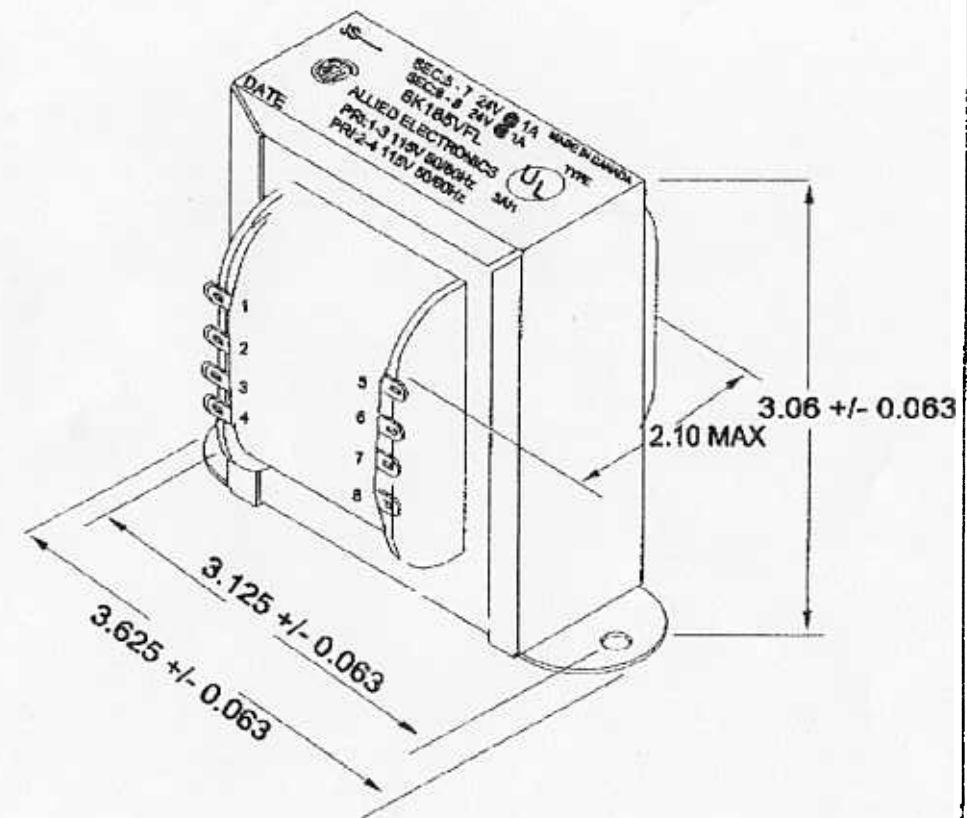
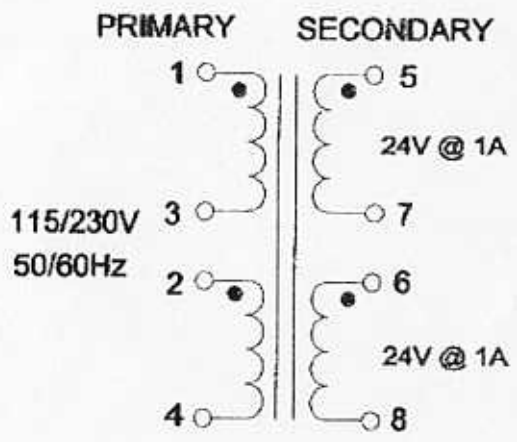


*Diana*

EDB6K185VFL



TOLERANCES STD.	
.X	==+-.1
.XX	==+-.08
.XXX	==+-.02
.XXXX	==+-.005
ANGLES	==+-.5D

\*\* TOTAL PAGE.03 \*\*

REV.NO.	REVISION	DATE	Hammond Electronics Waterloo, Ontario Canada		
			DWG. BY: D.Hutt	TITLE: POWER TRANSFORMER	DWG.NO. EDB6K185VFL
			DATE: 08/01/00		SH 1 OF 1
			CHKD BY:		
			APP'D. BY:		