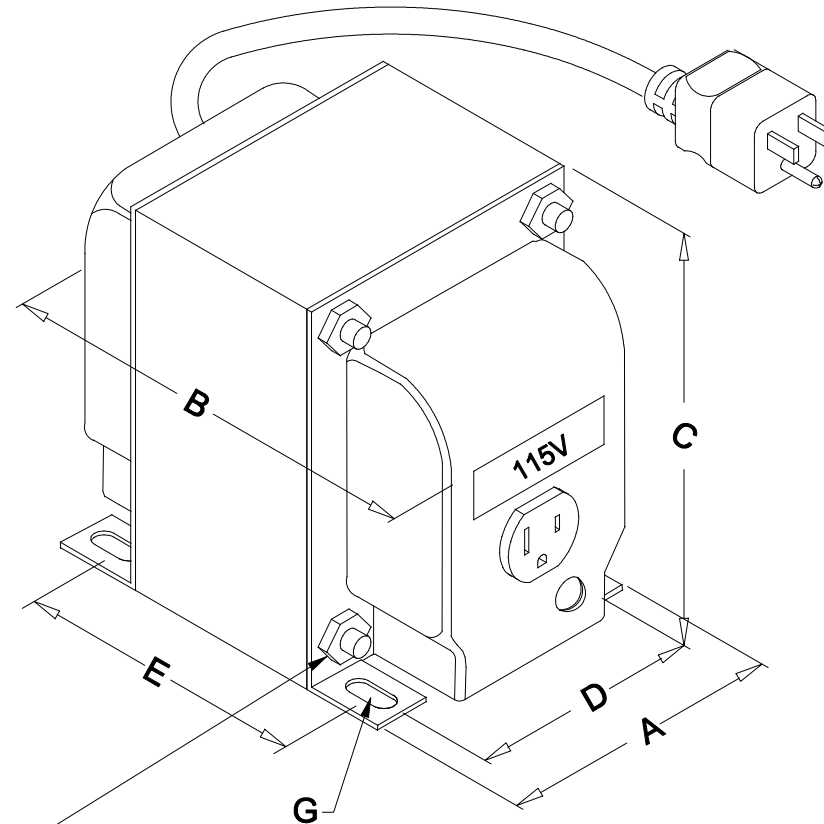
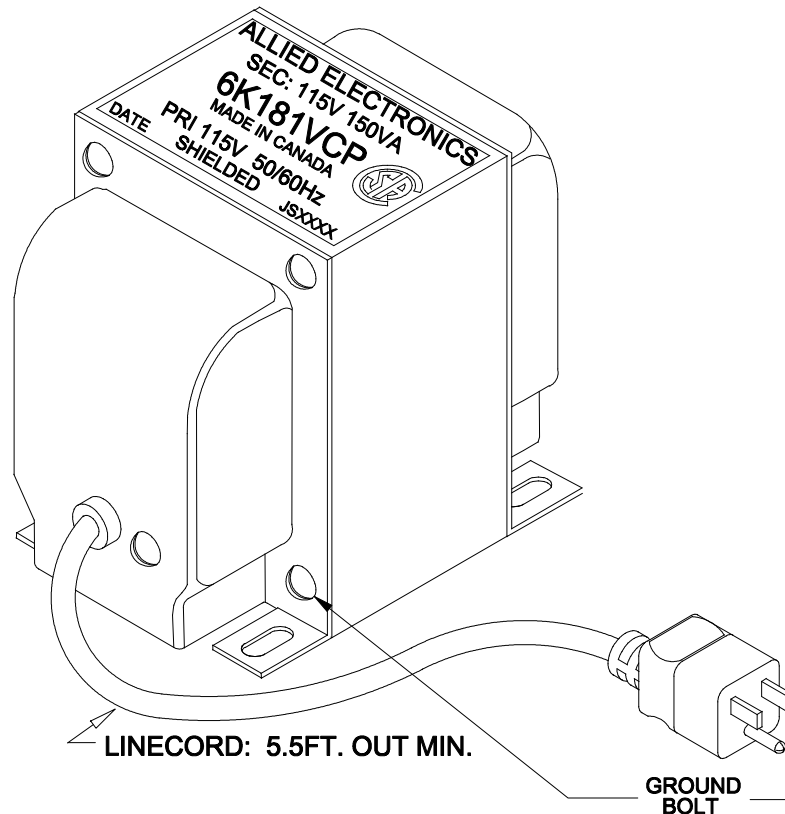
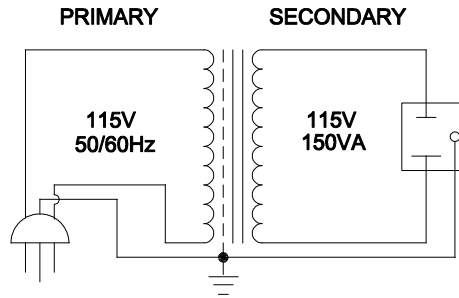


6K181VCP

**DIMENSIONS:**

|   |                        |
|---|------------------------|
| A | 3.250" ±0.063          |
| B | 4.438" ±0.125          |
| C | 3.875" ±0.063          |
| D | 2.500" ±0.063          |
| E | 3.063" ±0.063          |
| G | 0.203" x 0.375" ±0.015 |



| REV.NO. | REVISION  | DATE          | Hammond Electronics Waterloo, Ontario Canada |                              |                               |
|---------|-----------|---------------|--|------------------------------|-------------------------------|
| 0       | RELEASED. | C.I. 11/28/12 | DWG. BY: C. ILIE                             | TITLE: ISOLATION TRANSFORMER | DWG.NO. 6K181VCP<br>SH 1 OF 1 |
|         |           |               | DATE: 11/28/12                               |                              |                               |
|         |           |               | CHK'D BY:                                    |                              |                               |
|         |           |               | APP'D. BY:                                   |                              |                               |