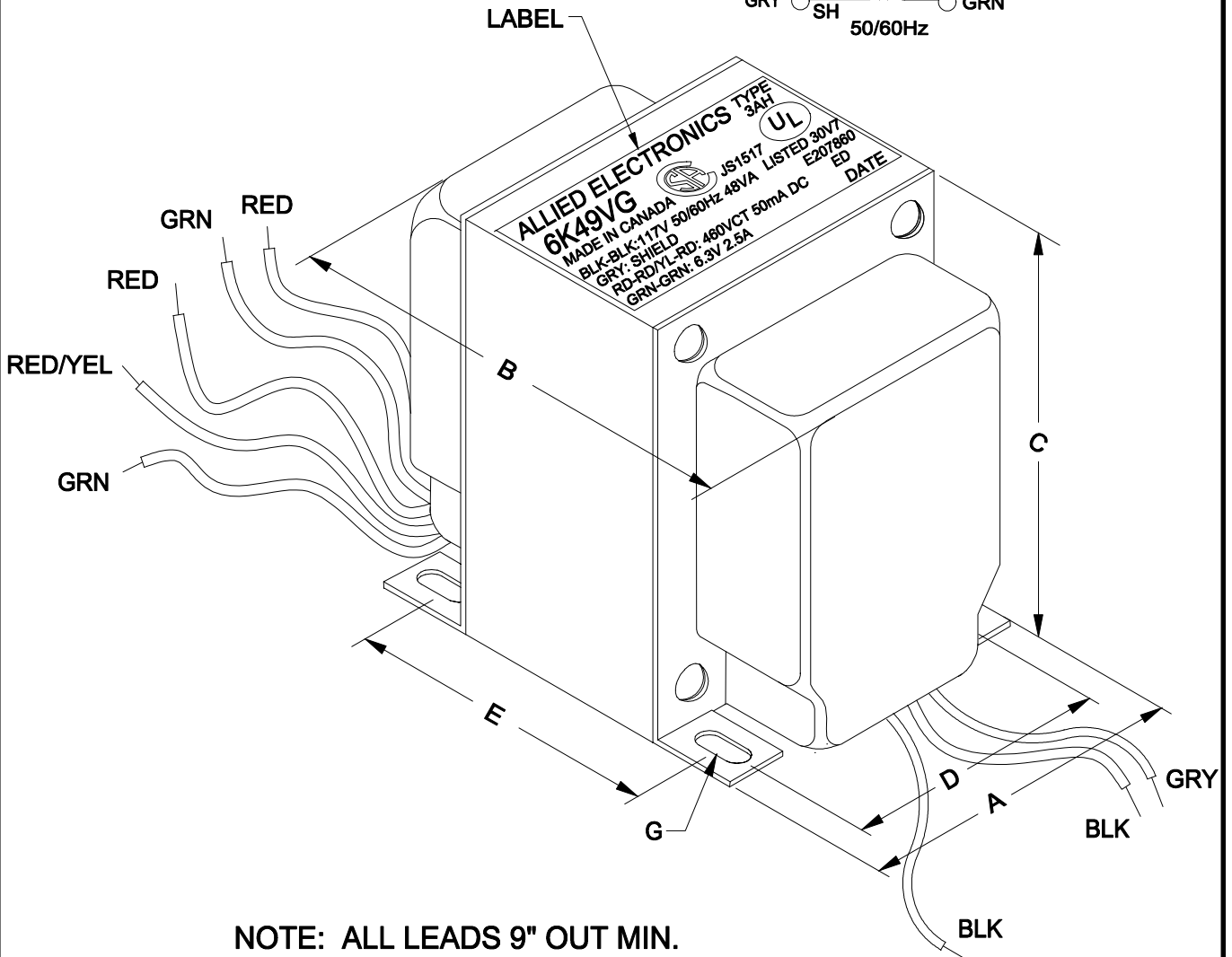
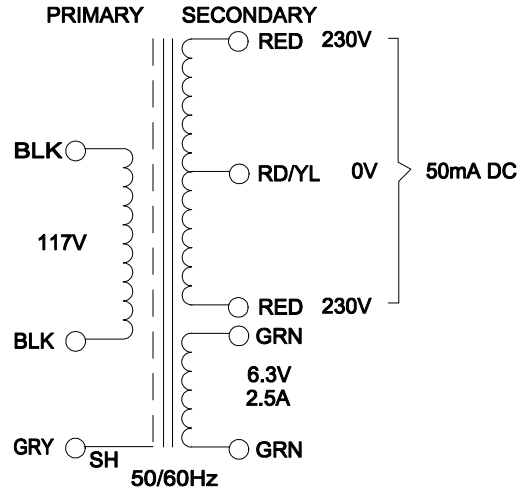


EDB6K49VG

| DIMENSIONS: | |
|-------------|------------------------|
| A | 2.500" ±0.063 |
| B | 2.560" ±0.125 |
| C | 3.060" ±0.063 |
| D | 2.000" ±0.063 |
| E | 1.563" ±0.063 |
| G | 0.203" x 0.375" ±0.015 |



ELECTRONIC DIVISION
 52 RANKIN PLACE,
 WATERLOO, ONTARIO, N2J 3Z5
 PH # (519) 886-6181
 FAX # (519) 886-9540

TITLE
 6K49VG

| NO | DATE | REVISION | DWG. BY |
|----|----------|-----------|------------------|
| 0 | 12/06/10 | RELEASED. | C.I. CORINA ILIE |
| | | | DATE |
| | | | 12/06/10 |
| | | | DIM IN(Ø)MM() |

EDB6K49VG