



## Main

Range of product	Twido
Accessory / separate part category	Separate parts
Accessory / separate part type	Module
Accessory / separate part designation	Module with integrated serial link adaptor
Product compatibility	TWDLMDA20DRT TWDLMDA20DTK TWDLMDA20DUK TWDLMDA40DTK TWDLMDA40DUK
Accessory / separate part destination	Modular base controller
Communication port support	RS232C
Electrical connection	1 connector

## Complementary

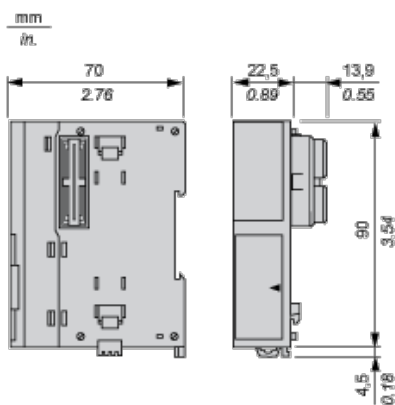
Connector type	Mini DIN
Pin number	8
Product weight	0.19 lb(US) (0.085 kg)

## Environment

## Contractual warranty

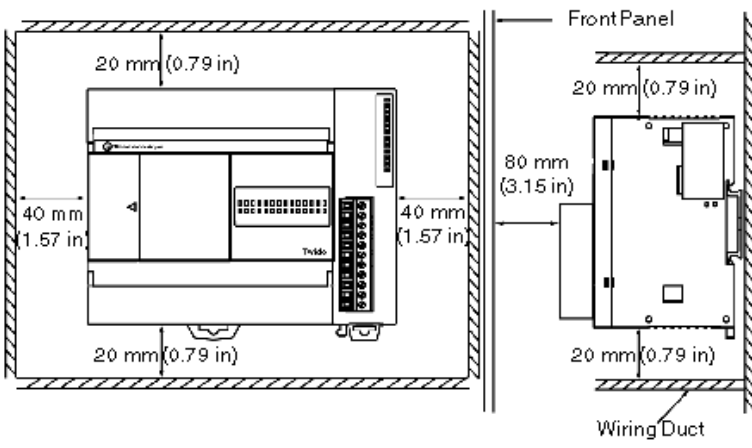
Warranty period	18 months
-----------------	-----------

## Dimensions



## Minimum Clearances

For a Compact Base and Expansion I/O Modules



**For a Modular Base and Expansion I/O Modules**

