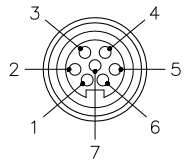
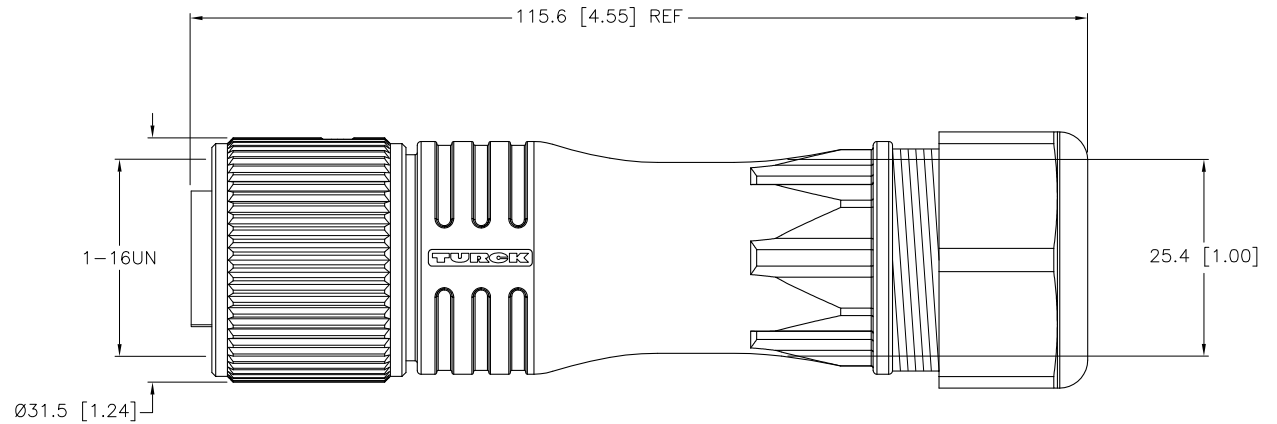
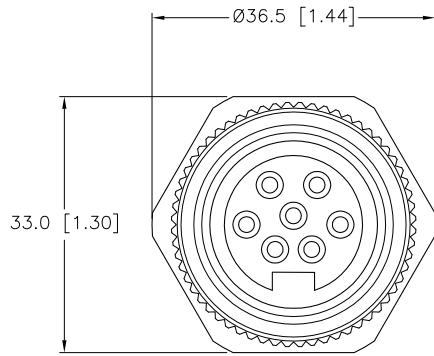


FEMALE END VIEW



SPECIFICATIONS

CONTACT CARRIER MATERIAL/COLOR	NYLON/BLACK
MOLDED HEAD MATERIAL/COLOR	NYLON/BLACK
CONTACT MATERIAL/PLATING	BRASS/GOLD
COUPLING NUT MATERIAL/PLATING	BRASS/NICKEL
RATED CURRENT [A]	8.0 A
RATED VOLTAGE [V]	600 V
CABLE RANGE	9.0 mm to 16.0 mm
TEMPERATURE RATING	-40°C to +105°C (-40°F to +221°F)
PROTECTION CLASS	MEETS IEC IP67



SOURCE DRAWING - FOR REFERENCE ONLY

RELATED DOCUMENTS 1. 2. 3. 4.	3RD ANGLE PROJECTION 	THIS DRAWING IS PROPERTY OF TURCK INC. USE OF THIS DOCUMENT WITHOUT WRITTEN PERMISSION IS PROHIBITED.		3000 CAMPUS DRIVE MINNEAPOLIS, MN 55441 1-800-544-7769 (763) 553-7300 (763) 553-0708 fax turck.com	
	MATERIAL SEE SPECIFICATIONS	ALL DIMENSIONS DISPLAYED ON THIS DRAWING ARE FOR REFERENCE ONLY	DRFT PJ DATE 02/06/07	DESCRIPTION B 7171-0/21	
FINISH SEE SPECIFICATIONS	CONTACT TURCK FOR MORE INFORMATION		DSGN SCALE 1=1.0	IDENTIFICATION NO. U2-04067	
DO NOT SCALE THIS DRAWING		FILE: U2-04067		SHEET 1 OF 1	

B	UPDATE PROTECTION CLASS	RDS	05/29/08	21328
REV	DESCRIPTION	BY	DATE	ECO NO.