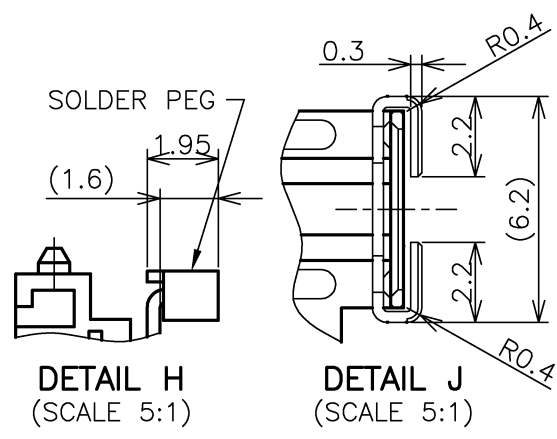
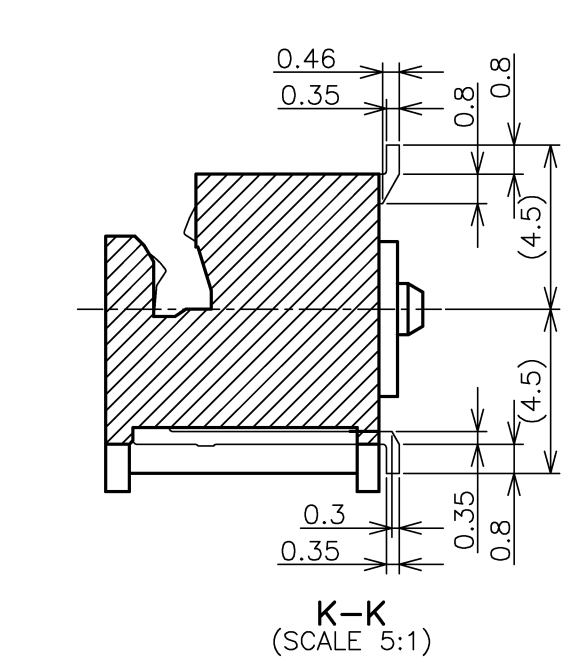
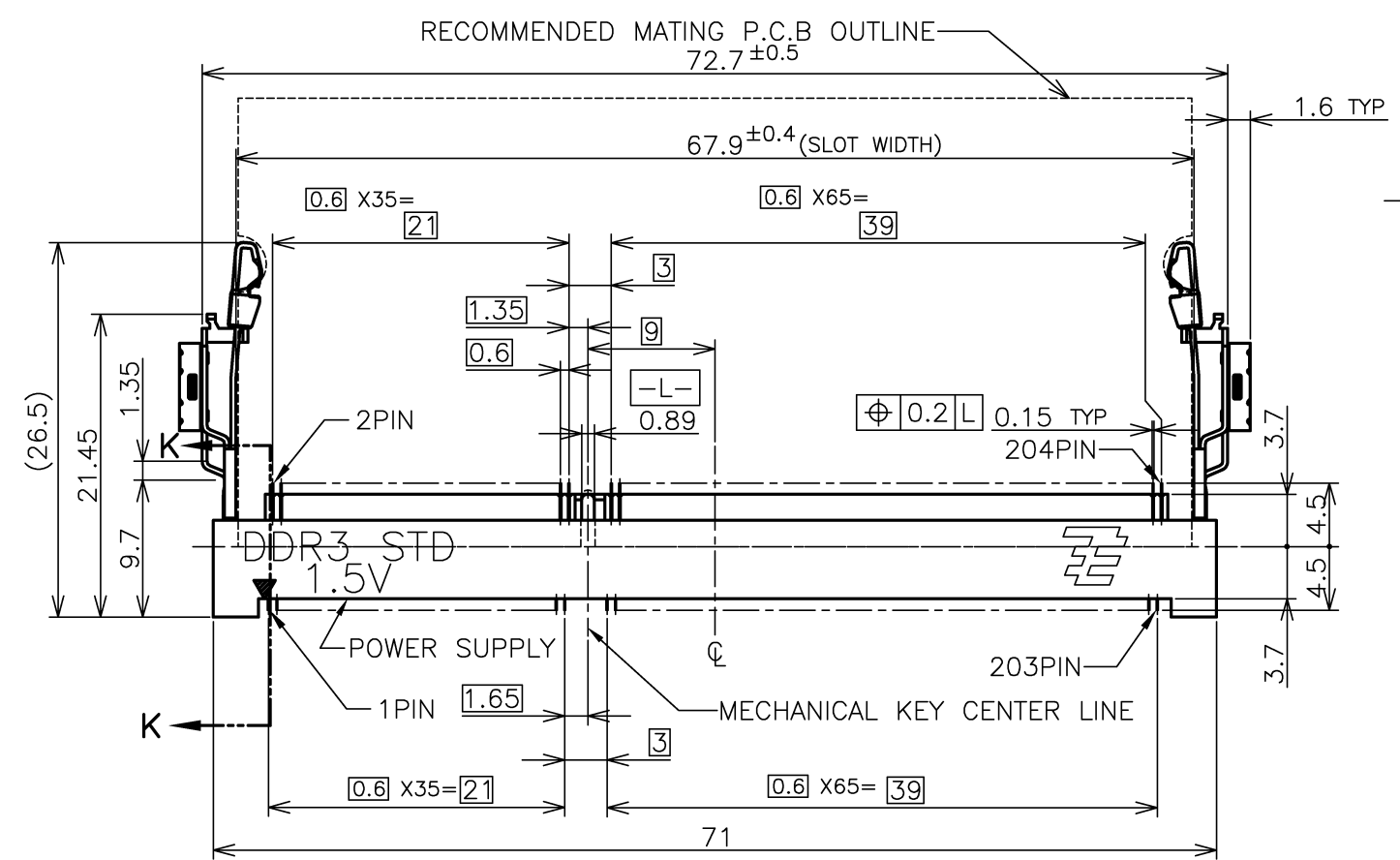
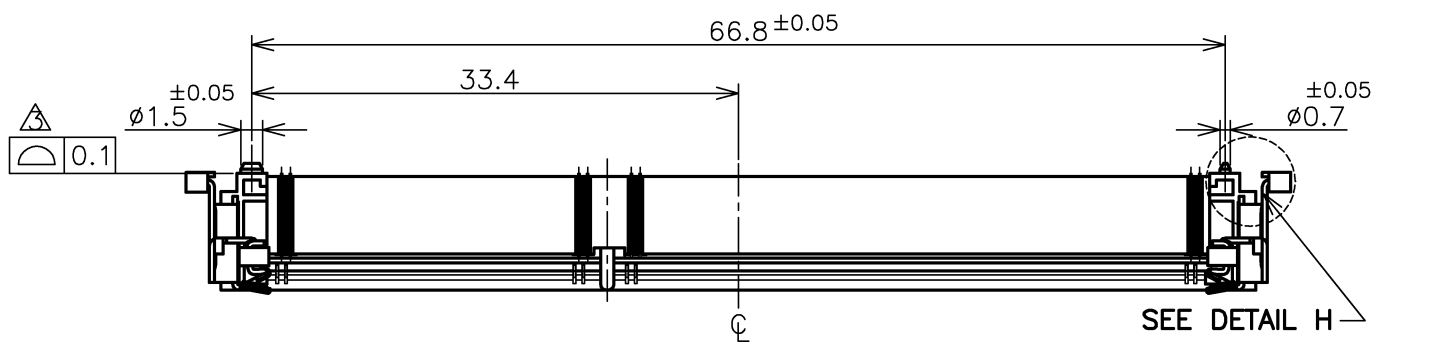


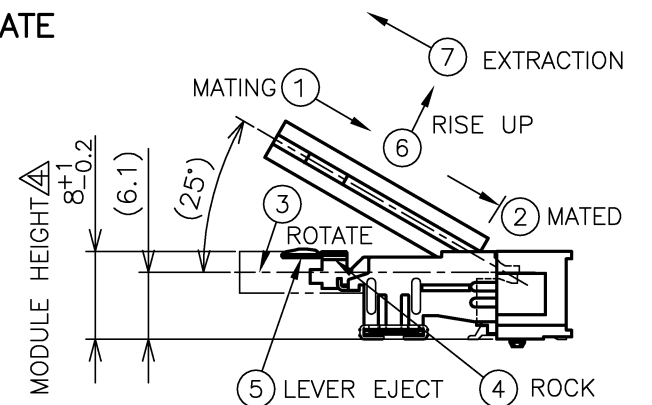
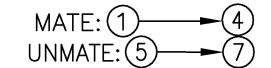
THIS DRAWING IS UNPUBLISHED. RELEASED FOR PUBLICATION SEP. 2007.  
 © COPYRIGHT 2007 BY TYCO ELECTRONICS CORPORATION. ALL RIGHTS RESERVED.

LOC	DIST	REVISIONS					
P	LTR	DESCRIPTION	DATE	DWN	APVD		
J		C1	REVISED	ECR-08-019047	30JUL2008	T.F	K.I



GENERAL TOLERANCE  
 10 ≥ ±0.2  
 30 ≥ >10: ±0.25  
 100 ≥ >30: ±0.3  
 ANGLES: ±3°

**HOW TO MATE AND UNMATE**



(APPLIED TO SHEET 1-3)

- MATERIAL ; HOUSING: HIGH TEMPERATURE THERMO PLASTIC UL94V-0  
 COLOR: SEE TABLE  
 CONTACT: COPPER ARROY  
 LOCK LEVER: STAINLESS STEEL  
 PEG: COPPER ARROY
  - 2-1. FINISH ; CONTACT AREA: GOLD FLASH  
 ALL OVER NICKEL.  
 SOLDERING AREA: GOLD FLASH PLATING  
 PEG: TIN PLATING
  - 2-2. FINISH ; CONTACT AREA: 0.000254MIN GOLD  
 ALL OVER NICKEL.  
 SOLDERING AREA: GOLD FLASH PLATING  
 PEG: TIN PLATING
  - 2-3. FINISH ; CONTACT AREA: 0.00076MIN GOLD  
 ALL OVER NICKEL.  
 SOLDERING AREA: GOLD FLASH PLATING  
 PEG: TIN PLATING
- △ COPLANARITY: 0.1 MAX. (BEFORE SOLDERING)  
 △ THE FLOATING VALUE BY SOLDERING IS NOT INCLUDED.  
 △ NOT MATING CONDITION.
6. IF THE MODULE DOESN'T INSERT AND LOCK IN THE LATCH SMOOTHLY, OPEN WIDE BOTH LATCHES BY MANUAL. AND THE MODULE MUST BE INSERTED AND LOCKED IN THE LATCH.

THIS DRAWING IS A CONTROLLED DOCUMENT.		DWN T.FUMIKURA 18SEP2007	Tyco Electronics Corporation Kawasaki, Japan	
DIMENSIONS: MM		CHK K.IKEGAMI 18SEP2007	NAME DDR3 SODIMM SOCKET 0.6mm PITCH 204POS 8.0mm HEIGHT STANDARD TYPE	
TOLERANCES UNLESS OTHERWISE SPECIFIED:		APVD K.IKEGAMI 18SEP2007	PRODUCT SPEC 108-78493	
0 PLC ± 1 PLC ± 2 PLC ± 3 PLC ± 4 PLC ± ANGLES ±		APPLICATION SPEC		
MATERIAL		FINISH	SIZE A3	CAGE CODE 00779
		WEIGHT 5.8g	DRAWING NO C-2013297	RESTRICTED TO
		CUSTOMER DRAWING		SCALE 2:1
		SHEET 1 OF 6		REV C1

4

3

2

1

THIS DRAWING IS UNPUBLISHED. RELEASED FOR PUBLICATION SEP .2007.  
 © COPYRIGHT 2007 BY TYCO ELECTRONICS CORPORATION. ALL RIGHTS RESERVED.

LOC	DIST	REVISIONS				
P	LTR	DESCRIPTION	DATE	DWN	APVD	
		SEE SHEET 1	-	-	-	

TOOLING STATUS	PACAGKING TYPE	BOSS TYPE	HOUSING COLOR	FINISH	POWER SUPPLY	POS	PART NO.
AVAILABLE	ENBOSS (SEE SHEET 6)	BOSSLESS	GRAY	NOTE 2-3	1.5V	204	3-2013297-6
AVAILABLE	ENBOSS (SEE SHEET 6)	BOSSLESS	GRAY	NOTE 2-2	1.5V	204	3-2013297-5
AVAILABLE	ENBOSS (SEE SHEET 6)	BOSSLESS	GRAY	NOTE 2-1	1.5V	204	3-2013297-4
AVAILABLE	ENBOSS (SEE SHEET 6)	WITH BOSS	BLACK	NOTE 2-3	1.5V	204	2-2013297-3
AVAILABLE	ENBOSS (SEE SHEET 6)	WITH BOSS	BLACK	NOTE 2-2	1.5V	204	2-2013297-2
AVAILABLE	ENBOSS (SEE SHEET 6)	WITH BOSS	BLACK	NOTE 2-1	1.5V	204	2-2013297-1
AVAILABLE	SEMI-HARD TRAY (SEE SHEET 5)	BOSSLESS	GRAY	NOTE 2-3	1.5V	204	1-2013297-6
AVAILABLE	SEMI-HARD TRAY (SEE SHEET 5)	BOSSLESS	GRAY	NOTE 2-2	1.5V	204	1-2013297-5
AVAILABLE	SEMI-HARD TRAY (SEE SHEET 5)	BOSSLESS	GRAY	NOTE 2-1	1.5V	204	1-2013297-4
AVAILABLE	SEMI-HARD TRAY (SEE SHEET 5)	WITH BOSS	BLACK	NOTE 2-3	1.5V	204	2013297-3
AVAILABLE	SEMI-HARD TRAY (SEE SHEET 5)	WITH BOSS	BLACK	NOTE 2-2	1.5V	204	2013297-2
AVAILABLE	SEMI-HARD TRAY (SEE SHEET 5)	WITH BOSS	BLACK	NOTE 2-1	1.5V	204	2013297-1

THIS DRAWING IS A CONTROLLED DOCUMENT.

DIMENSIONS:  
MM



TOLERANCES UNLESS OTHERWISE SPECIFIED:

0 PLC	±
1 PLC	±
2 PLC	±
3 PLC	±
4 PLC	±
ANGLES	±

MATERIAL

FINISH

DWN
CHK
APVD
PRODUCT SPEC
APPLICATION SPEC
WEIGHT
CUSTOMER DRAWING

**Tyco Electronics** Tyco Electronics Corporation  
Kawasaki, Japan

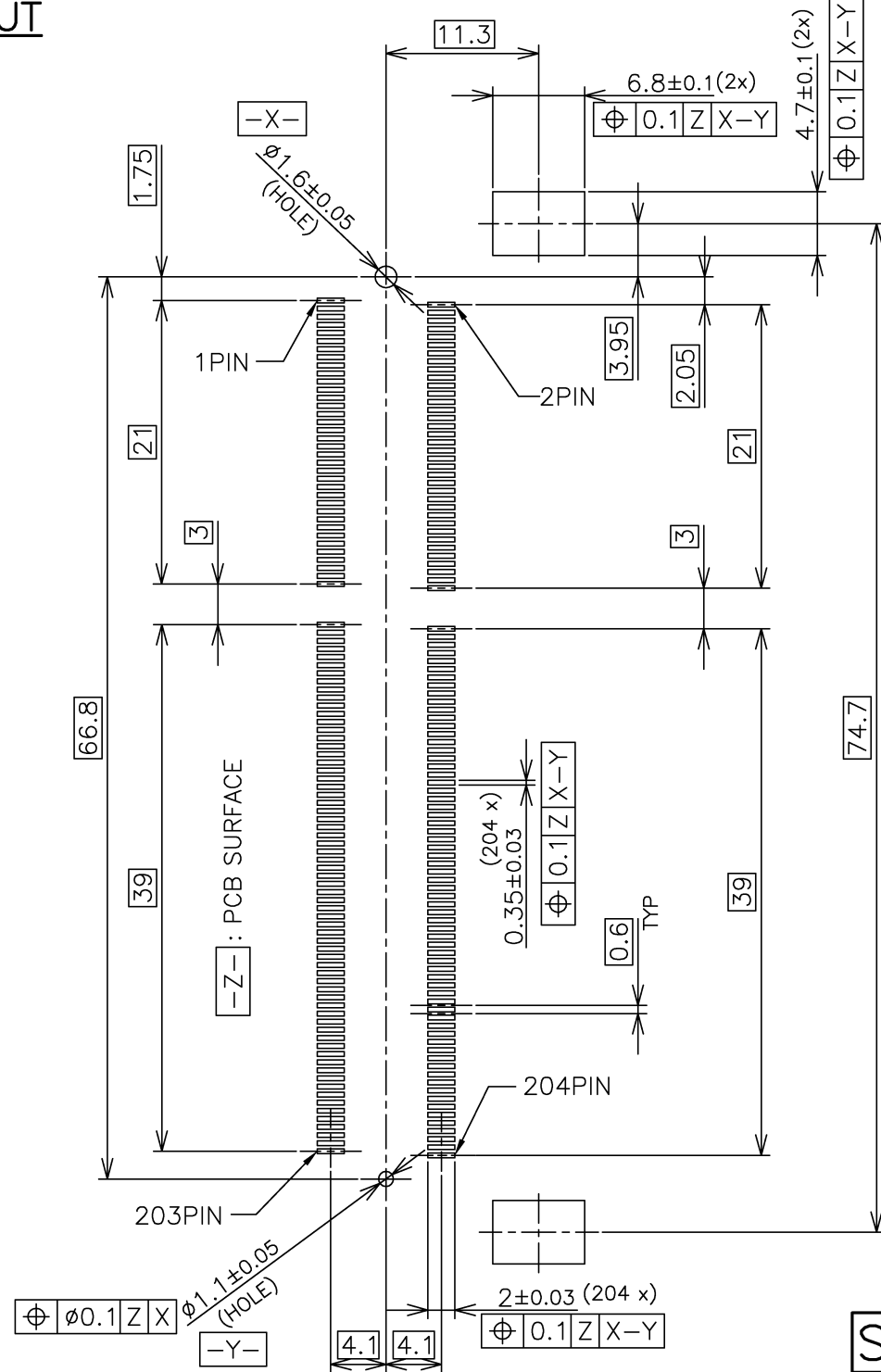
NAME: DDR3 SODIMM SOCKET  
0.6mm PITCH 204POS  
8.0mm HEIGHT STANDARD TYPE

SIZE	CAGE CODE	DRAWING NO	RESTRICTED TO
A3	00779	C-2013297	-

SCALE: 2:1 SHEET 2 OF 6 REV C1

LOC	DIST	REVISIONS			
P	LTR	DESCRIPTION	DATE	DWN	APVD
J		SEE SHEET 1	-	-	-

# REFERENCE P.C.BOARD PATTERN LAYOUT (CONNECTOR MOUNTING SIDE)

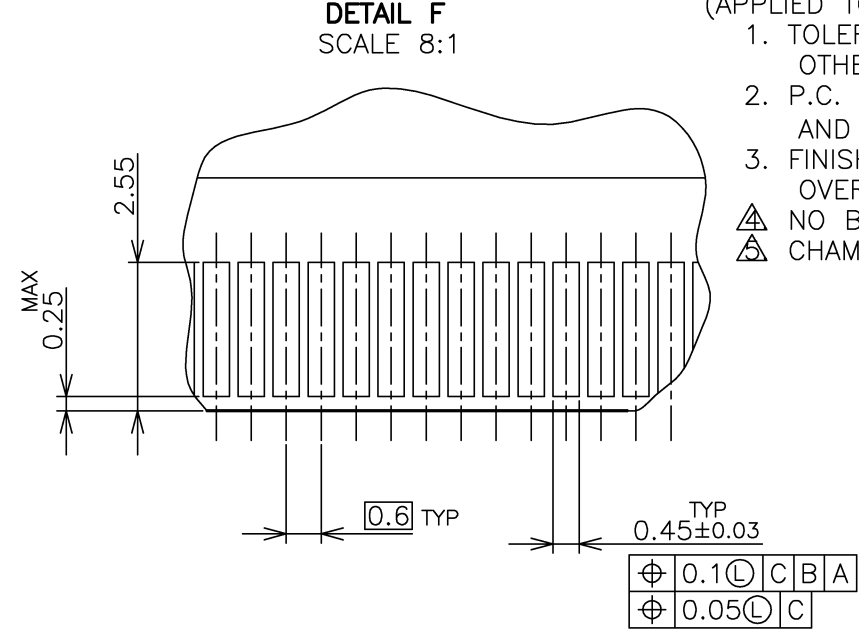
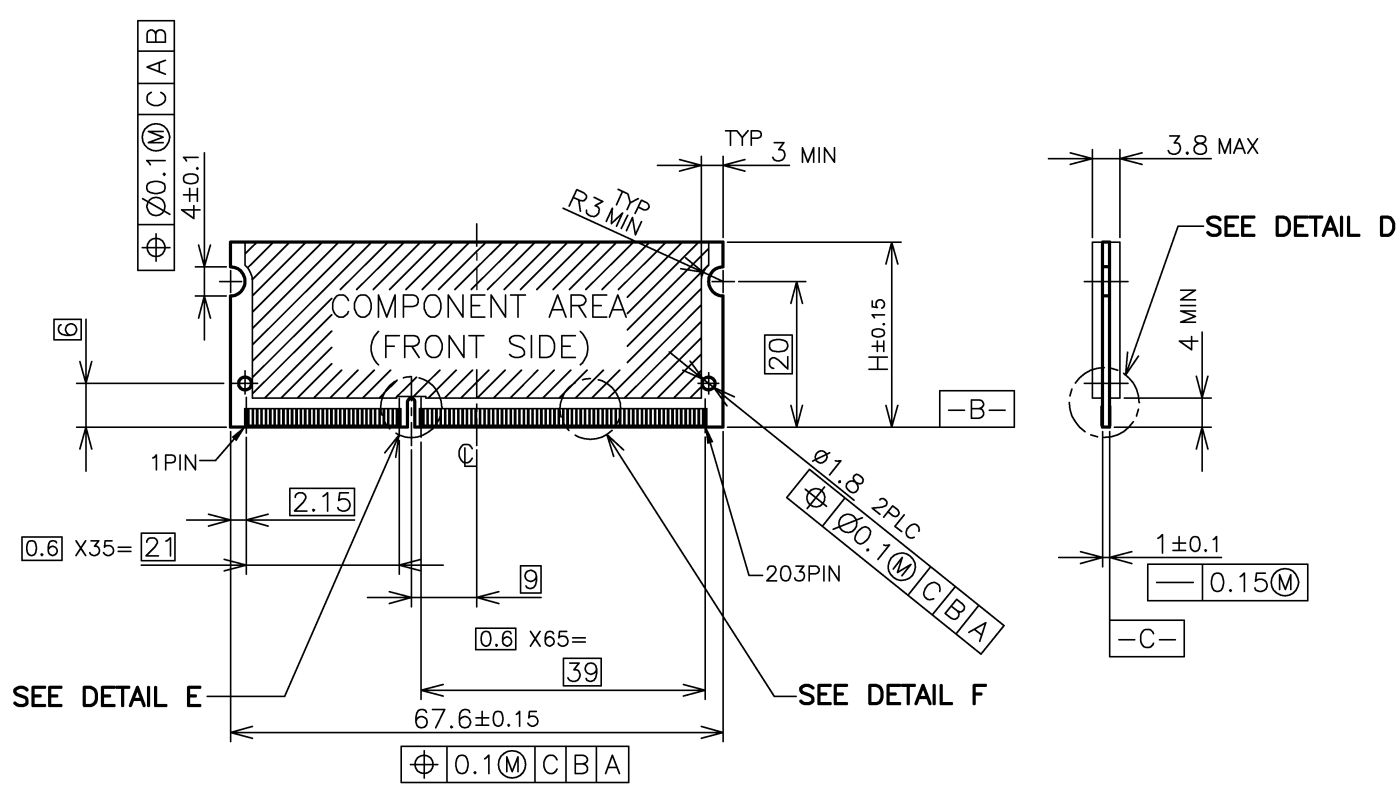


STD TYPE

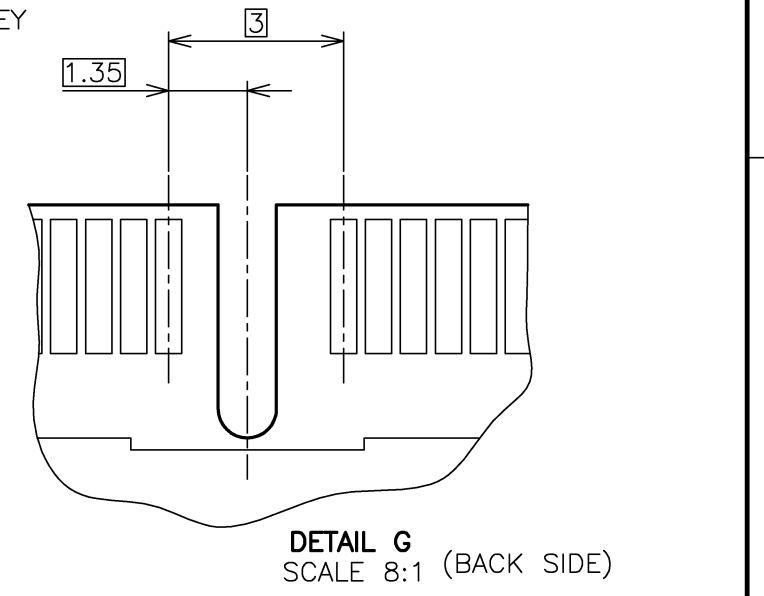
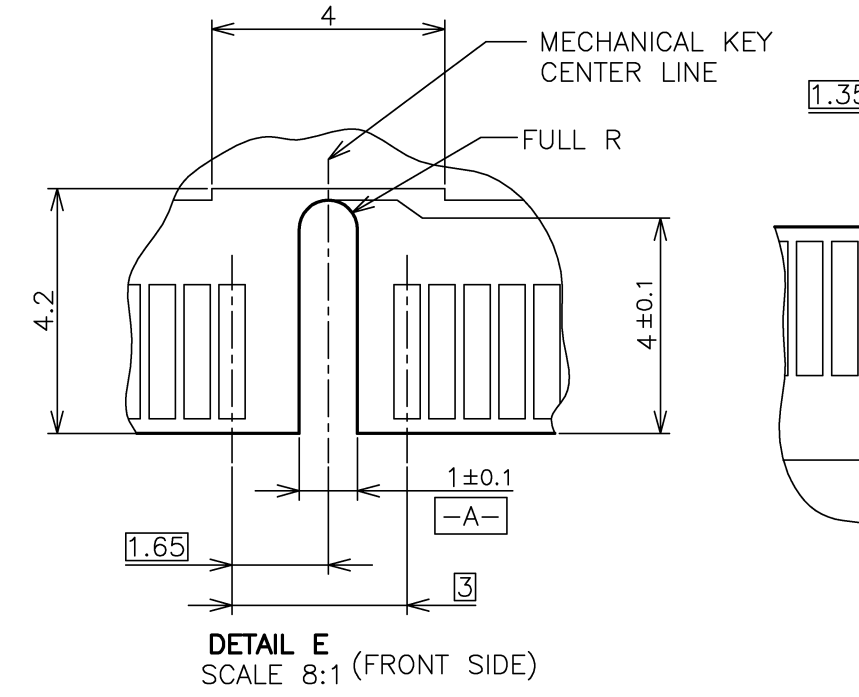
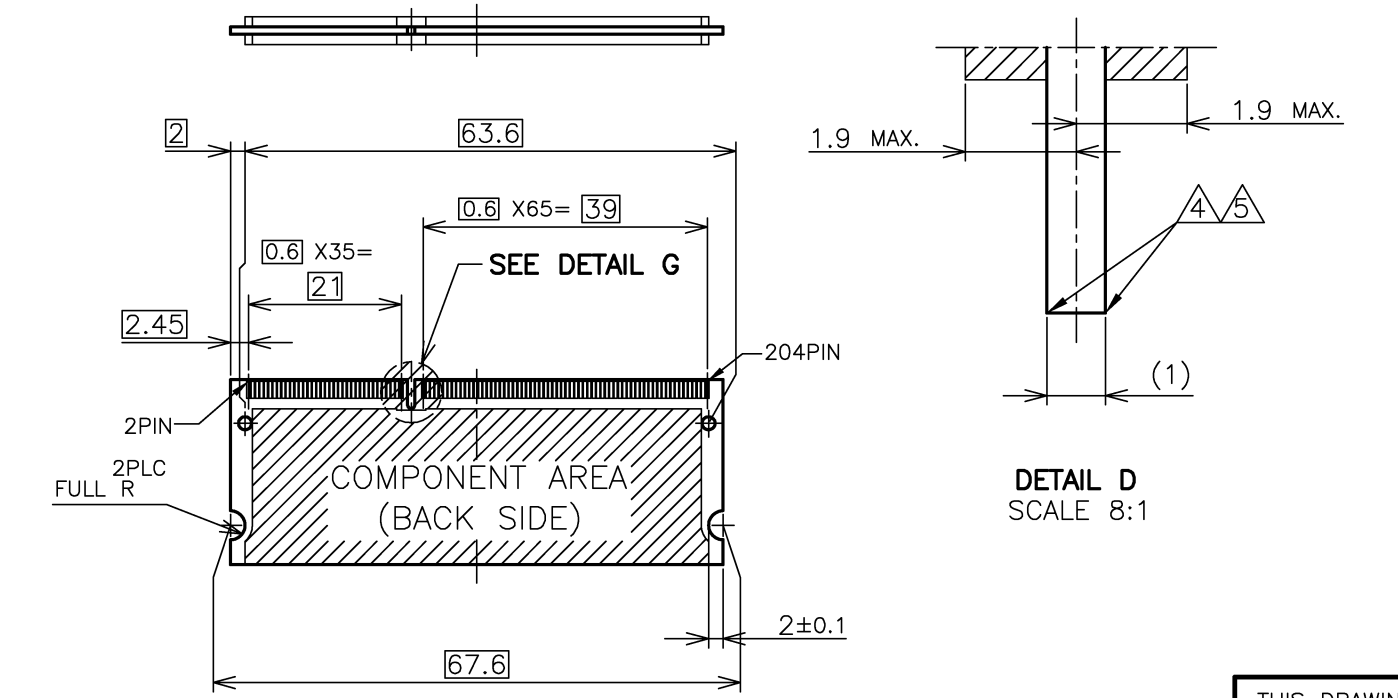
THIS DRAWING IS A CONTROLLED DOCUMENT.		DWN		Tyco Electronics Corporation Kawasaki, Japan	
DIMENSIONS: MM		CHK		NAME	
TOLERANCES UNLESS OTHERWISE SPECIFIED:		APVD		DDR3 SODIMM SOCKET 0.6mm PITCH 204POS 8.0mm HEIGHT STANDARD TYPE	
0 PLC ±		PRODUCT SPEC		SIZE	
1 PLC ±		APPLICATION SPEC		CAGE CODE	
2 PLC ±		WEIGHT		DRAWING NO	
3 PLC ±		CUSTOMER DRAWING		RESTRICTED TO	
4 PLC ±		SCALE		SHEET	
ANGLES ±		2:1		3 OF 6	
FINISH		REV		C1	
MATERIAL		A3		00779	
		G-2013297			

LOC		DIST		REVISIONS		
P	LTR	DESCRIPTION	DATE	DWN	APVD	
		SEE SHEET 1				

# REFERENCE MATING P.C.B CONFIGURATION



- (APPLIED TO SHEET 4)
- TOLERANCES ON ALL DIMENSIONS ±0.15 UNLESS OTHERWISE SPECIFIED.
  - P.C. BOARD THICKNESS APPLIES ACROSS TABS AND INCLUDES PLATING AND/OR METALIZATION.
  - FINISH OF PAD : GOLD PLATING 0.00076 MIN. OVER Ni PLATING 0.002MIN.
- ▲ NO BURR  
 ▲ CHAMFER 0.25 MAX x 45° IF EXIST.

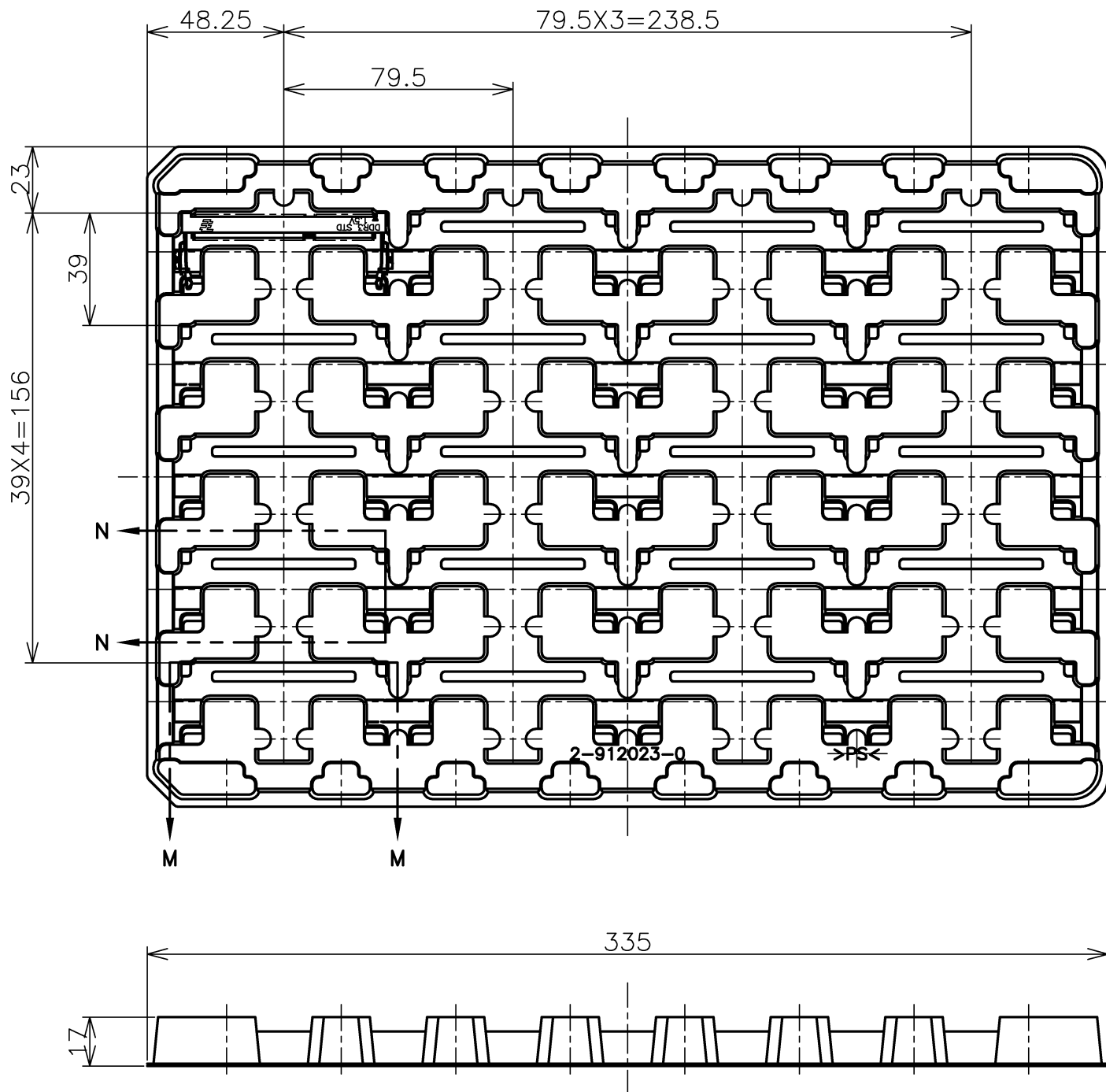


30	CA
31.75	BA
25.4	AA
H	SDRAM VARIATIONS

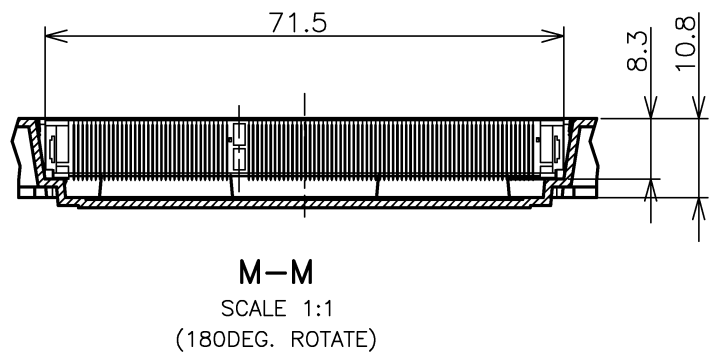
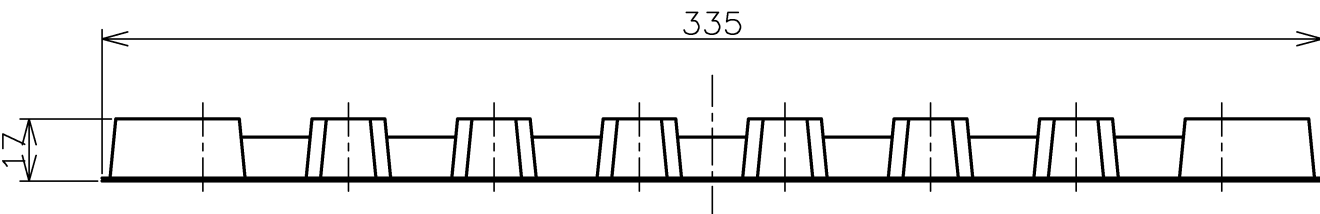
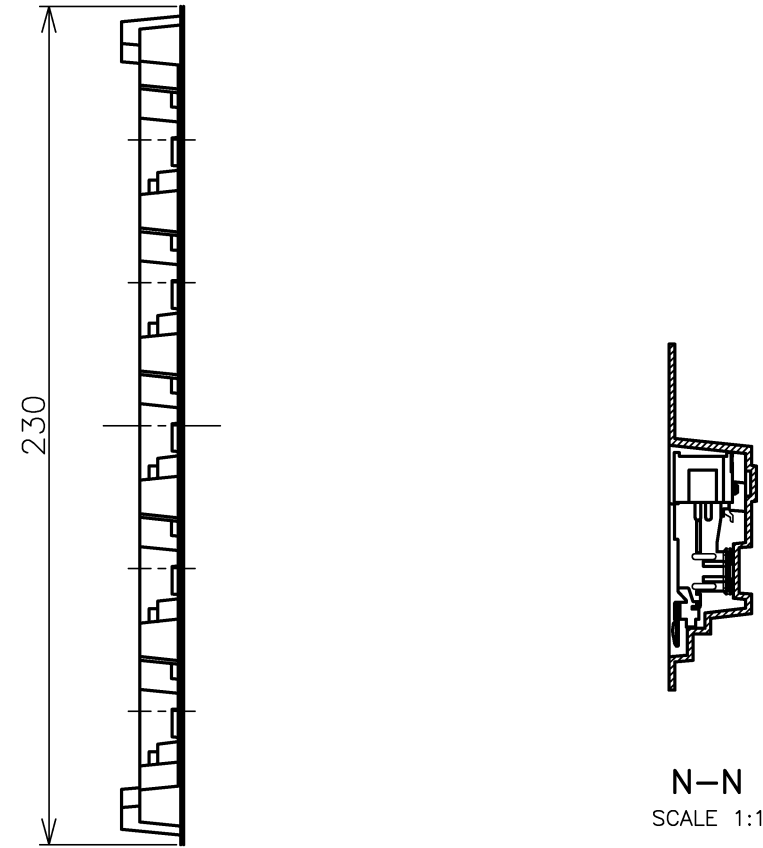
THIS DRAWING IS A CONTROLLED DOCUMENT.		DWN		Tyco Electronics Corporation Kawasaki, Japan	
DIMENSIONS: MM		CHK		NAME	
TOLERANCES UNLESS OTHERWISE SPECIFIED:		APVD		DDR3 SODIMM SOCKET 0.6mm PITCH 204POS 8.0mm HEIGHT STANDARD TYPE	
0 PLC ±		PRODUCT SPEC		SIZE CAGE CODE DRAWING NO RESTRICTED TO	
1 PLC ±		APPLICATION SPEC		A3 00779 C-2013297	
2 PLC ±		WEIGHT		SCALE SHEET OF REV	
3 PLC ±		CUSTOMER DRAWING		2:1 4 OF 6 C1	
4 PLC ±					
ANGLES ±					
FINISH					

THIS DRAWING IS UNPUBLISHED. RELEASED FOR PUBLICATION SEP ,2007.  
 © COPYRIGHT 2007 BY TYCO ELECTRONICS CORPORATION. ALL RIGHTS RESERVED.

LOC	DIST	REVISIONS			
P	LTR	DESCRIPTION	DATE	DWN	APVD
J	/	SEE SHEET 1	-	-	-



(APPLIED TO SHEET 5)  
 1. THE DIRECTION OF EACH CONNECTOR ON A TRAY IS REFERRED TO THIS DRAWING.  
 2. GENERAL TOLERANCE:  $\pm 0.5$ ,  $\pm 3'$

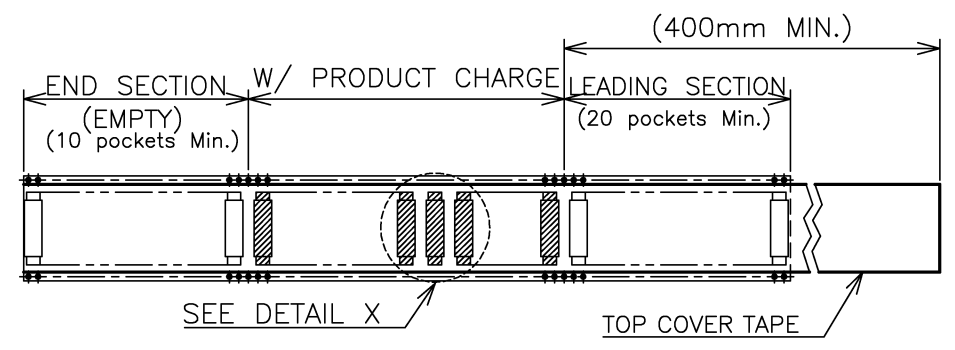
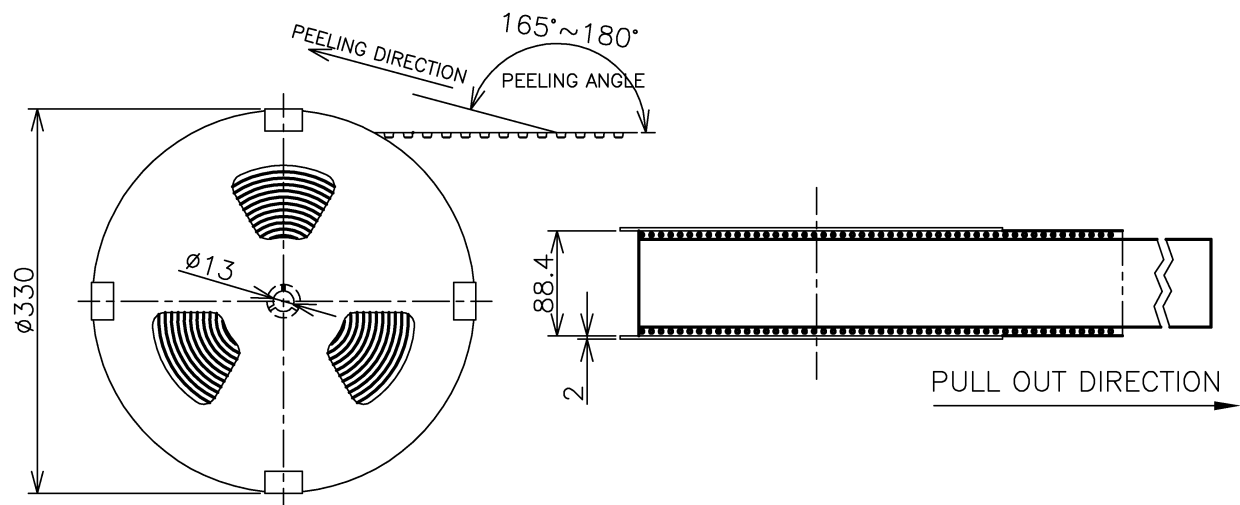


THIS DRAWING IS A CONTROLLED DOCUMENT.		DWN		Tyco Electronics Corporation Kawasaki, Japan	
DIMENSIONS: MM		CHK		NAME	
TOLERANCES UNLESS OTHERWISE SPECIFIED:		APVD		DDR3 SODIMM SOCKET 0.6mm PITCH 204POS 8.0mm HEIGHT STANDARD TYPE	
0 PLC $\pm 0.5$		PRODUCT SPEC		SIZE	
1 PLC $\pm 0.5$		APPLICATION SPEC		CAGE CODE	
2 PLC $\pm 0.5$		WEIGHT		DRAWING NO	
3 PLC $\pm 0.5$		CUSTOMER DRAWING		RESTRICTED TO	
4 PLC $\pm 0.5$				A3 00779 C-2013297	
ANGLES $\pm 3'$				SCALE 1:2	
MATERIAL				SHEET 5 OF 6	
FINISH				REV C1	

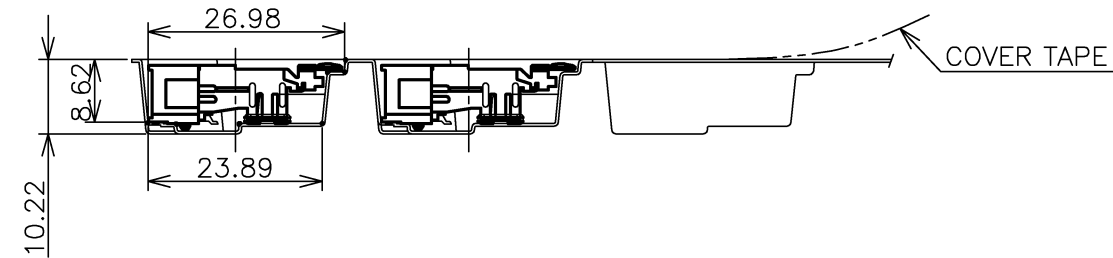
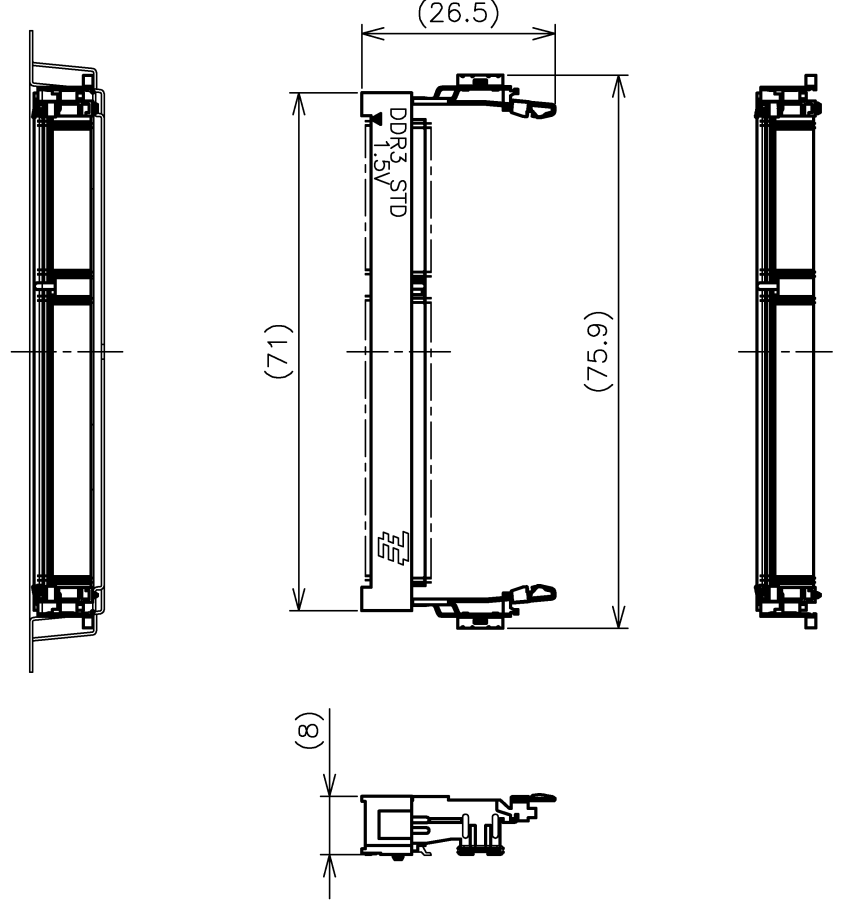
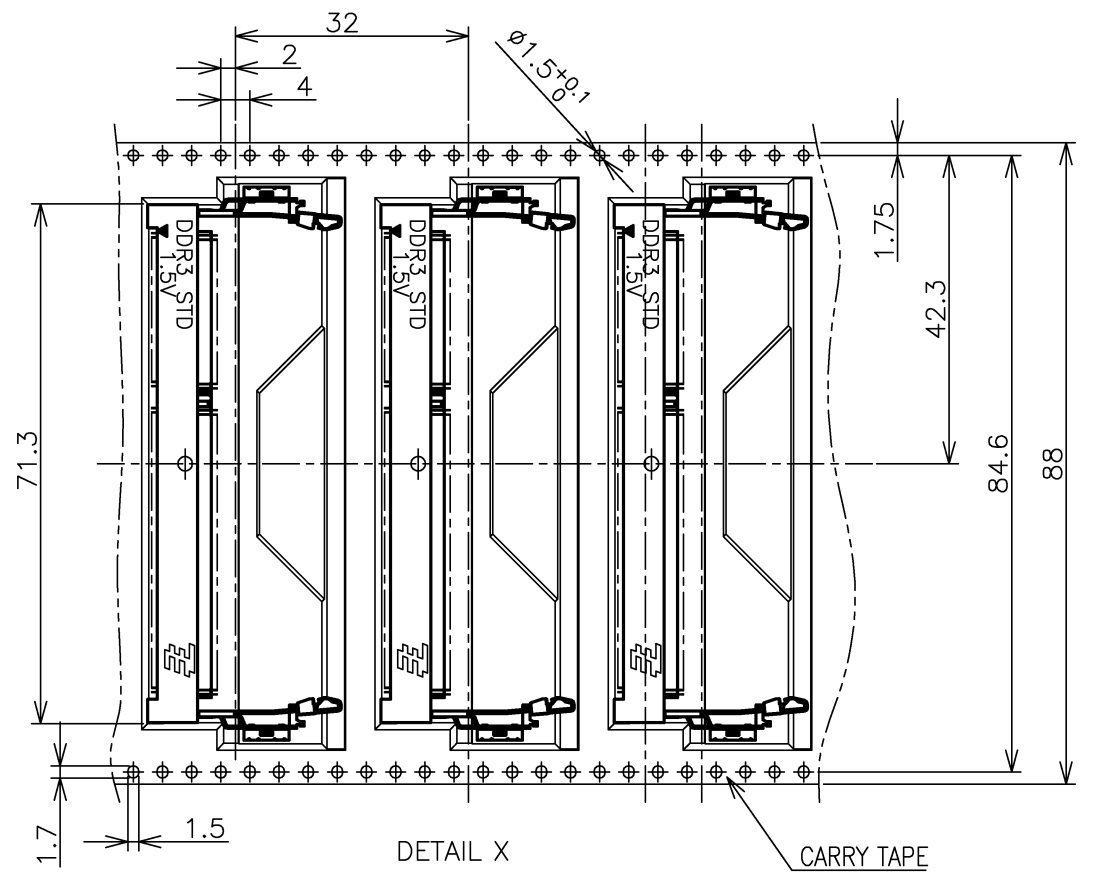
200EA	20EA	*-2013297-*
QTY/BOX	QTY/TRAY	PART NO.

THIS DRAWING IS UNPUBLISHED. RELEASED FOR PUBLICATION SEP. 2007.  
 © COPYRIGHT 2007 BY TYCO ELECTRONICS CORPORATION. ALL RIGHTS RESERVED.

LOC		DIST		REVISIONS			DATE	DWN	APVD
P	LTR	DESCRIPTION							
		SEE SHEET 1			-	-	-	-	



- (APPLIED TO SHEET 6)
1. THE DIRECTION OF EACH CONNECTOR ON A EMBOSS IS REFERRED TO THIS DRAWING.
  2. GENERAL TOLERANCE:  $\pm 0.5$ ,  $\pm 3^\circ$



THIS DRAWING IS A CONTROLLED DOCUMENT.		DWN		Tyco Electronics Corporation Kawasaki, Japan	
DIMENSIONS: MM		CHK		NAME	
TOLERANCES UNLESS OTHERWISE SPECIFIED:		APVD		DDR3 SODIMM SOCKET 0.6mm PITCH 204POS 8.0mm HEIGHT STANDARD TYPE	
0 PLC $\pm 0.5$		PRODUCT SPEC		SIZE CAGE CODE DRAWING NO RESTRICTED TO	
1 PLC $\pm 0.5$		APPLICATION SPEC		A3 00779 C-2013297	
2 PLC $\pm 0.5$		WEIGHT		SCALE 1:1 SHEET 6 OF 6 REV C1	
3 PLC $\pm 0.5$		CUSTOMER DRAWING			
4 PLC $\pm 0.5$					
ANGLES $\pm 3^\circ$					
MATERIAL FINISH					