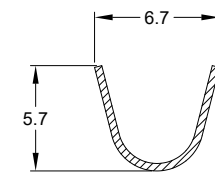
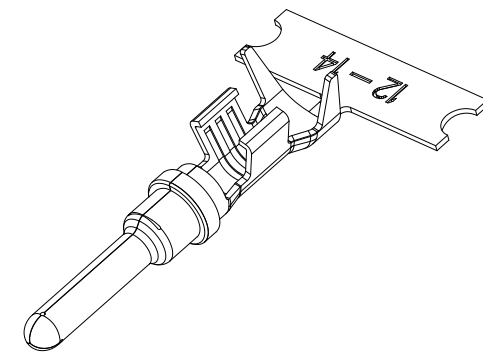
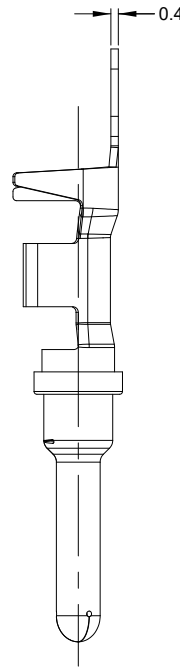
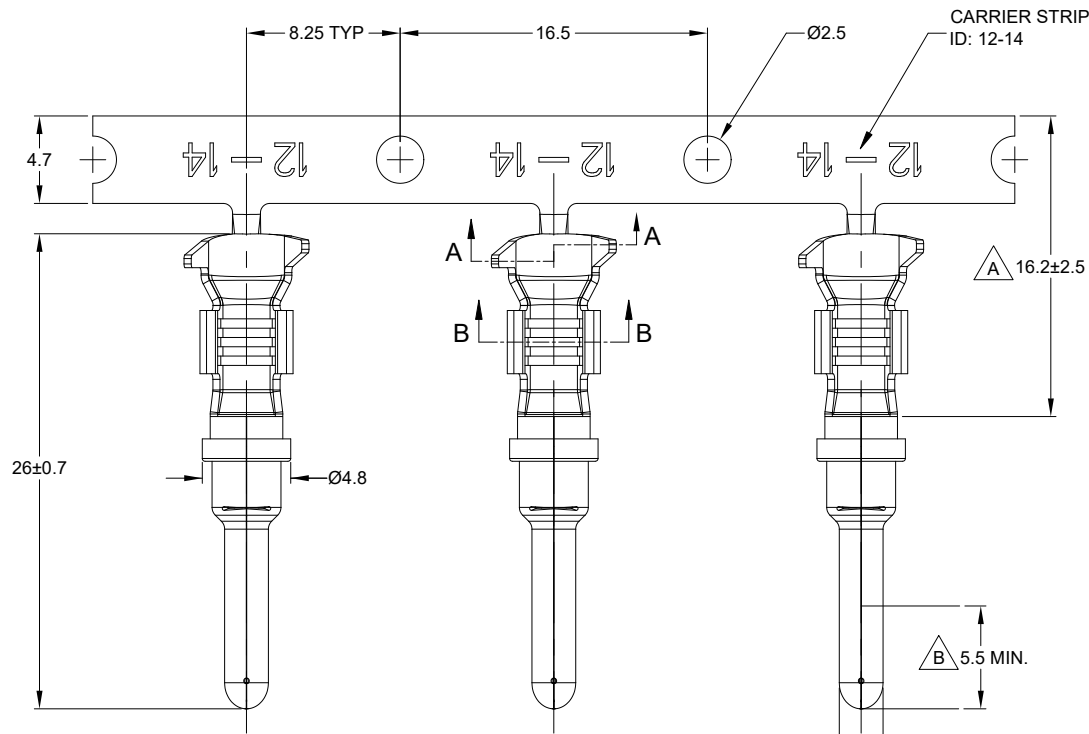
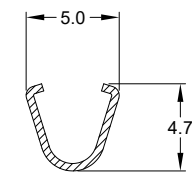


REVISIONS					
REV	ECO	DESCRIPTION	DATE	BY	APPR
A3	--	RELEASE NEW DWG FORMAT	21/OCT/13	DRP	-
A4	--	REVISED PLATING INFO	16/JUN/16	JAH	-
A5	C1070S	UPDATE DRAWING	21/JUN/19	JOE	TOMMY
B1	C1298S	UPDATE PLATING	14/SEP/20	SULLEN	TOMMY



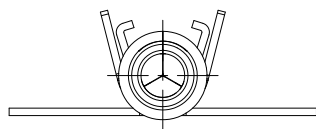
SECTION A-A



SECTION B-B

NOTES: UNLESS OTHERWISE SPECIFIED

- MATERIAL: COPPER ALLOY
- PLATING: SEE PART NUMBER CHART
- CONTACT SIZE: 12
- SPECIFICATIONS:
 - CURRENT RATING: 25 AMPS
 - CONTACT MILLIVOLT DROP: 100 MILLIVOLT DROP @ 25 AMP TEST CURRENT.
 - RoHS COMPLIANT
- RECOMMENDED WIRE RANGE: 12 - 14 AWG (4.0 - 2.0MM²)
RECOMMENDED INSUL O.D: 2.87 - 4.47MM (0.113 - 0.176INCH)
- PACKAGE: 2000 PCS/REEL
- AVAILABLE APPLICATORS: MFX-3973-K OR MFX-3973-G
- ALL DIMENSIONS ARE FOR REFERENCE USE ONLY



PART NUMBER CHART		
PLATING	PART NUMBER	PLATING DESCRIPTION
NICKEL	AT60-12-0166	SELECTIVE TIN OVER NICKEL OVERALL IN Δ ZONE
GOLD	AT60-12-0144	SELECTIVE GOLD FLASH OVER NICKEL OVERALL IN ∇ ZONE OR ENTIRE CONTACT
TIN	AT60-12-0177	TIN OVER NICKEL OVERALL

SEE PART NUMBER CHART		REF: 1060-12-0144, 1060-12-0166	
PART NUMBER		DESCRIPTION	
QUANTITY	MATERIALS LIST		
UNLESS OTHERWISE SPECIFIED 1) All dimensions are in metric(mm). 2) Tolerances are as follows: 1 PL DEC ±0.30 2 PL DEC ±0.15 3 PL DEC ±0.08 3) Note reference = Δ		SIGNATURES DATE DRAWN: SULLENZhang 14/SEP/20 CHECKED: ORONLI 15/SEP/20 ENGINEER: APPROVAL: TOMMYXIE 18/SEP/20 CUSTOMER:	
MATERIAL SPECIFICATIONS:		<p>Sine Systems - www.amphenol-sine.com 44724 Morley Drive Clinton Township, MI 48036</p>	
PROCESS SPECIFICATIONS:		CONTACT, PIN, STAMPED, SIZE 12, 12-14 AWG, A SERIES	
NEXT ASSY:		THIS DRAWING IS SUPPLIED FOR INFORMATION ONLY. DESIGN FEATURES, SPECIFICATIONS AND PERFORMANCE DATA SHOWN HEREON ARE THE PROPERTY OF THE AMPHENOL CORPORATION. NO RIGHTS OF REPRODUCTION ARE IMPLIED. ALL DIMENSIONS ARE SUBJECT TO NORMAL MANUFACTURING VARIATIONS.	SIZE TYPE DWG NO. REVISION B C- AT60-12-01XX B1
		SCALE: NONE	SHEET 1 OF 1

TITLE: CONTACT, PIN, STAMPED, SIZE 12, 12-14 AWG, A SERIES
 DWG NO: AT60-12-01XX
 REV: B1
 SH: 1
 OF: 1