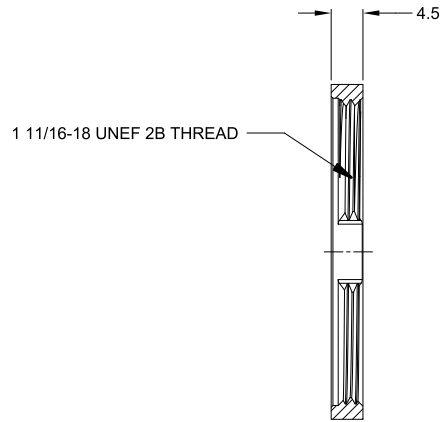
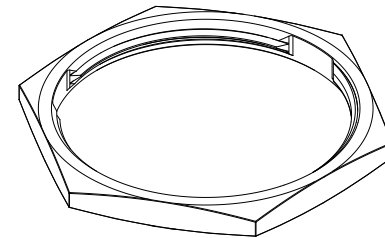
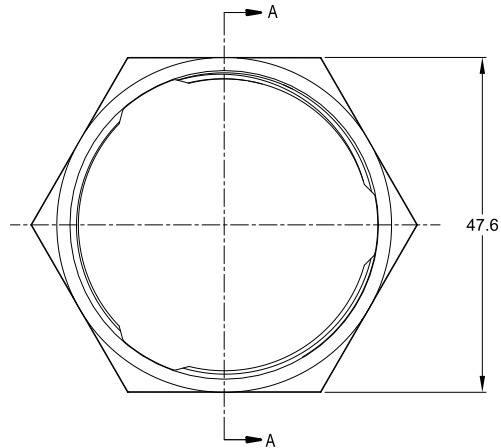


REVISIONS					
REV	ECO	DESCRIPTION	DATE	BY	APPR
A1	-	RELEASE NEW DRAWING	28/SEP/18	ROOKIE	TOMMY
A2	-	ADD MOUNTING TORQUE VALUE	23/JUN/20	LOUIE	TOMMY
A3	C1607S	CHANGE SURFACE TREATMENT	25/APR/22	IAN	TOMMY
A4	-	CHANGE MOUNTING TORQUE	03/MAR/23	LYCNH	TOMMY




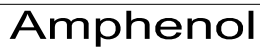
SECTION A-A



NOTES: UNLESS OTHERWISE SPECIFIED

1. MATERIAL: ALUMINIUM ALLOY,PASSIVATION.
2. USE WITH AHDM SERIES SIZE 24 RECEPTACLE. MOUNTING TORQUE IS 26-29 N.M
3. RoHS COMPLIANT.
4. ALL DIMENSIONS ARE FOR REFERENCE USE ONLY.

TITLE: NUT, AHDM SERIES, SIZE 24
 DWG NO.: A112263-90
 REV: A4
 SH: 1
 OF: 1

A112263-90		REF:112263-90	
QUANTITY	PART NUMBER	DESCRIPTION	ITEM
MATERIALS LIST			
UNLESS OTHERWISE SPECIFIED 1) All dimensions are in metric(mm). 2) Tolerances are as follows: 1 PL DEC ±0.30 2 PL DEC ±0.15 3 PL DEC ±0.08 3) Note reference = 		SIGNATURES DATE DRAWN: LYNCH 03/MAR/23 CHECKED: SULLEN 06/MAR/23 ENGINEER: APPROVAL: TOMMY 07/MAR/23	
MATERIAL SPECIFICATIONS: WEIGHT: 6.2g		<div style="text-align: center;">  Sine Systems - www.amphenol-sine.com 44724 Morley Drive Clinton Township, MI 48036 </div>	
PROCESS SPECIFICATIONS:		CUSTOMER: THIS DRAWING IS SUPPLIED FOR INFORMATION ONLY. DESIGN FEATURES, SPECIFICATIONS AND PERFORMANCE DATA SHOWN HEREON ARE THE PROPERTY OF THE AMPHENOL CORPORATION. NO RIGHTS OF REPRODUCTION ARE IMPLIED. ALL DIMENSIONS ARE SUBJECT TO NORMAL MANUFACTURING VARIATIONS.	
NEXT ASSY:	SCALE: NONE	SIZE: B C- TYPE: DURAMATE	DWG NO.: A112263-90 REVISION: A4 SHEET 1 OF 1