

# Technical Information

## Liquiphant FTL51B Density with Density Computer FML621

Vibronic



Density computer for liquids  
Also for use in hazardous areas

### Application

The density measuring line can be used in liquid media. It is used for the following purposes:

- Density measurement
- Intelligent medium detection
- Reference density calculation
- To calculate the concentration of a liquid
- To convert values to different units such as °Brix, °Baumé, °API etc.

### Advantages

- Measurement used directly in tanks or pipes without the need for additional pipework
- Integration of existing temperature measurements for temperature compensation
- Additional calculations, such as the concentration of a product, can be performed in the Density Computer FML621.

## Table of contents

<b>About this document</b> .....	<b>4</b>	<b>Performance characteristics</b> .....	<b>28</b>
Symbols .....	4	Reference operating conditions .....	28
<b>Application</b> .....	<b>4</b>	Measurement accuracy .....	28
Density measurement .....	4	<b>Mounting</b> .....	<b>29</b>
<b>Function and system design</b> .....	<b>7</b>	Installation instructions for Liquiphant Density .....	29
Measuring principle .....	7	Density Computer FML621 .....	32
System design .....	7	<b>Environment</b> .....	<b>32</b>
Specific density applications .....	7	Liquiphant Density .....	32
Measuring system .....	8	Density Computer FML621 .....	33
Modularity .....	9	<b>Liquiphant Density process</b> .....	<b>34</b>
Electronic insert for density measurement .....	9	Process temperature range .....	34
Density Computer FML621 .....	9	Thermal shock .....	34
<b>Input of Liquiphant Density</b> .....	<b>9</b>	Process pressure range .....	34
Measured variable .....	9	Pressure tightness .....	34
Measuring range .....	9	Solids contents .....	34
<b>Output of Liquiphant Density</b> .....	<b>9</b>	<b>Mechanical construction of Liquiphant Density</b> ...	<b>34</b>
Output and input variants .....	9	Design, dimensions .....	34
Ex connection data .....	10	Dimensions .....	35
<b>Input of Density Computer FML621</b> .....	<b>10</b>	Weight .....	44
Measured variable .....	10	Materials .....	44
Measuring range .....	10	Surface roughness .....	45
Galvanic isolation .....	12	<b>Mechanical construction of Density Computer</b>	
<b>Output of Density Computer FML621</b> .....	<b>12</b>	<b>FML621</b> .....	<b>45</b>
Output signal .....	12	Terminal .....	45
Galvanic isolation .....	12	Dimensions .....	46
Current output, pulse output .....	12	Slots with extension cards .....	46
Switch output .....	13	Weight .....	46
Transmitter power supply and external power supply .....	13	Materials .....	46
<b>Power supply of Liquiphant Density</b> .....	<b>13</b>	<b>User interface of Density Computer FML621</b> .....	<b>47</b>
Terminal assignment .....	13	Display elements .....	47
Supply voltage .....	14	Operating elements .....	48
Power consumption .....	14	Remote operation .....	48
Current consumption .....	14	Real-time clock .....	48
Overvoltage protection .....	14	<b>Certificates and approvals</b> .....	<b>48</b>
Pulse signal in case of alarm .....	14	CE mark .....	48
Adjustment .....	15	Ex approval .....	48
<b>Power supply of Density Computer FML621</b> .....	<b>15</b>	Other standards and guidelines .....	48
Terminal assignment of density computer .....	15	<b>Ordering information</b> .....	<b>48</b>
Supply voltage .....	17	TAG .....	48
Power consumption .....	17	Test reports, declarations and inspection certificates .....	49
Power supply connection .....	17	<b>Accessories for Liquiphant Density</b> .....	<b>49</b>
Interface connection data .....	18	Protective cover for aluminum dual compartment housing .	49
Slots, extension cards .....	19	Protective cover for single compartment housing,	
Endress+Hauser-specific devices .....	19	aluminum or 316L .....	49
Connection of outputs .....	21	M12 socket .....	50
Ethernet option .....	21	Sliding sleeves for unpressurized operation .....	50
Extension cards (optional) .....	22	High pressure sliding sleeves .....	50
Connecting the remote display and operating unit .....	27		

<b>Accessories for Density Computer FML621 . . . . .</b>	<b>52</b>
General . . . . .	52
Extension cards . . . . .	52
PROFINET® Interface . . . . .	52
<b>Documentation . . . . .</b>	<b>53</b>
Standard documentation . . . . .	53
Supplementary device-dependent documentation . . . . .	53

## About this document

### Symbols

#### Safety symbols



This symbol alerts you to a dangerous situation. Failure to avoid this situation will result in serious or fatal injury.



This symbol alerts you to a dangerous situation. Failure to avoid this situation can result in serious or fatal injury.

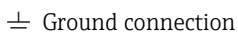


This symbol alerts you to a dangerous situation. Failure to avoid this situation can result in minor or medium injury.



This symbol contains information on procedures and other facts which do not result in personal injury.

#### Electrical symbols



Grounded clamp, which is grounded via a grounding system.



Ground terminals, which must be grounded prior to establishing any other connections. The ground terminals are located on the inside and outside of the device.

#### Tool symbols



Flat-blade screwdriver



Allen key



Open-ended wrench

#### Symbols for certain types of information



Permitted  
Procedures, processes or actions that are permitted.



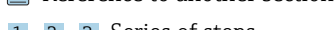
Forbidden  
Procedures, processes or actions that are forbidden.



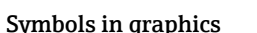
Tip  
Indicates additional information



Reference to documentation



Reference to another section

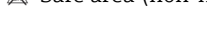


Series of steps

#### Symbols in graphics

A, B, C ... View

1, 2, 3 ... Item numbers



Hazardous area

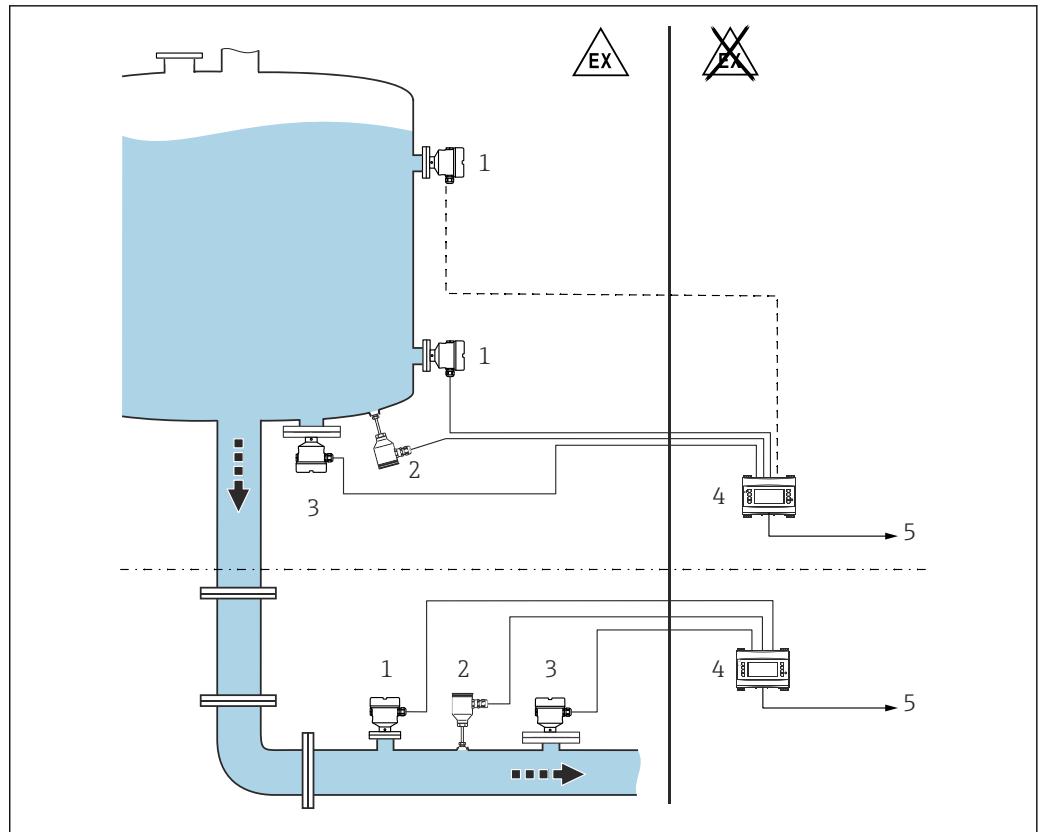


Safe area (non-hazardous area)

## Application

### Density measurement

The Liquiphant Density measures the density of a liquid medium in pipes and tanks. The device is suitable for all Newtonian (purely viscous) fluids. In addition, the device is also suitable for use in hazardous areas.



A0039632

1 Density measurement with FML621

- 1 Liquiphant Density → Pulse output
- 2 Temperature sensor, e.g. 4 to 20 mA output
- 3 Pressure transmitter 4 to 20 mA output required for changes in pressure >6 bar
- 4 Liquiphant Density Computer FML621 with display and operating unit
- 5 PLC



The measurement can be affected by:

- air bubbles at the sensor
- unit not fully covered by the medium
- solid media buildup on sensor
- high flow velocity in pipes
- severe turbulence in the pipe due to inlet and outlet runs that are too short
- corrosion of the fork
- non-Newtonian (not purely viscous) behavior of media

**Application examples: basic unit**

*1 density measuring line, pressure and temperature-compensated*

- 1 Liquiphant with FEL60D
- 1 temperature transmitter 4 to 20 mA
- 1 pressure transmitter 4 to 20 mA
- 1 output: density 4 to 20 mA
- 1 output: temperature 4 to 20 mA
- **Product structure:** FML621-xxxAAAxxxx
- **Number of inputs:** 4x pulse input, 0 to 20 mA or 4 to 20 mA
- **Number of outputs:** 1x SPST relay, 2x 0 to 20 mA or 4 to 20 mA

*2 density measuring lines, temperature-compensated*

- 2 Liquiphant with FEL60D
- 2 temperature transmitters 4 to 20 mA
- 1 output: density 4 to 20 mA
- 1 output: temperature 4 to 20 mA

- **Product structure:** FML621-xxxAAxxxx
- **Number of inputs:** 4x pulse input, 0 to 20 mA or 4 to 20 mA
- **Number of outputs:** 1x SPST relay, 2x 0 to 20 mA or 4 to 20 mA

#### Application examples: basic unit + 2 extension cards

*3 density measuring lines, 2 x temperature-compensated, 1 x pressure- and temperature-compensated*

- 3 Liquiphant with FEL60D
- 3 temperature transmitters 4 to 20 mA
- 1 pressure transmitter 4 to 20 mA
- 3 outputs: density 4 to 20 mA
- 3 outputs: temperature 4 to 20 mA
- 1 relay for medium detection
- **Product structure:** FML621-xxxBAxxxx
- **Number of inputs:** 8 x pulse input, 0 to 20 mA or 4 to 20 mA
- **Number of outputs:** 5 x SPST relay, 6x 0 to 20 mA or 4 to 20 mA

#### Application examples: medium detection

*Distinguish between 2 media*

- **Product structure:** FML621-xxxAAxxxx basic unit
- **Use of inputs:**
  - 1x FEL60D
  - 1x temperature 4 to 20 mA
- **Information content:**
  - 1 output: density 4 to 20 mA
  - 1 output: temperature 4 to 20 mA
  - 1 Relay



The medium detection can refer to concentrations or phase transitions

*Distinguish between 3 media*

- **Product structure:** FML621-xxxBAxxxx basic unit with additional relay card
- **Use of inputs:**
  - 1x FEL60D
  - 1x temperature 4 to 20 mA
- **Information content:**
  - 1 output: density 4 to 20 mA
  - 1 output: temperature 4 to 20 mA
  - 1 relay: display product 1
  - 1 relay: display product 2
  - 1 relay: display product 3



The relays can activate subsequent processes by triggering actuators.

#### Applications: density

*Density measurement or concentration calculation with pump protection*

- **Product structure:** FML621-xxxBAxxxx basic unit
- **Use of inputs:**
  - 1 x FEL60D
  - 1 x temperature 4 to 20 mA
- **Information content:**
  - 1 output: density 4 to 20 mA
  - 1 output: temperature 4 to 20 mA
  - 1 relay to switch off the pump



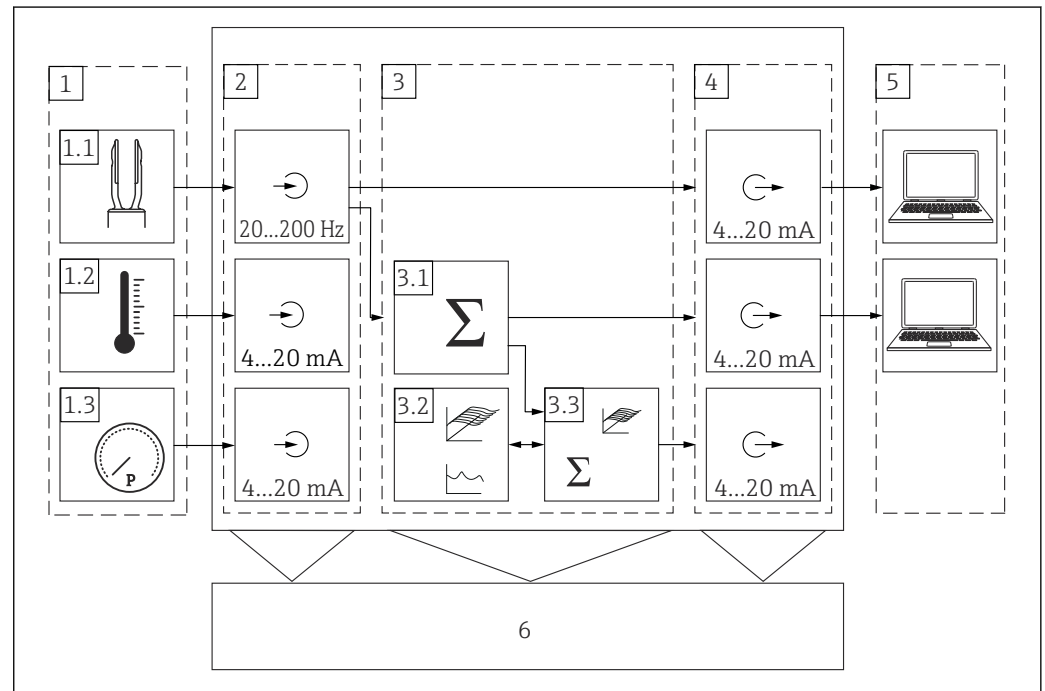
In addition to determining the density and concentration, pump protection can also be implemented by setting the appropriate switching frequency.

## Function and system design

### Measuring principle

A piezoelectric drive causes the tuning fork of the Liquiphant Density to vibrate at its resonance frequency. If the density of the liquid medium changes, the resonance frequency of the tuning fork also changes. The density of the medium has a direct impact on the resonance frequency of the tuning fork. As specific medium properties and mathematic relations are preprogrammed in the system, the Density Computer calculates the exact concentration of a medium.

### System design



2 Density Computer FML621, modular design diagram

- 1 External sensors
- 1.1 Liquiphant Density
- 1.2 Temperature sensor
- 1.3 Pressure sensor
- 2 Input modules, Density Computer FML621
- 3 Computing module, Density Computer FML621
- 3.1 Mathematical functions, e.g. density
- 3.2 2D, 3D curve
- 3.3 Mathematical functions, e.g. concentration, 3D linearization
- 4 Output modules, Density Computer FML621
- 5 Information processing - control room
- 6 Additional display

### Specific density applications

The software modules available calculate the density from the frequency, temperature and pressure input variables.

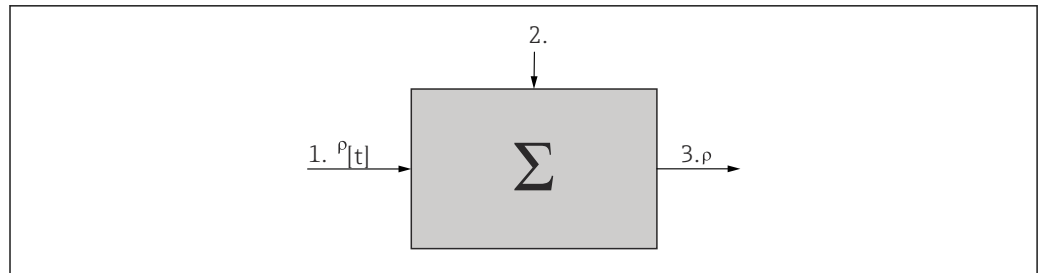
### Operating principle

The vibrating frequency of the tuning fork is reduced when the tuning fork is completely covered with liquid. Using additional information, such as temperature and pressure, it is possible to calculate the corresponding density of the medium. If the value by which the density has changed is known, the concentration of the medium can be determined using a function stored in the system. This value can be determined empirically or using existing tables, for example. The tables for converting density to concentration must be provided by the customer.

Additional software modules can calculate the density at reference temperature, compute the concentrations or detect media.

### Reference density

In this module, the system refers to a reference temperature, such as 15 °C (59 °F) or 20 °C (68 °F). It must be known how the density of the medium changes at different temperatures.

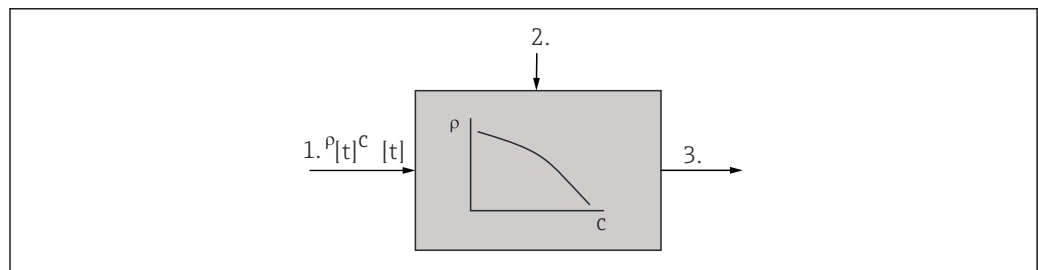


A0039650

- 1 Input data: Table  $\rho [t]$
- 2 Measured liquid medium: Temperature and density
- 3 Output: Calculated density  $\rho$  [standard]

### Concentration

Using density and concentration curves already available or determined empirically, it is possible to determine the concentration when substances are continuously dissolved in a medium.

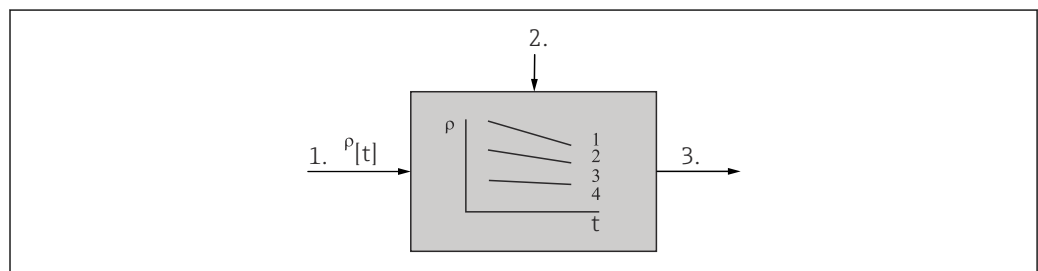


A0039651

- 1 Input data: Table  $\rho, c [t]$
- 2 Measured liquid medium: Temperature and density
- 3 Output: Calculated concentration

### Medium detection

To be able to distinguish between two media, the density function - as a function of the temperature - can be stored for several media. This allows the system to differentiate between two media.



A0039652

- 1 Input data: Tables  $\rho [t]$  for two liquid media
- 2 Measured liquid medium: Temperature and density
- 3 Output: Relay output, device


### Measuring system

The Density Computer FML621 supplies power directly to connected two-wire transmitters. Intrinsically safe inputs and transmitter power supply units for current cards are optionally available for applications in hazardous areas. The inputs, outputs, limit values and display as well as commissioning and maintenance of the device are performed via a dot-matrix display with eight soft keys and a backlight as well as an RS232 or RS485 interface or ReadWin® 2000 PC software. In addition, it is possible to extend the device using additional extension cards.

A change in the background color indicates alarms or limit value violations. It is possible to configure the background color.



To use the telealarm function, we recommend common industrial modems that have an RS232 interface. The measured values and events or alarms are encoded and transmitted in accordance with the serial protocol. It is possible to query the protocol type.

 The number of inputs, outputs, relays and transmitter power supply units contained in the basic unit can be individually extended using a maximum of three plug-in cards.

---

**Modularity**

- Measuring density of a liquid medium
- Liquiphant with electronic insert FEL60D and Density Computer FML621
- Also for hazardous areas
- Up to 5 density measuring lines can be operated with the Density Computer FML621. All slots must be fitted with plug-in cards.

**Density Computer FML621 - specification**

- **Input**
  - FEL60D sensor
  - 0 to 20 mA or 4 to 20 mA analog inputs
  - 0 to 18 digital inputs
  - 4 to 10 pulse inputs
  - Temperature sensors (mA, mV, V, TC, RTD)
- **Output**
  - 2 to 8 Analog outputs 0 to 20 mA or 4 to 20 mA
  - 2 to 8 Pulse outputs - active or passive
  - 1 to 19 relays SPST, AC or DC
- **Communication**
  - Ethernet IP
  - PSTN or GSM modem
  - Serial bus RS232, RS485
  - PROFIBUS® via coupler
  - PROFINET® via coupler
  - ReadWin® 2000 PC software
- **Power supply mode**
  - 4 - 10 devices, max. current consumption 30 mA
  - 1 device, max. current consumption 80 mA
- **Internal memory**
  - 512 kB
- **Calculating functions**
  - Pre-defined or editable

---

**Electronic insert for density measurement**

Electronic insert FEL60D

---

**Density Computer FML621**

Two-wire pulse output: Current pulses, superimposed on the power supply along the two-wire cabling

## Input of Liquiphant Density

---

**Measured variable**

Density of liquids

---

**Measuring range**


Density range: 0.3 to 2 g/cm<sup>3</sup> (18.7 to 125 lb/ft<sup>3</sup>) (0.3 to 2 SGU)

## Output of Liquiphant Density

---

**Output and input variants**

**2-wire density (FEL60D) for density measurement**  
 Connection to Density Computer FML621

 For detailed information, see the Technical Information.

**Ex connection data**

See safety instructions (XA): All data relating to explosion protection are provided in separate Ex documentation and are available from the Downloads area of the Endress+Hauser website. The Ex documentation is supplied as standard with all devices approved for use in explosion hazardous areas.

## Input of Density Computer FML621

**Measured variable**

- Voltage (analog and digital input)
- Current (analog input)
- PFM
- Pulse input

The following measured variables are implemented as an analog signal or pulse signal:

- Flow
- Level
- Pressure
- Temperature
- Density



Only Endress+Hauser flow sensors can be connected to the PFM input.

Not suitable for level and pressure measuring instruments.

**Measuring range****Current input**

- 0 to 20 mA or 4 to 20 mA +10 % overrange
- Max. input current: 150 mA
- Input impedance: <10  $\Omega$
- Accuracy 0.1 % of full scale value
- Temperature drift: 0.04 % / K (0.022 % / °F)
- Signal damping first-order low-pass filter, adjustable filter constants 0 to 99 s
- Resolution: 13 bit

**Current input (U-I-TC card with intrinsically safe inputs)**

- 0 to 20 mA or 4 to 20 mA +10 % overrange
- Max. input current: 80 mA
- Input impedance: =10  $\Omega$
- Accuracy: 0.1 % of full scale value
- Temperature drift: 0.01 % / K 0.01 % / K (0.0056 % / °F)

**PFM/pulse input**

- Frequency range: 0.01 to 18 kHz
- Signal level - with approx. 1.3 k $\Omega$  series resistor at max. 24 V voltage level:
  - Low: 2 to 7 mA
  - High: 13 to 19 mA
- Measurement method: Period length or frequency measurement
- Accuracy: 0.01 % of reading
- Temperature drift: 0.01 % Over entire temperature range

**Voltage input (digital input)**

- Voltage level:
  - Low: -3 to 5 V
  - High: 12 to 30 V (as per IEC 61131-2)
- Input current typically: 3 mA with overload and reverse polarity protection
- Sampling frequency:
  - 4x4 Hz
  - 2x 20 kHz or 2x 4 Hz

**Voltage input (analog input)**

- Voltage: 0 to 10 V, 0 to 5 V,  $\pm 10$  V, inaccuracy  $\pm 0.1$  % of measuring range, input impedance >400 k $\Omega$
- Voltage: 0 to 100 mV, 0 to 1 V,  $\pm 1$  V,  $\pm 100$  mV, inaccuracy  $\pm 0.1$  % of measuring range, input impedance >1 M $\Omega$
- Temperature drift: 0.01 % / K (0.0056 % / °F)

**Resistance thermometer Pt100 as per ITS 90**

- Measuring range: -200 to 800 °C (-328 to 1 472 °F)
- Accuracy: 4-wire connection 0.03 % of full scale value
- Type of connection: 3-wire or 4-wire system
- Measuring current: 500 µA
- Resolution: 16 bit
- Temperature drift: 0.01 % / K (0.0056 % / °F)

**Resistance thermometer Pt500 as per ITS 90**

- Measuring range: -200 to 250 °C (-328 to 482 °F)
- Accuracy: 4-wire connection 0.1 % of full scale value
- Type of connection: 3-wire or 4-wire system
- Measuring current: 500 µA
- Resolution: 16 bit
- Temperature drift: 0.01 % / K (0.0056 % / °F)

**Resistance thermometer Pt1000 as per ITS 90**

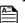
- Measuring range: -200 to 250 °C (-328 to 482 °F)
- Accuracy: 4-wire connection 0.08 % of full scale value
- Type of connection: 3-wire or 4-wire system
- Measuring current: 500 µA
- Resolution: 16 bit
- Temperature drift: 0.01 % / K (0.0056 % / °F)

**Thermocouples (TC)**

- J (Fe-CuNi), IEC 584
  - Measuring range: -210 to 999.9 °C (-346 to 1 832 °F)
  - Accuracy: ± (0.15 % of measuring range +0.5 K) from -100 °C  
± (0.15 % of measuring range +0.9 °F) from -148 °F
- K (NiCr-Ni), IEC 584
  - Measuring range: -200 to 1 372 °C (-328 to 2 502 °F)
  - Accuracy: ± (0.15 % of measuring range +0.5 K) from -130 °C  
± (0.15 % of measuring range +0.9 °F) from -202 °F
- T (Cu-CuNi), IEC 584
  - Measuring range: -270 to 400 °C (-454 to 752 °F)
  - Accuracy: ± (0.15 % of measuring range +0.5 K) from -200 °C  
± (0.15 % of measuring range +0.9 °F) from -382 °F
- N (NiCrSi-NiSi), IEC 584
  - Measuring range: -270 to 1 300 °C (-454 to 1 386 °F)
  - Accuracy: ± (0.15 % of measuring range +0.5 K) from -100 °C  
± (0.15 % of measuring range +0.9 °F) from -148 °F
- B (Pt30Rh-Pt6Rh), IEC 584
  - Measuring range: 0 to 1 820 °C (32 to 3 308 °F)
  - Accuracy: ± (0.15 % of measuring range +1.5 K) from 600 °C  
± (0.15 % of measuring range +2.7 °F) from 1 112 °F
- D (W3Re/W25Re), ASTM E 998
  - Measuring range: 0 to 2 315 °C (32 to 4 199 °F)
  - Accuracy: ± (0.15 % of measuring range +1.5 K) from 500 °C  
± (0.15 % of measuring range +2.7 °F) from 932 °F
- C (W5Re/W26Re), ASTM E 998
  - Measuring range: 0 to 2 315 °C (32 to 4 199 °F)
  - Accuracy: ± (0.15 % of measuring range +1.5 K) from 500 °C  
± (0.15 % of measuring range +2.7 °F) from 932 °F
- L (Fe-CuNi), DIN 43710, GOST
  - Measuring range: -200 to 900 °C (-328 to 1 652 °F)
  - Accuracy: ± (0.15 % of measuring range +0.5 K) from -100 °C  
± (0.15 % of measuring range +0.9 °F) from -148 °F

- U (Cu-CuNi), DIN 43710
  - Measuring range: -200 to 600 °C (-328 to 1112 °F)
  - Accuracy: ± (0.15 % of measuring range +0.5 K) from -100 °C  
± (0.15 % of measuring range +0.9 °F) from -148 °F
- S (Pt10Rh-Pt), IEC 584
  - Measuring range: 0 to 1768 °C (32 to 3214 °F)
  - Accuracy: ± (0.15 % of measuring range +3.5 K) for 0 to 100 °C  
± (0.15 % of measuring range +1.5 K) from 100 to 1768 °C  
± (0.15 % of measuring range +6.3 °F) for 0 to 212 °F  
± (0.15 % of measuring range +2.7 °F) for 212 to 2314 °F
- R (Pt13Rh-Pt), IEC 584
  - Measuring range: -50 to 1768 °C (-58 to 3214 °F)
  - Accuracy: ± (0.15 % of measuring range +3.5 K) for 0 to 100 °C  
± (0.15 % of measuring range +1.5 K) from 100 to 1768 °C  
± (0.15 % of measuring range +6.3 °F) for 0 to 212 °F  
± (0.15 % of measuring range +2.7 °F) for 212 to 2314 °F

**Galvanic isolation**

The inputs between the individual extension cards and the basic unit are galvanically isolated (→  12).



With digital inputs, all terminal blocks are galvanically isolated from one another.

## Output of Density Computer FML621

**Output signal**

Current, pulse, transmitter power supply (MUS) and switching output

**Galvanic isolation**

- The signal inputs and outputs are galvanically isolated from the supply voltage.  
Testing voltage: 2.3 kV
- All signal inputs and outputs are galvanically isolated from one another.  
Testing voltage: 500 V



The specified insulation voltage is the AC testing voltage  $U_{\text{eff}}$ , which is applied between the connections. Basis for assessment: IEC 61010-1, protection class II, overvoltage category II.

**Current output, pulse output****Current output**

- 0 to 20 mA or 4 to 20 mA +10 % overrange, reversible
- Max. loop current: 22 mA- short-circuit current
- Max. load: 750 Ω at 20 mA
- Accuracy: 0.1 % of full scale value
- Temperature drift: 0.1 % /10 K (0.056 % / 10 °F) ambient temperature
- Output ripple: <10 mV at 500 Ω for frequencies <50 kHz
- Resolution: 13 bit
- Error signals: 3.6 mA or 21 mA limit value in accordance NAMUR NE 43 - adjustable

**Pulse output**

- Basic unit:
  - Frequency range: up to 12.5 kHz
  - Voltage level: 0 to 1 V low, 12 to 28 V high
  - Min. load: 1 kΩ
  - Pulse width: 0.04 to 1000 ms
- Extension cards - digital passive, open collector:
  - Frequency range: up to 12.5 kHz
  - $I_{\text{max}} = 200 \text{ mA}$
  - $U_{\text{max}} = 24 \text{ V} \pm 15 \%$
  - $U_{\text{low/max}} = 1.3 \text{ V}$  at 200 mA
  - Pulse width: 0.04 to 1000 ms

**Number of outputs**

- 2x 0 to 20 mA or 4 to 20 mA / pulse - in basic unit
- Ethernet option: No current output present in the basic unit
- Max. number:
  - 8x 0 to 20 mA or 4 to 20 mA / pulse - depends on the number of extension cards
  - 6 x digital passive - depends on the number of extension cards

**Signal sources**

All existing multifunctional inputs and results of mathematic calculations can be freely assigned to the outputs.

---

**Switch output**

**Function**

Limit relay switches in the operating modes: Minimum or maximum safety, gradient, alarm, frequency or pulse, device error.

**Switching behavior**

Binary, switches when the limit value is reached - potential-free NO contact.

**Switching capacity**

Max. 250 V<sub>AC</sub> 3 A / 30 V<sub>DC</sub> 3 A



Do not combine line voltage and protective extra low voltage for extension card relays.

**Switching frequency**

Maximum 5 Hz

**Threshold**

User-programmable

**Hysteresis**

0 to 99 %

**Sig. Source**

All available inputs and calculated variables can be allocated freely to the switching outputs.

**Number of switching cycles**

> 100,000

**Scan rate**

500 ms

**Number**

- 1 relay - in the basic unit
- Max. number: 19 relays - depends on the number and type of extension cards

---

**Transmitter power supply and external power supply**

**Transmitter power supply, terminals 81/82 or 81/83 - optional power extension cards 181/182 or 181/183**

- Max. output voltage: 24 V<sub>DC</sub> ±15 %
- Impedance: <345 Ω
- Max. loop current: 22 mA (at U<sub>out</sub> >16 V)

**FML621 technical data:**

- HART® communication is not impaired
- Number: 3 MUS in the basic unit
- Max. number: 10 - depends on the number and type of extension cards

**Additional power supply terminals 91/92, e.g. external display:**

- Supply voltage: 24 V<sub>DC</sub> ±5 %
- Max. current: 80 mA, short-circuit proof
- Number: 1
- Source resistance: <10 Ω

## Power supply of Liquiphant Density

**NOTICE**

**Operation with other switching units is not permitted.**

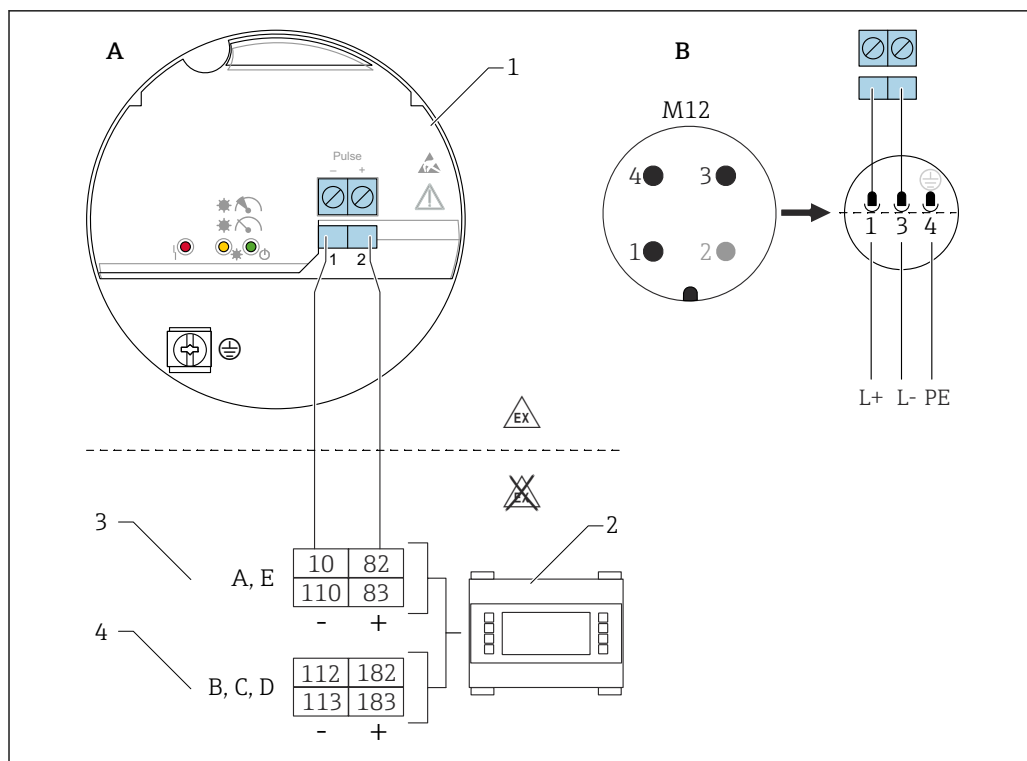
Destruction of electronic components.

- ▶ Do not install the FEL60D electronic insert in devices that were originally used as point level switches.

---

**Terminal assignment**

The output signal of the density sensor is based on pulse technology. With the aid of this signal, the fork frequency is constantly forwarded to the Density Computer FML621.



**3** Connection diagram: electronic insert FEL60D connection to Density Computer FML621

A Connection wiring with terminals

B Connection wiring with M12 plug in housing as per EN61131-2 standard

1 Electronic insert FEL60D

2 Density Computer FML621

3 Slots A, E with extension cards (already installed in the basic unit)

4 Slots B, C, D with extension cards (optional)

#### Supply voltage

$U = 24 V_{DC} \pm 15\%$ , only suitable for connecting to the Density Computer FML621



The device must be powered by a voltage supply categorized as "CLASS 2" or "SELV".

#### Power consumption

$P < 160 \text{ mW}$

#### Current consumption

$I < 10 \text{ mA}$

#### Overvoltage protection

Overvoltage category I


#### Pulse signal in case of alarm

Output signal in case of power failure and damaged sensor: 0 Hz.

**Adjustment**

**There are 3 different types of adjustment:**

- **Standard adjustment (order configuration):**  
Two fork parameters are determined at the factory to describe the sensor characteristics and are provided in the calibration report with the product. These parameters must be transmitted to the Density Computer FML621.
- **Special adjustment (select in the Product Configurator):**  
Three fork parameters are determined at the factory to describe the sensor characteristics and are provided in the calibration report with the product. These parameters must be transmitted to the Density Computer FML621.  
This type of adjustment achieves an even higher level of accuracy.
- **Field adjustment:**  
With a field adjustment, the density determined by the user is transmitted to the FML621.

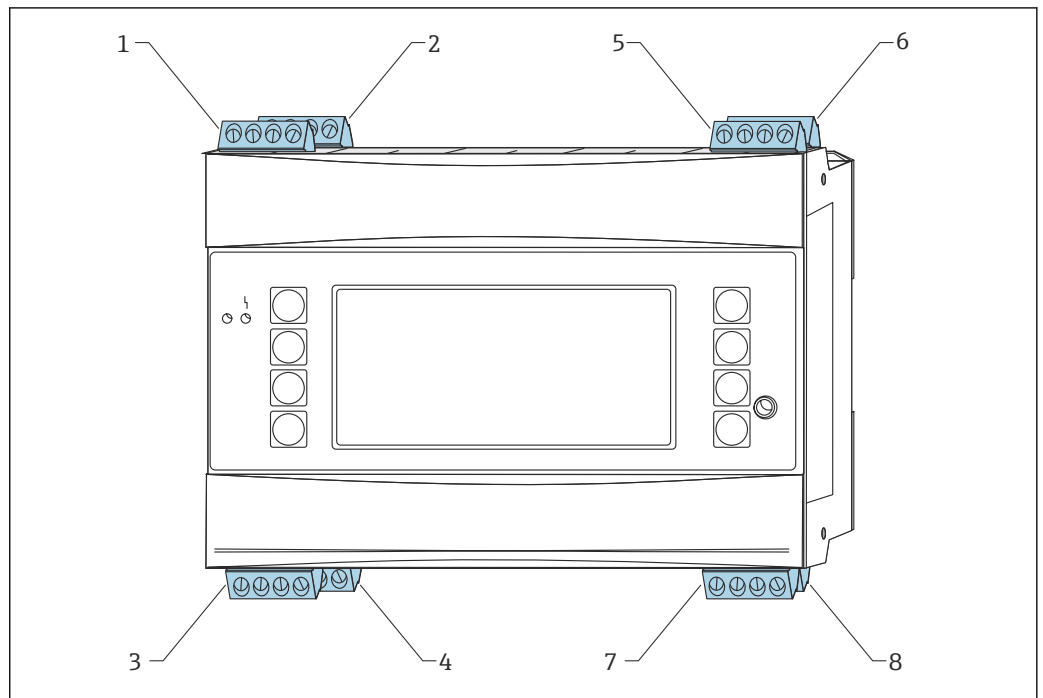
 All the necessary parameters of the Liquiphant Density are documented in the **adjustment report** and in the **sensor pass**.


The documents are included in the scope of delivery.

 Further information and the documentation currently available can be found on the Endress+Hauser website: [www.endress.com](http://www.endress.com) → Downloads.

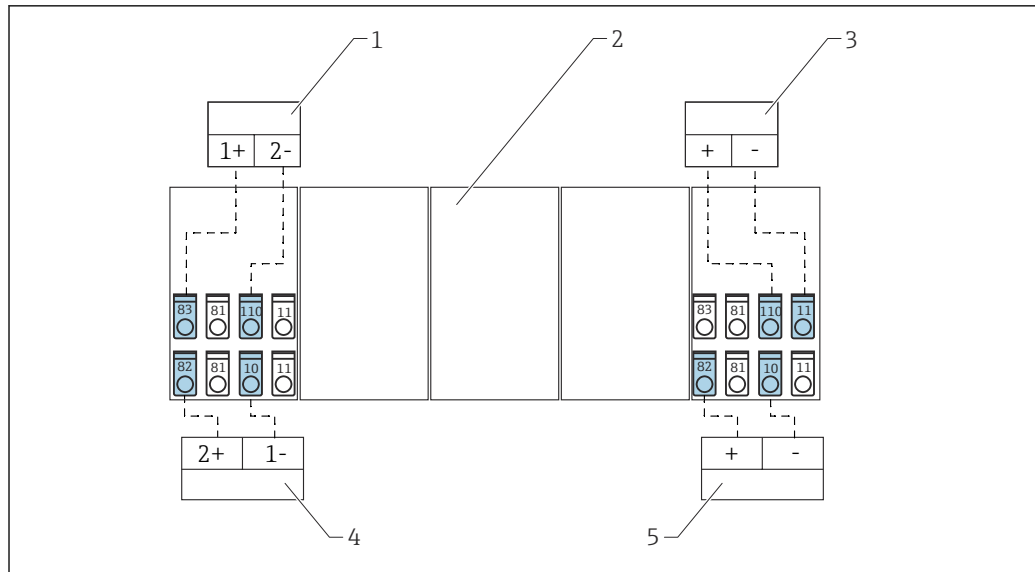
**Power supply of Density Computer FML621**

**Terminal assignment of density computer**



 4 Slot coding of basic unit

- 1 Slot A I - input
- 2 Slot A II - input
- 3 Slot A III - output
- 4 Slot A IV - output
- 5 Slot E I - input
- 6 Slot E II - input
- 7 Slot E III - output
- 8 Slot E IV - output

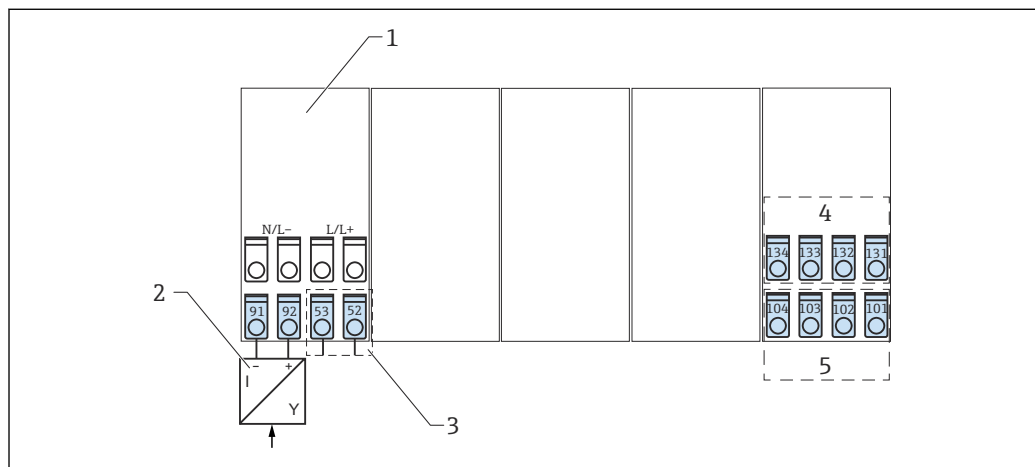


A0039655

5 Overview of connections - inputs

- 1 Passive sensor, e.g. pressure measurement
- 2 Slot for additional extension cards
- 3 Active sensor
- 4 Passive sensor, e.g. pressure measurement
- 5 Passive sensor, e.g. passive temperature transmitter

**i** Active sensor: The passing on of temperature information from a PLC is an example of why an active sensor may be connected.



A0039656

6 Overview of connections - outputs

- 1 Extension card
- 2 Power supply for sensors
- 3 Relay contact
- 4 Pulse and current outputs - active
- 5 Bus interfaces

**i** With the Ethernet option, the current output or pulse output is not available at slot E.

#### Slot A I

Input: current or PFM or pulse input 1

- Terminal 10: (+) 0 to 20 mA or 4 to 20 mA, PFM, pulse input 1
- Terminal 11: ground for 0 to 20 mA or 4 to 20 mA, PFM, pulse input
- Terminal 81: ground, sensor power supply 1
- Terminal 82: 24 V sensor power supply 1



**Slot A II**

Input: current or PFM or pulse input 2

- Terminal 110: (+) 0 to 20 mA or 4 to 20 mA, PFM, pulse input 2
- Terminal 11: ground for 0 to 20 mA or 4 to 20 mA, PFM, pulse input
- Terminal 81: ground, sensor power supply 2
- Terminal 83: 24 V sensor power supply 2

**Slot A III**

Output: relay or additional sensor power supply

- Terminal 52: common relay (COM)
- Terminal 53: NO contact relay (NO)
- Terminal 91: ground, sensor power supply
- Terminal 93: +24 V sensor power supply

**Slot A IV**

Output: power supply

- Terminal L/L+: **L** for AC, **L+** for DC
- Terminal N/L-: **N** for AC, **L-** for DC

**Slot E I**

Input: current or PFM or pulse input 1

- Terminal 10: (+) 0 to 20 mA or 4 to 20 mA, PFM, pulse input 3
- Terminal 11: ground for 0 to 20 mA or 4 to 20 mA, PFM, pulse input
- Terminal 81: ground, sensor power supply 3
- Terminal 82: 24 V sensor power supply 3

**Slot E II**

Input: current or PFM or pulse input 2

- Terminal 110: (+) 0 to 20 mA or 4 to 20 mA, PFM, pulse input 4
- Terminal 11: ground for 0 to 20 mA or 4 to 20 mA, PFM, pulse input
- Terminal 81: ground, sensor power supply 4
- Terminal 83: 24 V sensor power supply 4

**Slot E III**

Output: RS485

- Terminal 101: (-) RxTx 1
- Terminal 102: (+) RxTx 1

**Slot E III**

Output: RS485 (optional)

- Terminal 103: (-) RxTx 2
- Terminal 104: (+) RxTx 2

**Slot E IV**

Output: current/pulse output 1


- Terminal 131: (-) 0/4 to 20 mA/pulse output 1
- Terminal 132: (+) 0/4 to 20 mA/pulse output 1

**Slot E IV**

 Ethernet, if the Ethernet option has been ordered.

Output: current/pulse output 2

- Terminal 133: (-) 0/4 to 20 mA/pulse output 2
- Terminal 134: (+) 0/4 to 20 mA/pulse output 2

 The inputs in the same slot are not galvanically isolated. There is a separation voltage of 500 V between the inputs and outputs in various slots. Terminals with identical second digits are bridged internally, for example terminals 11 and 81.

---

**Supply voltage**

- Low voltage power supply unit: 90 to 230 V<sub>AC</sub> 50 to 60 Hz
- Extra-low voltage power supply unit: 20 to 36 V<sub>DC</sub> or 20 to 28 V<sub>AC</sub> 50 to 60 Hz

---

**Power consumption**

8 to 38 VA - depending on version and wiring.

---

**Power supply connection**

**NOTICE**

Destruction of electronic components.

- ▶ Check whether the supply voltage matches the voltage indicated on the nameplate of the device.

**⚠ DANGER****Impermissible supply voltage**

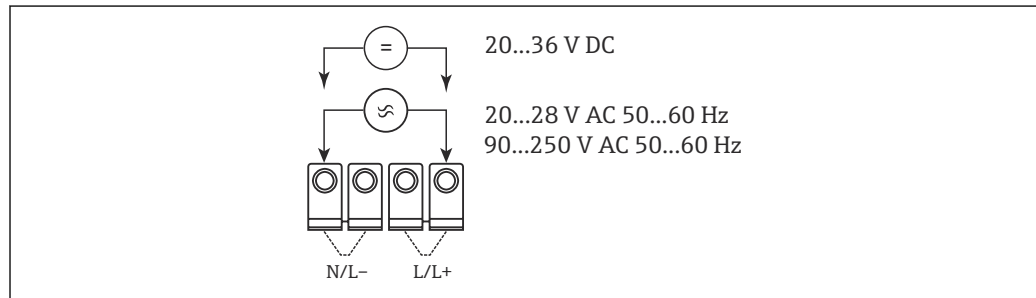
There is a high risk of physical injury and damage to the electronic components.

- ▶ For the device version with a supply voltage of 90 to 250 V, a switch must be installed in an easily accessible location. This switch is identified as a barrier in the power circuit of the device.


**NOTICE****The power circuit of the device is not adequately protected.**

Destruction of electronic components.

- ▶ Protect the power circuit with a 10-A fuse if the device is supplied with 90 to 250 V.



A0039657

 7 Power supply connection

**Interface connection data****RS232**

The RS232 interface is connected via an interface cable and a jack plug socket on the front of the housing.

- Connection: jack socket 3.5 mm (0.14 in), front
- Transmission protocol: ReadWin® 2000
- Transmission rate: max. 57 600 baud

**RS485**

- Connection: plug-in terminals 101 and 102
- Transmission protocol:
  - Serial: ReadWin® 2000
  - Parallel: open standard
- Transmission rate: max. 57 600 baud

**PROFIBUS®, PROFINET®**

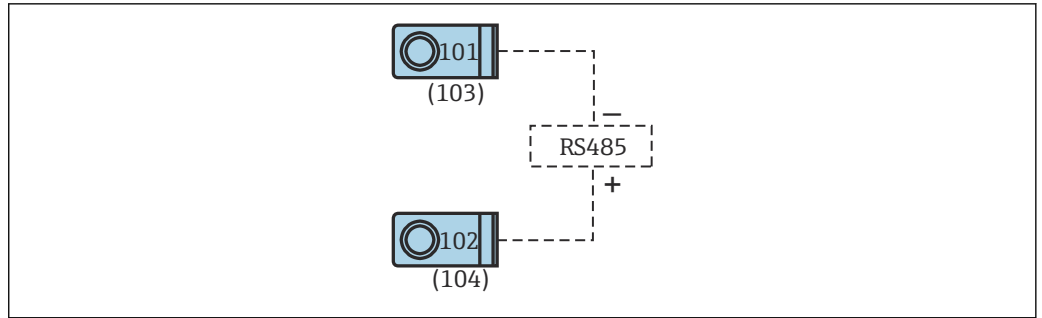
- Optional connection of the Density Computer FML621 to PROFIBUS® or PROFINET® via the serial RS485 interface with the external HMS AnyBus protocol converter module for PROFIBUS® or PROFINET®
- Suitable protocol converter available as an accessory

**Optional: additional RS485 interface**

- Connection: plug-in terminals 103 and 104
- Transmission protocol and transmission rate as standard interface RS485

**Optional: Ethernet interface**

- Ethernet interface: 10/100 BaseT
- Connection type: RJ45
- Connection via shielded cable
- IP address output via Setup menu in device
- Connection to devices via an interface is only possible in office environments
- Safety distances: office device standard IEC 60950-1 must be taken into consideration
- Connection to a PC is possible via a "crossover" cable



A0039688

8 Interface connection

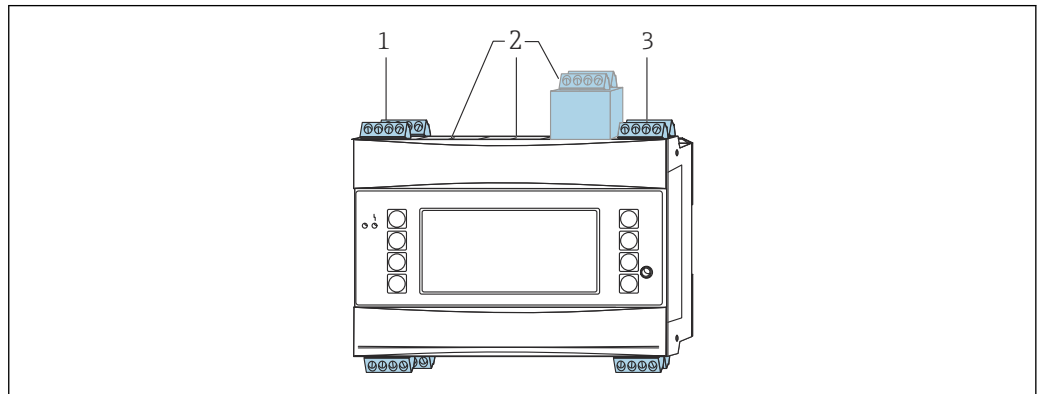
Slots, extension cards

**WARNING**

The device is connected to the mains and is live.

Possibility of physical injury and destruction of electronic components.

- ▶ Ensure the device is in a de-energized state.
- ▶ Do not install or wire the device when it is connected to the mains voltage.



A0039653

9 Slots and extension cards in the density computer

- 1 Slot A, extension card already installed
- 2 Slots B, C, D can be extended with extension cards
- 3 Slot E, extension card already installed

**i** The extension cards installed in slots A and E are an integral part of the basic unit.

Slots B, C and D can be expanded with additional extension cards.

**Slots - specification**

- Slot A:
  - Input: 2x density sensors, 0 to 20 mA or 4 to 20 mA
  - Output: 2x 0 to 20 mA or 4 to 20 mA
- Slots B, C, D:
  - Input: max. 10 analog inputs or 18 digital inputs
  - Output: max. 8 analog outputs or 6 digital outputs or 19 SPST relays
- Slot E:
  - Input: 2x density sensors 0 to 20 mA or 4 to 20 mA
  - Output: SPST relay

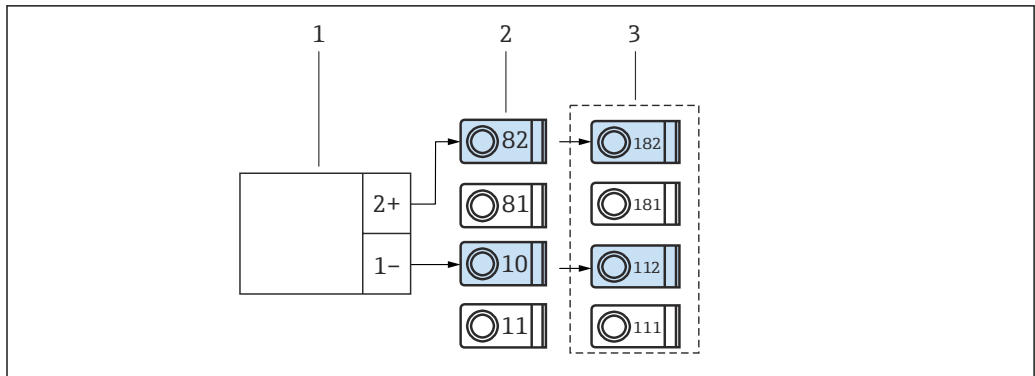
**Endress+Hauser-specific devices**

**i** In the basic version of the Density Computer FML621, slots A and E are already fitted with extension cards.

Slots B, C and D can be expanded with additional extension cards.

**i** The maximum cable length is 1 000 m (3 280.8 ft). The cable must be shielded to comply with EMC requirements. The maximum permitted power supply per core is 25 Ω.

**Density sensor with a pulse output**



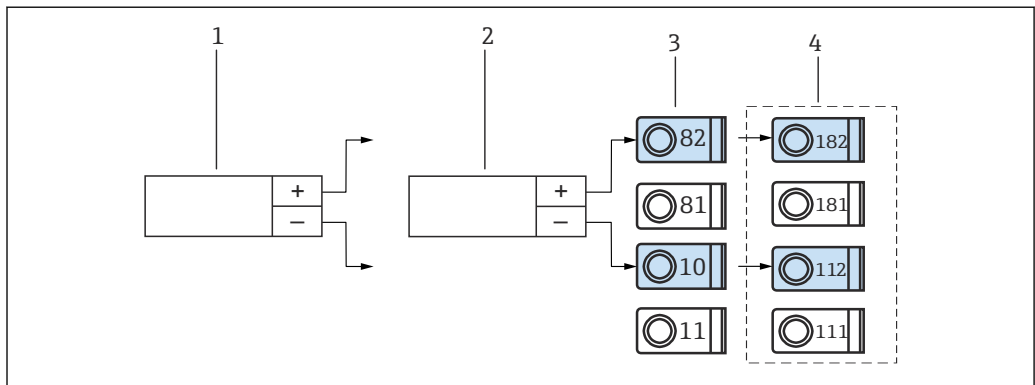
A0039671

**10** Connecting the density sensor with pulse output

- 1 Density sensor
- 2 Slot A I
- 3 Additional slot B I

**Temperature sensor via temperature head transmitter**

**i** Connection of PT100, PT500 and PT1000 sensors is possible only via an optional extension card (in slot B, C, or D).

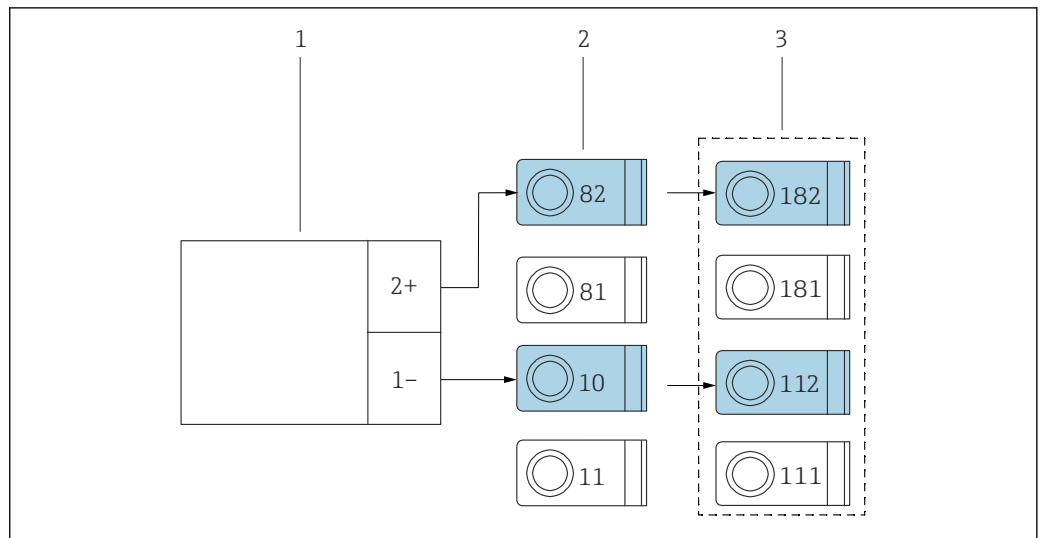


A0039673

**11** Connecting the temperature sensor via the temperature head transmitter

- 1 Temperature transmitter 1
- 2 Temperature transmitter 2
- 3 Slot A I
- 4 Slot B I (optional extension card)

**Pressure sensor with passive current output**

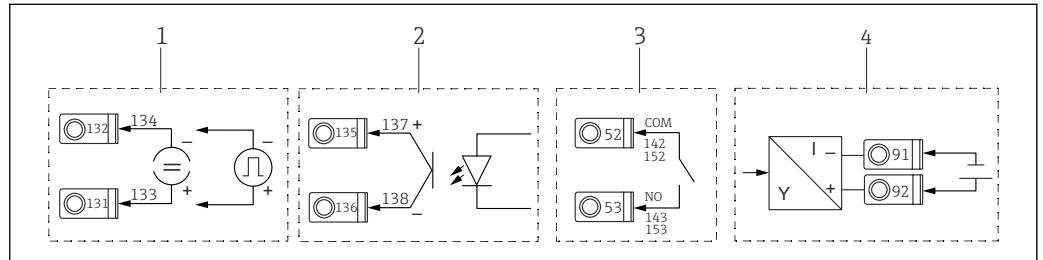


**12** Connecting the pressure sensor with passive current output

- 1 Pressure transmitter
- 2 Slot A I
- 3 Slot B I (optional extension card)

**Connection of outputs**

The device has two galvanically isolated outputs or an Ethernet connection, which can be configured as an analog output or active pulse output. In addition, an output for connecting a relay and the option of transmitter power supply are available for each device. The number of outputs increases with the number of additionally installed extension cards (→ 22).



**13** Connection of outputs

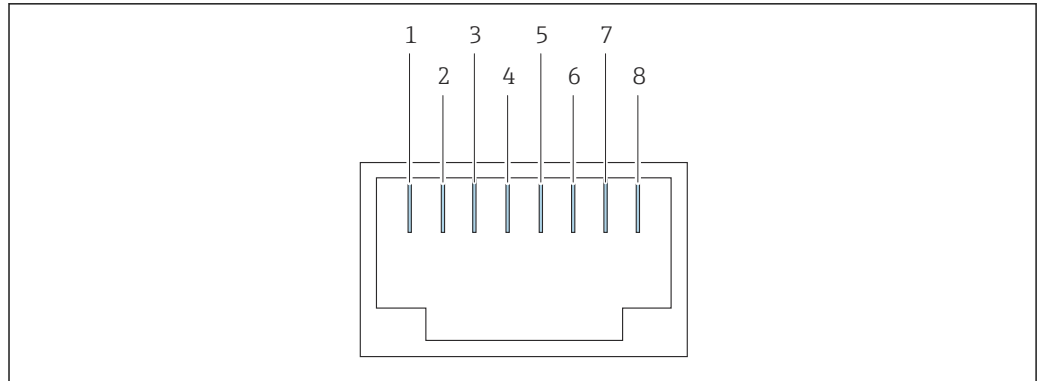
- 1 Active pulse and current outputs
- 2 Passive pulse output with open collector
- 3 Relay output (NO), e. g. slot A III
- 4 Transmitter power supply (MUS) output

**Ethernet option**

**Ethernet connection**

An IEEE 802.3-compatible connection on a shielded RJ45 connector on the underside of the device is available as a network connection. This can be used to connect the device to devices in the network environment with a hub or switch. For safety distances, the office equipment standard EN 60950 must be taken into account. The arrangement corresponds to a standard MDI interface (AT&T258), which means that a shielded 1:1 cable with a maximum length of 100 m (328 ft) can be used. The Ethernet interface is designed as a 10 and 100-BASE-T. Direct connection to a PC is possible with a crossover cable. Half-duplex and full-duplex data transmission are supported.

**i** If the Density Computer FML621 has an Ethernet interface, no analog outputs are available on the basic unit beyond slot E!



A0039690

14 RJ45 socket

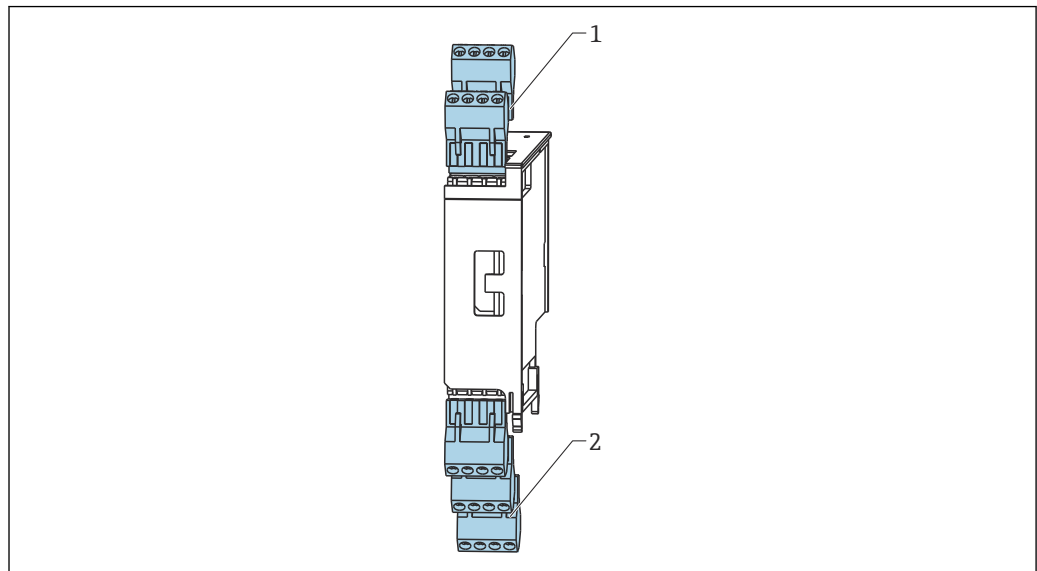
- 1 Tx+
- 2 Tx-
- 3 Rx+
- 4 Not connected
- 5 Not connected
- 6 Rx-
- 7 Not connected
- 8 Not connected

#### LED indicators

Two LEDs below the plug-in connector indicate the status of the Ethernet interface:

- Yellow LED - connection signal
  - LED is lit when the device is connected to a network.
- Green LED - Tx/Rx
  - LED flashes when the device is sending or receiving data.
  - LED is continuously lit when the device is not sending or receiving data.

#### Extension cards (optional)



A0039691

15 Extension card with terminals (slots B, C and D)

- 1 Input: slots I, II
- 2 Output: slots III, IV, V

**Terminal assignment, "Universal (FML621A-UA)" extension card with intrinsically safe inputs (FML621A-UB)**

**Slots B I, C I, D I**

Input: current or PFM or pulse input 1

- Terminal 182: 24 V sensor power supply 1
- Terminal 112: (+) 0 to 20 mA or 4 to 20 mA, PFM, pulse input 1
- Terminal 111: ground for 0 to 20 mA or 4 to 20 mA, PFM, pulse input
- Terminal 181: sensor power supply ground 1

**Slots B II, C II, D II**

Input: current or PFM or pulse input 2

- Terminal 183: 24 V sensor power supply 2
- Terminal 181: sensor power supply ground 2
- Terminal 113: (+) 0 to 20 mA or 4 to 20 mA, PFM, pulse input 2
- Terminal 111: ground for 0 to 20 mA or 4 to 20 mA, PFM, pulse input

**Slots B III, C III, D III**

- Output: relay 1
  - Terminal 142: common relay (COM)
  - Terminal 143: NO contact relay (NO)
- Output: relay 2
  - Terminal 152: common relay (COM)
  - Terminal 153: NO contact relay (NO)

**Slots B IV, C IV, D IV**

Output: Current or pulse output - active

- Terminal 131: + 0 to 20 mA or 4 to 20 mA pulse output 1
- Terminal 132: - 0 to 20 mA or 4 to 20 mA pulse output 1
- Terminal 133: + 0 to 20 mA or 4 to 20 mA pulse output 2
- Terminal 134: - 0 to 20 mA or 4 to 20 mA pulse output 2

**Slots B V, C V, D V**


Output: Current or pulse output - passive

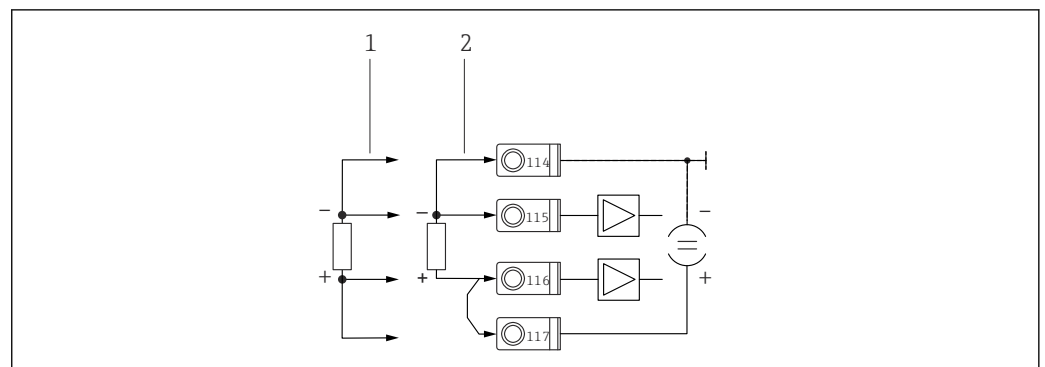
- Terminal 135: + pulse output 3 - open collector
- Terminal 136: - pulse output 3
- Terminal 137: + pulse output 4 - open collector
- Terminal 138: - pulse output 4


**Terminal assignment, "Temperature (FML621A-TA)" extension card with intrinsically safe inputs (FML621A-TB)**

*Temperature sensors*

Connection for Pt100, Pt500 and Pt1000.

 Terminals 116 and 117 must be bridged when connecting 3-wire sensors.



 16 Connecting the temperature sensor, optional temperature extension card e.g. in slot B (Slot B I)

- 1 4-wire input
- 2 3-wire input

**Slots B I, C I, D I**

Input: RTD input 1

- Terminal 117: + RTD power supply 1
- Terminal 116: + RTD sensor 1
- Terminal 115: - RTD sensor 1
- Terminal 114: - RTD power supply 1

**Slots B II, C II, D II**

Input: RTD input 2

- Terminal 121: + RTD power supply 1
- Terminal 120: + RTD sensor 1
- Terminal 119: - RTD sensor 1
- Terminal 118: - RTD power supply 1

**Slots B III, C III, D III**

- Output: relay 1
  - Terminal 142: common relay 1 (COM)
  - Terminal 143: NO contact relay 1 (NO)
- Output: relay 2
  - Terminal 152: common relay 2 (COM)
  - Terminal 153: NO contact relay 21 (NO)

**Slots B IV, C IV, D IV**

- Output: current or pulse output 1 - active
  - Terminal 131: + 0 to 20 mA or 4 to 20 mA
  - Terminal 132: - 0 to 20 mA or 4 to 20 mA
- Output: current or pulse output 2 - active
  - Terminal 133: + 0 to 20 mA or 4 to 20 mA
  - Terminal 134: - 0 to 20 mA or 4 to 20 mA

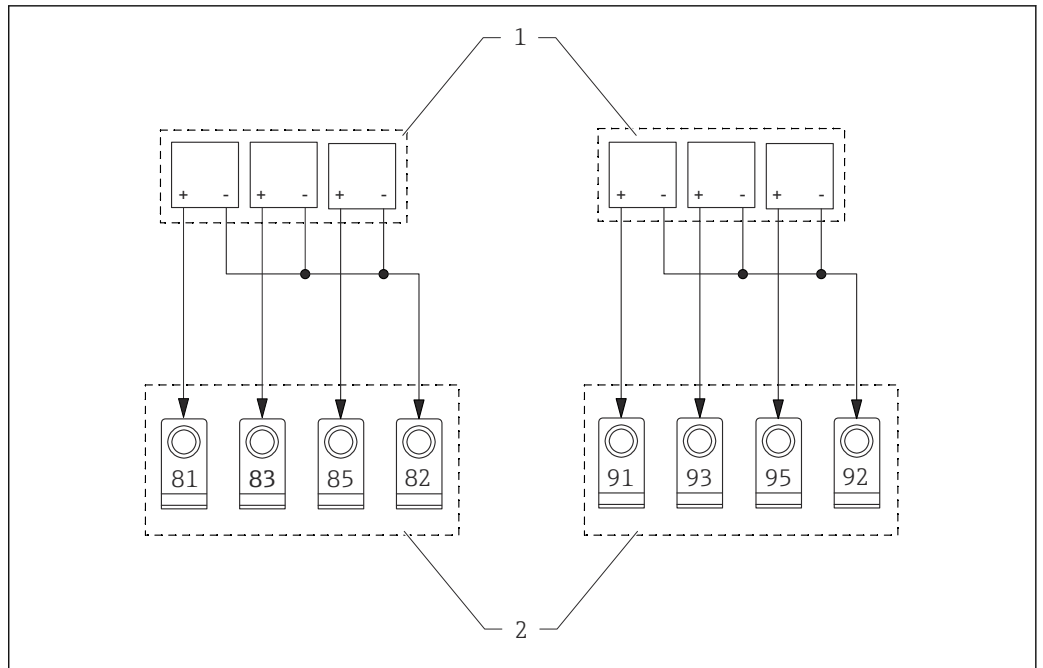
**Slots B V, C V, D V**

- Output: passive pulse output
  - Terminal 135: + pulse output 3 - open collector
  - Terminal 136: - pulse output 3
- Output: passive pulse output
  - Terminal 137: + pulse output 4 - open collector
  - Terminal 138: - pulse output 4

**Terminal assignment of "Digital card (FML621A-DA)" extension card with intrinsically safe inputs (FML621A-DB)**

The digital card has six intrinsically safe inputs. Terminals E1 and E4 can be defined as pulse inputs.





A0039694

17 Connecting the digital card

- 1 Digital input device
- 2 Terminal

**i** The current, PFM, pulse inputs or the RTD inputs in the same slot are not galvanically isolated. There is a separation voltage of 500 V between the aforementioned inputs and outputs in various slots.

Terminals with identical second digits are bridged internally.

**Slots B I, C I, D I**

Digital inputs E1 to 3

- Terminal 81: E1 20 kHz or 4 Hz as pulse input
- Terminal 83: E2 4 Hz
- Terminal 85: E3 4 Hz
- Terminal 82: signal ground E1 to 3

**Slots B II, C II, D II**

Digital inputs E4 to 6

- Terminal 91: E4 20 kHz or 4 Hz as pulse input
- Terminal 93: E5 4 Hz
- Terminal 95: E6 4 Hz
- Terminal 92: signal ground E4 to 6

**Slots B III, C III, D III**

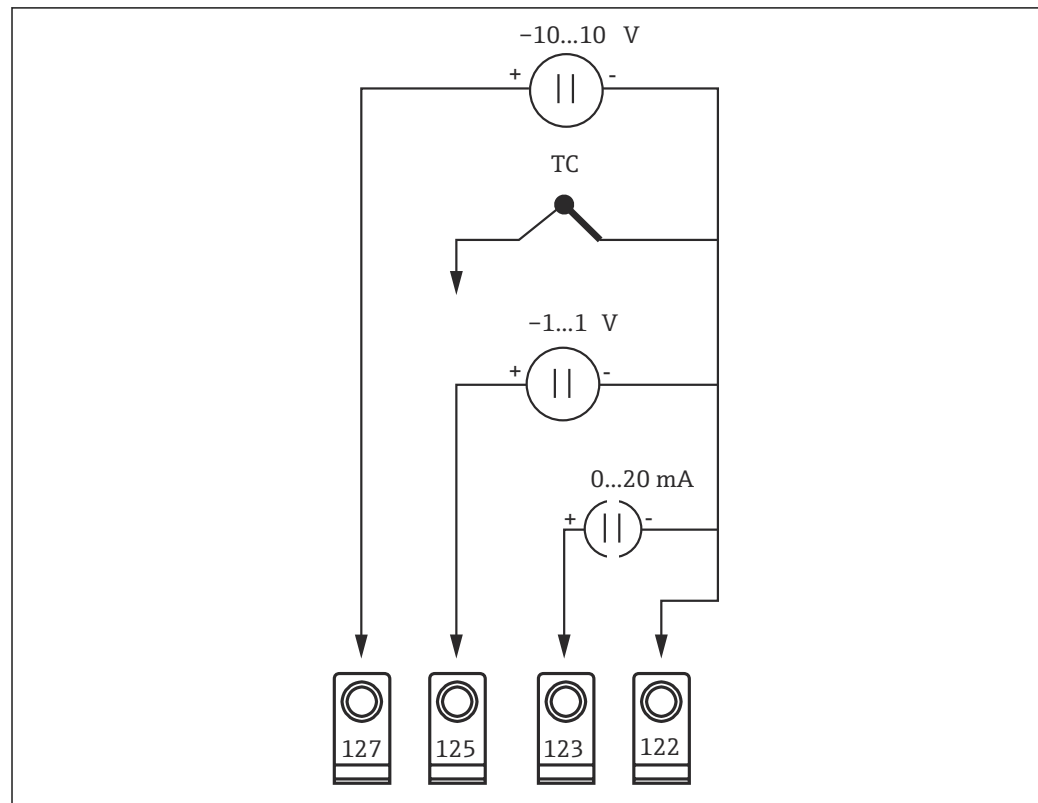
- Output: relay 1
  - Terminal 142: common relay 1 (COM)
  - Terminal 143: NO contact relay 1 (NO)
- Output: relay 2
  - Terminal 152: common relay 2 (COM)
  - Terminal 153: NO contact relay 2 (NO)

**Slots B IV, C IV, D IV**


- Output: relay 3
  - Terminal 145: common relay 3 (COM)
  - Terminal 146: NO contact relay 3 (NO)
- Output: relay 4
  - Terminal 155: common relay 4 (COM)
  - Terminal 156: NO contact relay 4 (NO)

**Slots B V, C V, D V**

- Output: relay 5
  - Terminal 242: common relay 5 (COM)
  - Terminal 243: NO contact relay 5 (NO)
- Output: relay 6
  - Terminal 252: common relay 6 (COM)
  - Terminal 253: NO contact relay 6 (NO)

**Terminal assignment of extension card "U-I-TC card" with intrinsically safe inputs**

A0039695

 18 U-I-TC card

 The card supports two input channels.

Channel 1 is supported by terminals 122, 123, 125 and 127.

Channel 2 is supported by terminals 222, 223, 225 and 227.

**Slots B I, C I, D I****U-I-TC Input 1**

- Terminal 127: -10 to +10 V input
- Terminal 125: -1 to +1 input, thermocouple
- Terminal 123: 0 to 20 mA input
- Terminal 122: input, signal ground

**Slots B II, C II, D II****U-I-TC Input 2**

- Terminal 227: -10 to +10 V input
- Terminal 225: -1 to +1 input, thermocouple
- Terminal 223: 0 to 20 mA input
- Terminal 222: input, signal ground

**Slots B III, C III, D III**

- Output: relay 1
  - Terminal 142: common relay 1 (COM)
  - Terminal 143: NO contact relay 1 (NO)
- Output: relay 2
  - Terminal 152: common relay 2 (COM)
  - Terminal 153: NO contact relay 2 (NO)

**Slots B IV, C IV, D IV**

- Output: current or pulse output 1 - active
  - Terminal 131: + 0 to 20 mA or 4 to 20 mA or pulse output 1
  - Terminal 132: - 0 to 20 mA or 4 to 20 mA pulse output 1
- Output: current or pulse output 2 - active
  - Terminal 133: + 0 to 20 mA or 4 to 20 mA or pulse output 2
  - Terminal 134: - 0 to 20 mA or 4 to 20 mA or pulse output 2


**Slots B V, C V, D V**

- Output: passive pulse output
  - Terminal 135: + pulse output 3 - open collector
  - Terminal 136: - pulse output 3
- Output: passive pulse output
  - Terminal 137: + pulse output 4 - open collector
  - Terminal 138: - pulse output 4

**Connecting the remote display and operating unit**


**Description of functions**

The remote display is an innovative addition to the powerful FML621 DIN rail device. The user has the opportunity to optimally install the arithmetic unit to suit the installation and mount the display and operating unit in a user-friendly way at easily accessible locations. The display can be connected to a DIN rail device both with and without an integrated display or operating unit. A 4-pin cable is supplied to connect the remote display with the basic unit. Other components are not necessary.

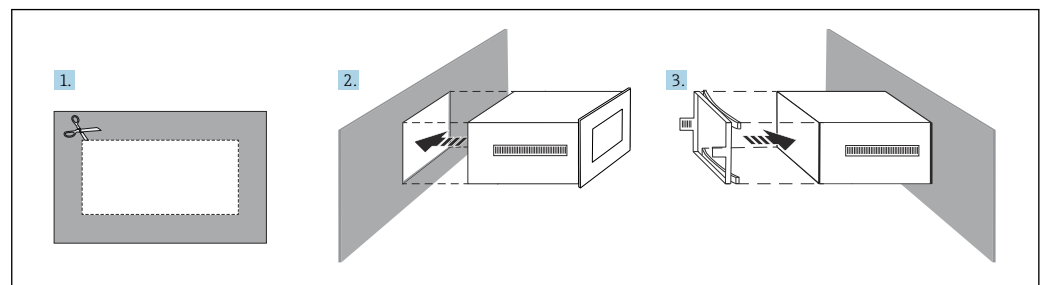
** Please note the following:**


- The remote display must be connected in order to use all of the functions of the operating unit
- Operating the unit solely with ReadWin® 2000 is not permitted
- Only ever connect one display or operating unit to the Density Computer FML621 (DIN rail device)

**Installing the remote display or operating unit**

- ** The mounting location of the display unit must be free from vibrations.
- The permitted ambient temperature during operation is -20 to +60 °C (-4 to +140 °F).  
The device must be protected against high temperatures or heat.

Installing the display unit

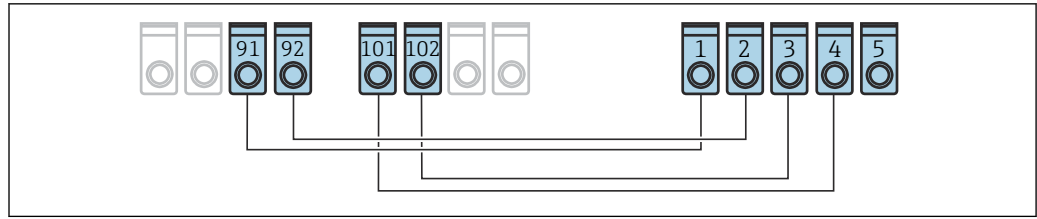


 19 Installing the display unit

1. Cut out a mounting opening with the following dimensions: 138 mm (5.43 in) x 68 mm (2.68 in), installation depth 43 mm (1.69 in).
2. Push the device, along with the sealing ring, through the cutout from the front.
3. Slide the securing frame over the rear of the housing and press it against the cabinet until the retaining clips click into place.
  - ↳ The display unit is now installed.

**Wiring**

The remote display and operating unit is connected directly to the basic unit using the enclosed cable.



A0039699

20 Wire connections between remote display unit and basic unit.

- 1 Terminal GDN - remote display unit
- 2 Terminal 24 V<sub>DC</sub> - remote display unit
- 3 Terminal + Rx Tx - remote display unit
- 4 Terminal - Rx Tx - remote display unit
- 5 Terminal PE - remote display unit
- 91 Terminal GND - slot A III - basic unit
- 92 Terminal 24 V<sub>DC</sub> - slot A III - basic unit
- 101 Terminal - Rx Tx - slot E III - basic unit
- 102 Terminal + Rx Tx - slot E III - basic unit

## Performance characteristics

### Reference operating conditions

#### Normal operating conditions for special calibration and Liquiphant Density

- Medium: water H<sub>2</sub>O
- Medium temperature: 0 to +80 °C (+32 to +176 °F), motionless fluid
- Ambient temperature: 24 °C (75 °F) ±5 °C (±9 °F)
- Moisture: max. 90 %
- Warm-up time: >30 min

#### Reference operating conditions of Density Computer FML621

- Power supply: 207 to 250 V<sub>AC</sub> ±10 %, 50 Hz, ±0.5 Hz
- Warm-up time: >30 min
- Ambient temperature: +25 °C (+77 °F), ±5 °C (±9 °F)
- Humidity: 39 % ±10 % rF.

### Measurement accuracy



The accuracy described here refers to the entire density measuring line.

#### General measuring conditions for accuracy data

- Measuring range: 0.3 to 2 g/cm<sup>3</sup> (18.7 to 125 lb/ft<sup>3</sup>) (0.3 to 2 SGU)
- Observe the distance between the tuning fork and the surface of the medium (> 50 mm (1.97 in))  
 see the "Orientation" section
- Measured error, temperature sensor: < 1 K
- Maximum viscosity: 350 mPa·s (3.5 P)
- Maximum flow velocity: 2 m/s (6.56 ft/s)
  - Laminar flow rate, bubble-free
  - For higher flow velocities, structural measures such as a bypass or an increase in pipe diameter must be taken to reduce the flow
- Process temperature: 0 to +80 °C (+32 to +176 °F) - validity of accuracy data
- Power supply as per FML621 specification
- Data as per DIN EN 61298-2
- Process pressure: -1 to +25 bar (-14.5 to +362.5 psi)

#### Measured error

1 g/cm<sup>3</sup> (62.4 lb/ft<sup>3</sup>) = 1 SGU (Specific Gravity Unit)

- Standard adjustment: ±0.02 g/cm<sup>3</sup> (±1.2 lb/ft<sup>3</sup>) (±1.2 % of the span 1.7 g/cm<sup>3</sup> (106.1 lb/ft<sup>3</sup>), under general measuring conditions)
- Special adjustment: ±0.005 g/cm<sup>3</sup> (±0.3 lb/ft<sup>3</sup>) (±0.3 % of span 1.7 g/cm<sup>3</sup> (106.1 lb/ft<sup>3</sup>), under normal operating conditions)
- Field adjustment: ±0.002 g/cm<sup>3</sup> (±0.1 lb/ft<sup>3</sup>), at operating point

**Non-repeatability - reproducibility**

1 g/cm<sup>3</sup> (62.4 lb/ft<sup>3</sup>) = 1 SGU (Specific Gravity Unit)

- Standard adjustment: ±0.002 g/cm<sup>3</sup> (±0.1 lb/ft<sup>3</sup>) (under general measuring conditions)
- Special adjustment: ±0.0007 g/cm<sup>3</sup> (±0.04 lb/ft<sup>3</sup>) (under normal operating conditions)
- Field adjustment: ±0.002 g/cm<sup>3</sup> (±0.1 lb/ft<sup>3</sup>), at operating point

**Factors influencing accuracy data**

- i
  - Clean the sensor (CIP/SIP) if process temperatures of up to 140 °C (284 °F) persist over a long period
  - All information relating to accuracy when determining the viscosity of liquids is based on Newtonian fluids
  - A density measurement can be performed in the following liquids: gels, viscoelastic gels, non-Newtonian elastic fluids, pseudoelastic and plastic-viscous fluids.
- Long-term drift typically: ±0.00002 g/cm<sup>3</sup> (±0.0012 lb/ft<sup>3</sup>) per day
- Temperature coefficient typically: ±0.0002 g/cm<sup>3</sup> (±0.002 lb/ft<sup>3</sup>) per 10 K
- Flow velocity in pipes: > 2 m/s (6.56 ft/s)
- Buildup on fork
- Air bubbles in the case of vacuum applications or improper installation
- Incomplete coverage of the fork
- In the event of changes in pressure >6 bar (87 psi), a pressure measurement is necessary for compensation
- In the event of changes in temperature >1 K, a temperature measurement is necessary for compensation
- Mechanical stress, such as deformation of the tuning fork, can impair accuracy and must be avoided
- Devices exposed to mechanical stress must be replaced

Cyclic field calibration can take place depending on the accuracy required.

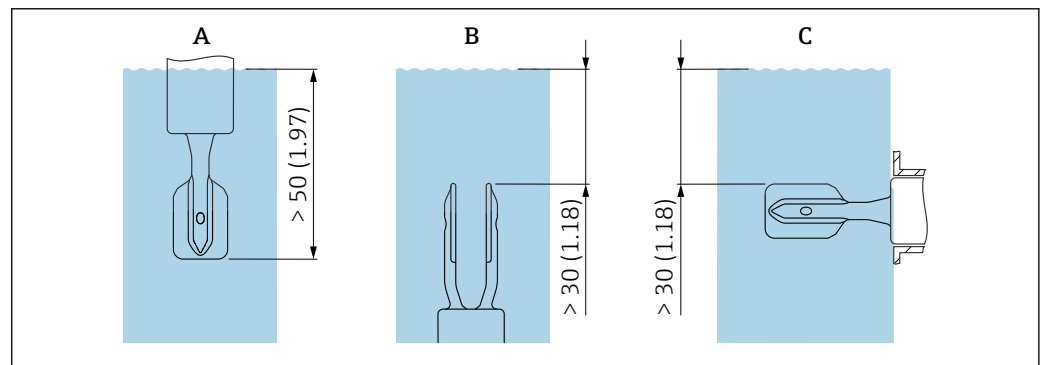
## Mounting

**Installation instructions for Liquiphant Density**

i The following information is supplemented by additional documentation for the Liquiphant (Endress+Hauser website [www.endress.com](http://www.endress.com) → Downloads)

**Orientation**

The mounting location must be selected such that the tuning fork and the membrane are always immersed in the medium.



i 21 Unit mm (in)

- A Installation from above
- B Installation from below
- C Installation from the side

- i
  - Avoid air bubbles in pipe or nozzle
  - Ensure suitable ventilation

**Input of correction factor "r"**

The measurement result is affected if the distance between the tuning fork and the wall of the tank or pipe is very short:

- The medium has to flow around the tuning fork.
- The tuning fork of Liquiphant requires space to vibrate.

The measured error can be compensated for by entering a correction factor "r".

Pipe nominal diameters with internal measurements <44 mm (1.73 in) are not permitted!

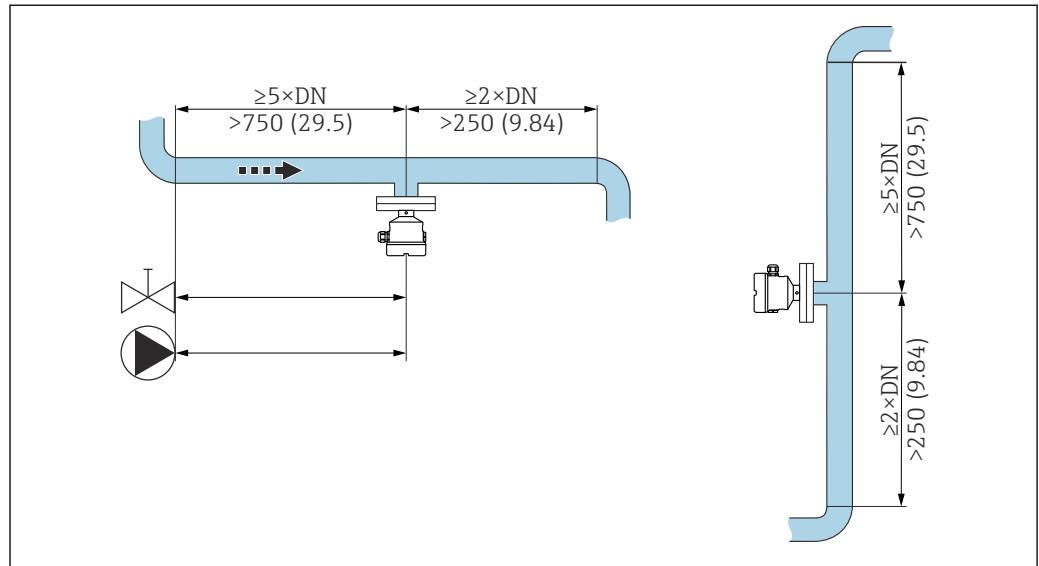
 For detailed information, please refer to the relevant Operating Instructions.


**Inlet and outlet runs***Inlet run*

If possible, install the sensor as far upstream as possible, e.g. valves, T-pieces, elbows, flange elbows, etc.

To comply with the accuracy specification, the inlet run must meet the following requirements:

Inlet run:  $\geq 5 \times \text{DN}$  (nominal diameter) - min. 750 mm (29.5 in)



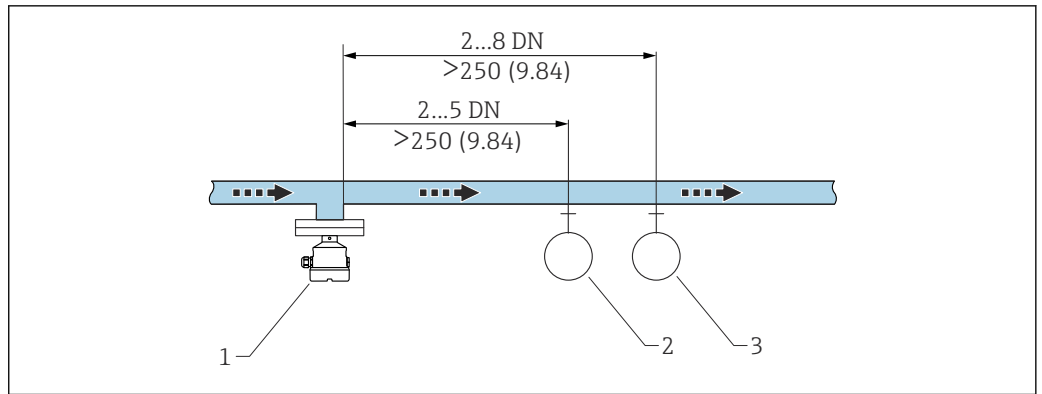
 22 Installing the inlet run. Unit of measurement mm (in)

*Outlet run*

To comply with the accuracy specification, the outlet run must meet the following requirements:

Outlet run:  $\geq 2 \times \text{DN}$  (nominal diameter) - min. 250 mm (9.84 in)

The pressure and temperature sensor must be installed on the outlet side of the flow direction after the Liquiphant density sensor. When installing pressure and temperature measuring points downstream of the device, make sure the distance between the measuring point and the measuring device is sufficient.



A0039701

23 Installing the outlet run. Unit of measurement mm (in)

- 1 Liquiphant density sensor
- 2 Pressure measuring point
- 3 Temperature measuring point

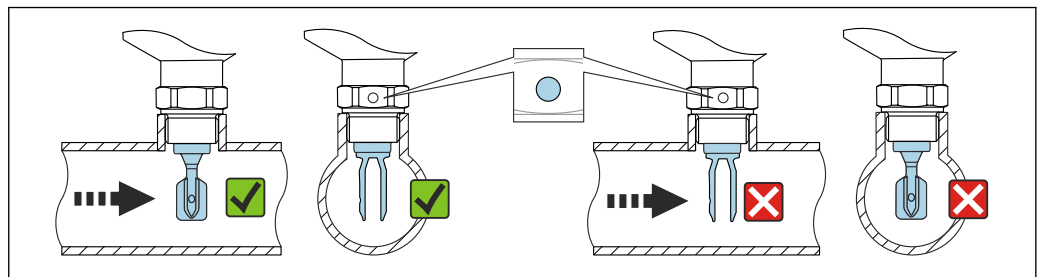
### Installing the device in piping

#### NOTICE

#### Incorrect alignment of the tuning fork

Vortices and eddies can falsify the measuring result.

- ▶ Align the tuning fork in the flow direction for internal fixtures in pipes or tanks with an agitator.
  - The flow velocity of the medium must not exceed 2 m/s (6.56 ft/s) during operation
  - Flow velocity > 2 m/s: Separate the tuning fork from the direct flow of media by using structural features such as a bypass or pipe expansion to reduce the flow velocity to max. 2 m/s (6.56 ft/s)
  - The flow will not be significantly impeded if the tuning fork is correctly aligned and the marking is pointing in the direction of flow.
  - A marking on the process connection indicates the position of the tuning fork.  
Threaded connection = dot on the hexagon head; flange = two lines on the flange.  
The marking is visible when installed.

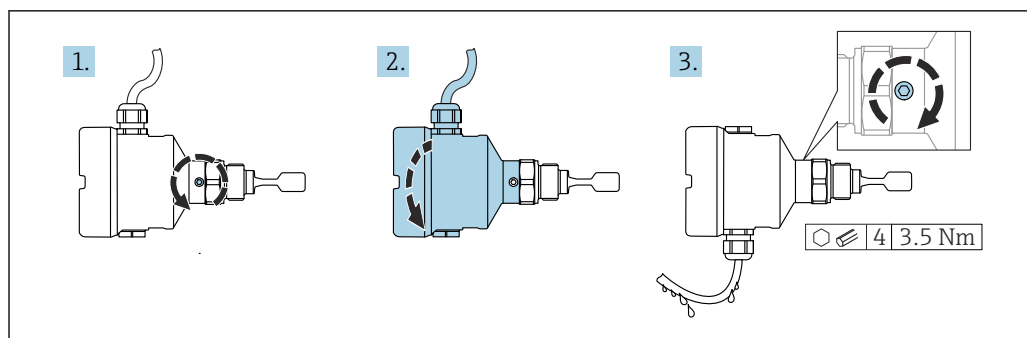


A0034851

24 Installation in pipes (take fork position and marking into consideration)

### Aligning the cable entry

- i** Housings with locking screw:
  - The housing can be turned and the cable aligned by turning the locking screw.
  - The locking screw is not tightened when the device is delivered.



A0037347

25 Housing with external locking screw and drip loop

## Density Computer FML621

### Mounting location

Mount the device in a cabinet on a DIN rail as per IEC 60715.

### Orientation

No restrictions.

## Environment

### Liquiphant Density

#### Ambient temperature range

-40 to 70 °C (-40 to 158 °F)

The minimum permitted ambient temperature of the plastic housing is limited to -20 °C (-4 °F); 'indoor use' applies for North America.

Outdoor operation in strong sunlight:

- Mount the device in a shaded location
- Avoid direct sunlight, particularly in warmer climatic regions
- Use a weather protection cover, can be ordered as an accessory



Further information on using the device in hazardous areas (ATEX) and on documentation that is currently available can be found on the Endress+Hauser website: [www.endress.com](http://www.endress.com) → Downloads.

#### Storage temperature

-40 to +80 °C (-40 to +176 °F)

#### Operating altitude

As per IEC 61010-1 Ed.3:

- Up to 2 000 m (6 600 ft) above sea level
- Can be extended to 3 000 m (9 800 ft) above sea level if overvoltage protection is used

#### Climate class

As per IEC 60068-2-38 test Z/AD

#### Degree of protection

Testing according to IEC 60529 and NEMA 250

IP68 test condition: 1.83 m H<sub>2</sub>O for 24 h

#### Housing

See cable entries



#### Cable entries

- M20 threaded joint, plastic, IP66/68 NEMA Type 4X/6P
- M20 threaded joint, nickel-plated brass, IP66/68 NEMA Type 4X/6P
- M20 threaded joint, 316L, IP66/68 NEMA Type 4X/6P
- M20 thread, IP66/68 NEMA Type 4X/6P
- G ½ thread, NPT ½, NPT ¾ IP66/68 NEMA Type 4X/6P

Degree of protection for M12 plug

- When housing is closed and connecting cable is plugged in: IP66/67 NEMA Type 4X
- When housing is open or connecting cable is not plugged in: IP20, NEMA Type 1

#### NOTICE

##### M12 plug: Loss of IP protection class due to incorrect installation!

- ▶ The degree of protection only applies if the connecting cable used is plugged in and screwed tight.
- ▶ The degree of protection only applies if the connecting cable used is specified according to IP67 NEMA Type 4X.



If the "M12 plug" option is selected as the electrical connection, **IP66/67 NEMA Type 4X** applies for all housing types.

#### Pollution degree

Pollution degree 2

---

### Density Computer FML621

#### Ambient temperature range



##### Extension cards generate additional heat.

Destruction of electronic components.

- ▶ Install additional ventilation with a minimum air current of 0.5 m/s (1.64 ft/s).

Temperature range: -20 to 50 °C (-4 to 122 °F).

#### Storage temperature

-30 to 70 °C (-22 to 158 °F)

#### Climate class

As per IEC 60654-1 Class B2/EN 1434 Class "C" - no condensation permitted.

#### Electrical safety

As per IEC 61010-1: operating environment at altitudes of < 2 000 m (6 560 ft) above sea level.

#### Degree of protection

- Basic unit: IP20
- Remote operating and display unit: front IP65

#### Electromagnetic compatibility

##### Interference emission

IEC 61326 Class A

##### Interference immunity

- Power failure: 20 ms, no effect
- Starting current limitation:  $I_{max}/I_n < 50\%$  (T 50 % ≤ 50 ms)
- Electromagnetic fields: 10 V/m (3.048 V/ft) as per IEC 61000-4-3
- Conducted HF: 0.15 to 80 Hz, 10 V as per IEC 61000-4-3
- Electrostatic discharge: 6 kV contact, indirect as per IEC 61000-4-2
  - Burst pulses - power supply: 2 kV as per IEC 61000-4-4
  - Burst pulses - signal: 1 kV/2 kV as per IEC 61000-4-4
  - Voltage peak - AC power supply: 1 kV/2 kV as per IEC 61000-4-5
  - Voltage peak - DC power supply: 1 kV/2 kV as per IEC 61000-4-5
  - Voltage peak - signal: 0.5 kV/1 kV as per IEC 61000-4-5

## Liquiphant Density process


**Process temperature range** 0 to 80 °C (32 to 176 °F)

**Thermal shock** ≤ 120 K/s

**Process pressure range** -1 to +25 bar (-14.5 to +362.5 psi)

**⚠ WARNING**

The maximum pressure for the device depends on the lowest-rated element, with regard to pressure, of the selected component. This means that it is necessary to pay attention to the process connection as well as the sensor.

- ▶ Pressure specifications,  Technical Information, "Mechanical construction" section.
- ▶ Only operate the device within the specified limits!
- ▶ The Pressure Equipment Directive (2014/68/EU) uses the abbreviation "PS". The abbreviation "PS" corresponds to the MWP (maximum working pressure) of the device.

**Pressure tightness** Up to vacuum

**Solids contents**  $\varnothing \leq 5$  mm (0.2 in)

## Mechanical construction of Liquiphant Density

**Design, dimensions**

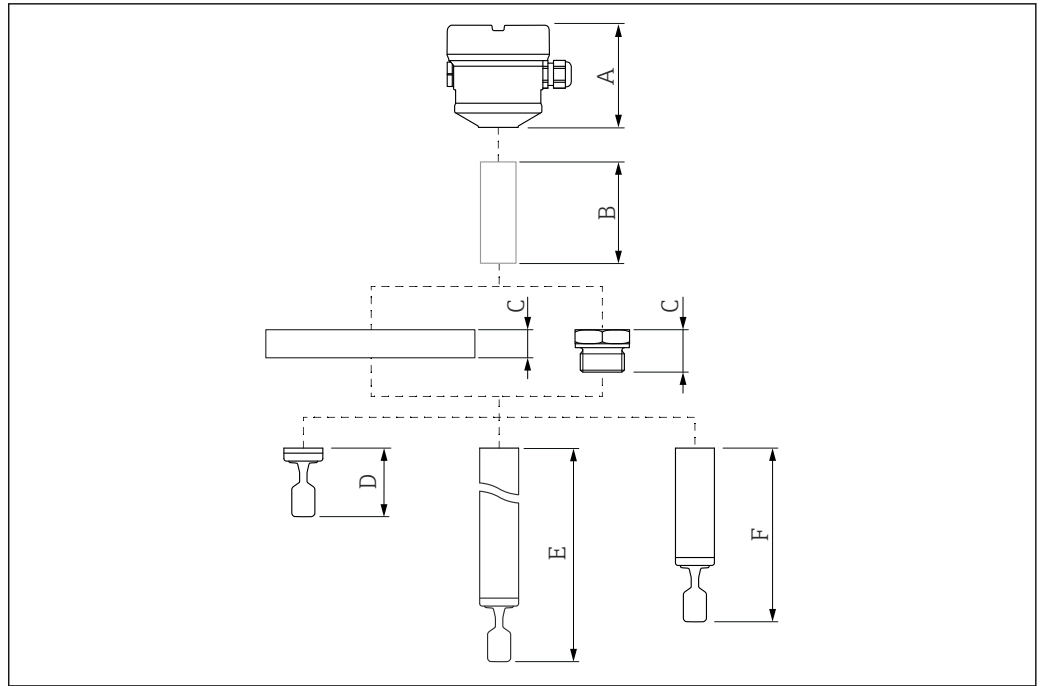
### Device height

The device height consists of the following components:

- Housing including cover
- Temperature spacer and/or pressure-tight feedthrough (second line of defense), optional
- Process connection
- Probe design: compact version, pipe extension or short pipe version

The individual heights of the components can be found in the following sections:

- Determine the height of the device and add the individual heights
- Take the installation clearance into consideration (space that is needed to install the device)



A0036841

26 Components to determine the device height

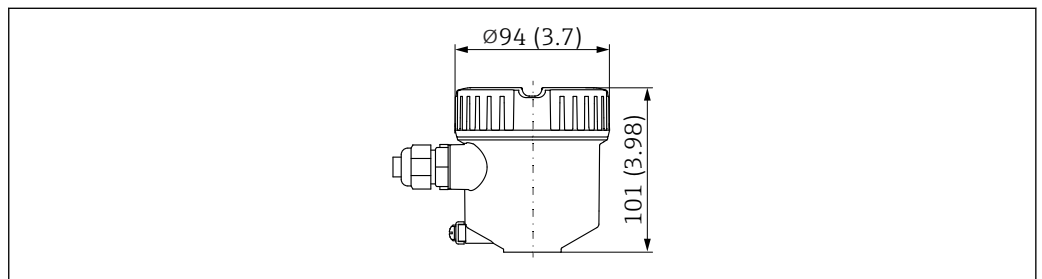
- A Housing with electronic insert FEL60D and cover
- B Temperature spacer, pressure-tight feedthrough (second line of defense), optional
- C Process connection
- D Probe design: compact version with tuning fork
- E Probe design: pipe extension with tuning fork
- F Probe design: short pipe version with tuning fork

**Dimensions**

**Housing and cover**

All housings can be aligned. The housing alignment can be fixed on housings with a locking screw.

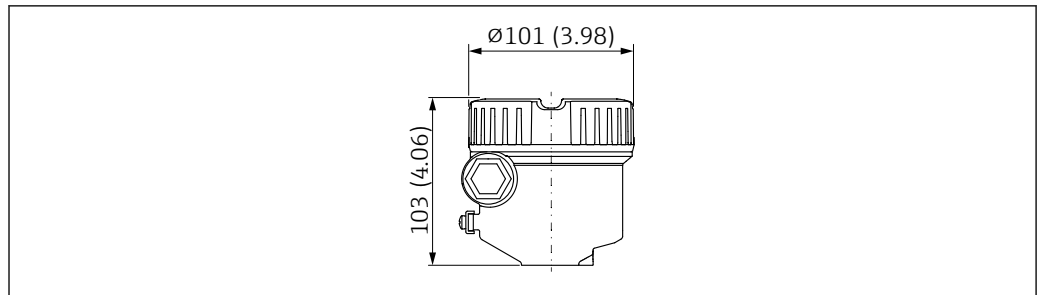
*Single compartment housing, plastic*



A0051909

27 Dimensions of single compartment housing, plastic; cover without sight glass. Unit of measurement mm (in)

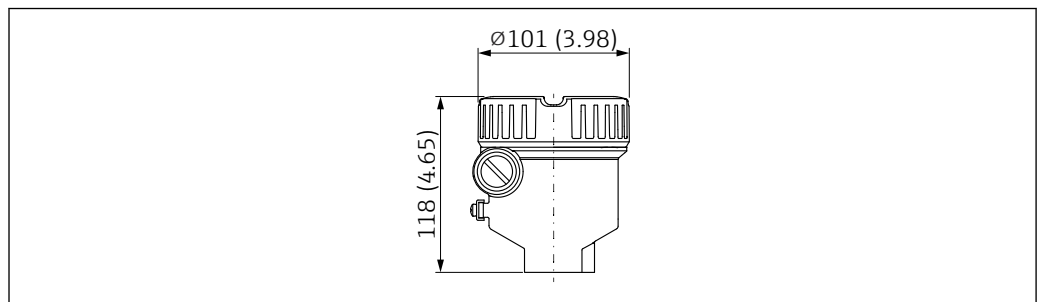
Single compartment housing, aluminium, coated



A0052195

- 28 Dimensions of single compartment housing, aluminium; cover without sight glass. Unit of measurement mm (in)

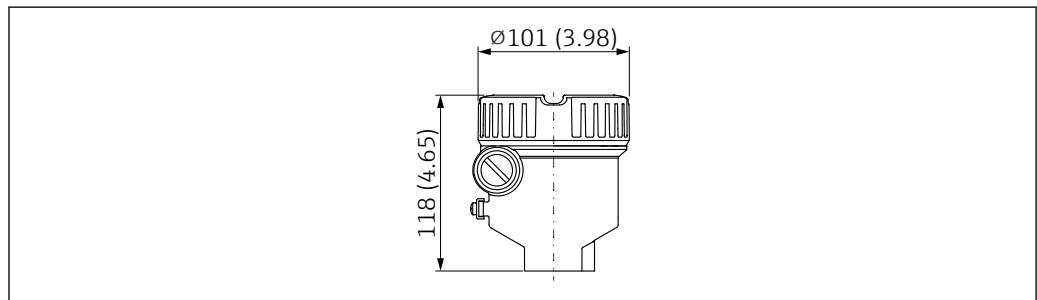
Single compartment housing, aluminum, coated (Ex d/XP, dust ignition-proof)



A0052194

- 29 Dimensions of single compartment housing, aluminum, coated; suitable for Ex d/XP, dust ignition-proof; cover without sight glass. Unit of measurement mm (in)

Single compartment housing, 316L

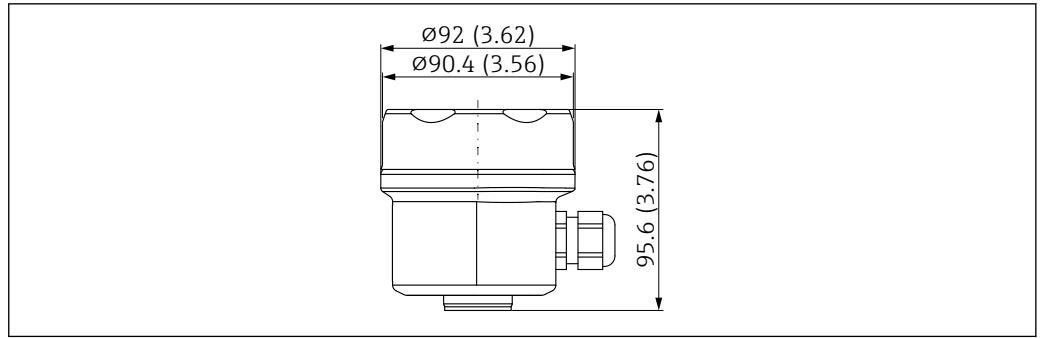


A0052194

- 30 Dimensions of single compartment housing, 316L; with Ex d/XP also, dust ignition-proof; cover without sight glass. Unit of measurement mm (in)

Single compartment housing, 316L, hygienic

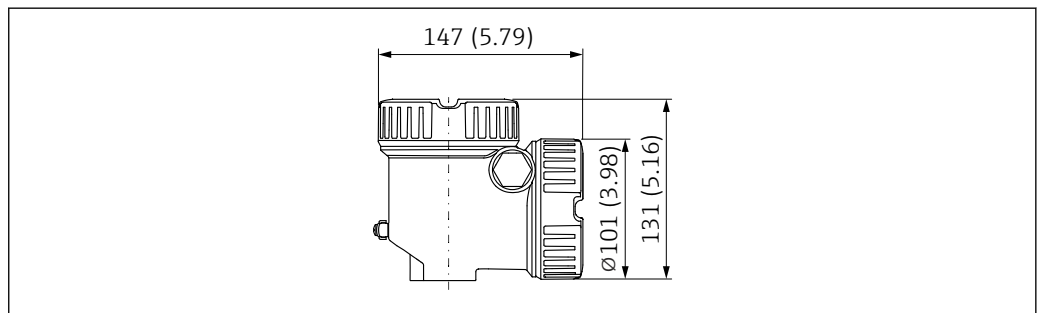
- i** The housing with ground terminal and cover with cover lock are required for use in hazardous areas with a certain type of protection.



A0051667

31 Dimensions of single compartment housing, 316L, hygienic; cover without sight glass. Unit of measurement mm (in)

Dual compartment housing, L-shaped, aluminum, coated



A0051625

32 Dimensions of dual compartment housing, L-shaped, aluminum, coated; also with Ex d/XP, dust ignition-proof; cover without sight glass. Unit of measurement mm (in)

Ground terminal

- Ground terminal inside the housing, max. conductor cross-section 2.5 mm<sup>2</sup> (14 AWG)
- Ground terminal outside on the housing, max. conductor cross-section 4 mm<sup>2</sup> (12 AWG)

Cable glands

Cable diameter:

- Plastic: Ø5 to 10 mm (0.2 to 0.38 in)
- Nickel-plated brass: Ø7 to 10.5 mm (0.28 to 0.41 in)
- Stainless steel: Ø7 to 12 mm (0.28 to 0.47 in)



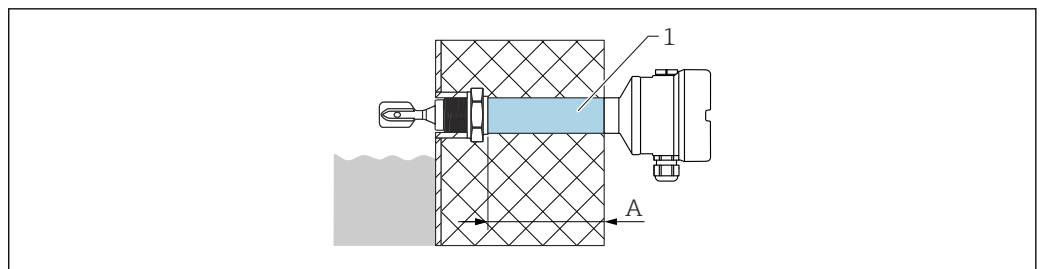
The scope of delivery comprises:

- 1 cable gland installed
- 1 cable gland sealed with dummy plug

Exceptions: with Ex d/XP, only threaded entries are permitted.

Temperature spacer, pressure-tight feedthrough (optional)

The temperature spacer provides sealed insulation for the vessel.



A0036845

1 Temperature spacer and/or pressure-tight feedthrough with maximum insulation length  
 A 140 mm (5.51 in)

Product Configurator, feature "Sensor design":


- Temperature spacer
- Pressure-tight feedthrough (second line of defense)  
If the sensor is damaged, this protects the housing from vessel pressures up to 100 bar (1 450 psi).

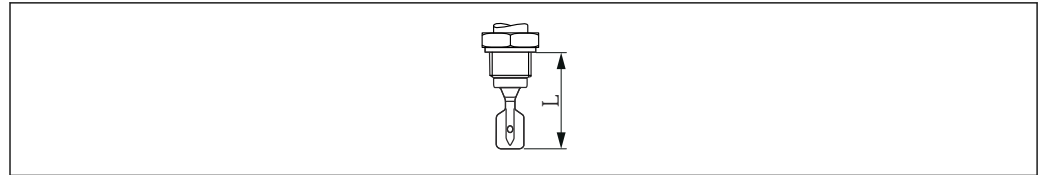
**i** The "Pressure-tight feedthrough" version can only be selected in conjunction with the "Temperature spacer" option.

### Probe design

#### Compact version

Sensor length L: depends on process connection

 For further details, see the "Process connections" section.



A0042435

 33 Probe design: compact version, sensor length L

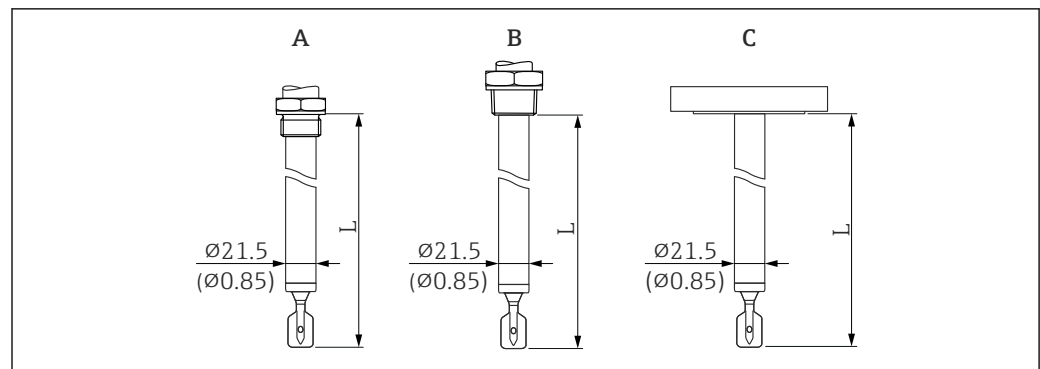
#### Short pipe version

Sensor length L: depends on process connection

- Flange: approx. 115 mm (4.53 in)
- G ¾ thread: approx. 115 mm (4.53 in)
- G 1 thread: approx. 118 mm (4.65 in)
- NPT thread, R: approx. 99 mm (3.9 in)
- Tri-Clamp: approx. 115 mm (4.53 in)
- Flush mount 1" (G 1 welding boss from Endress+Hauser): approx. 104 mm (4.09 in)

#### Pipe extension

- Sensor lengths L: 148 to 3 000 mm or 5.83 to 118.11 in (material: Alloy C)
- Length tolerances L: < 1 m (3.3 ft) = -5 mm (-0.2 in), 1 to 3 m (3.3 to 9.8 ft) = -10 mm (-0.39 in)

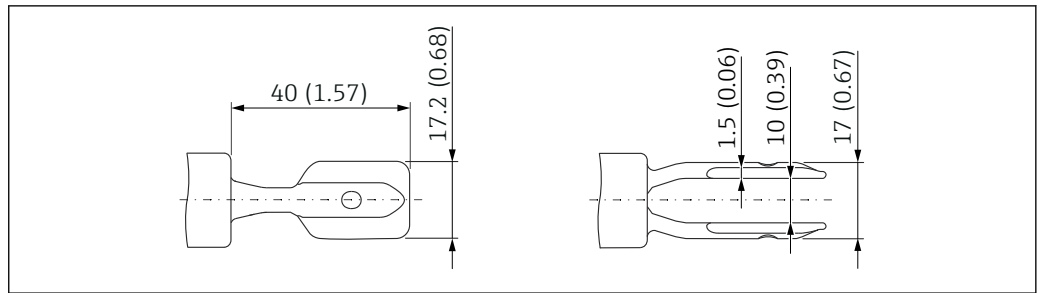


A0036860

 34 Probe designs: pipe extension, short pipe version (sensor length L). Unit of measurement mm (in)

- A G ¾, G 1  
 B NPT ¾, NPT 1, R ¾, R 1  
 C Flange, Tri-Clamp/Tri-Clamp

**Tuning fork**



A0038269

35 Tuning fork. Unit of measurement mm (in)

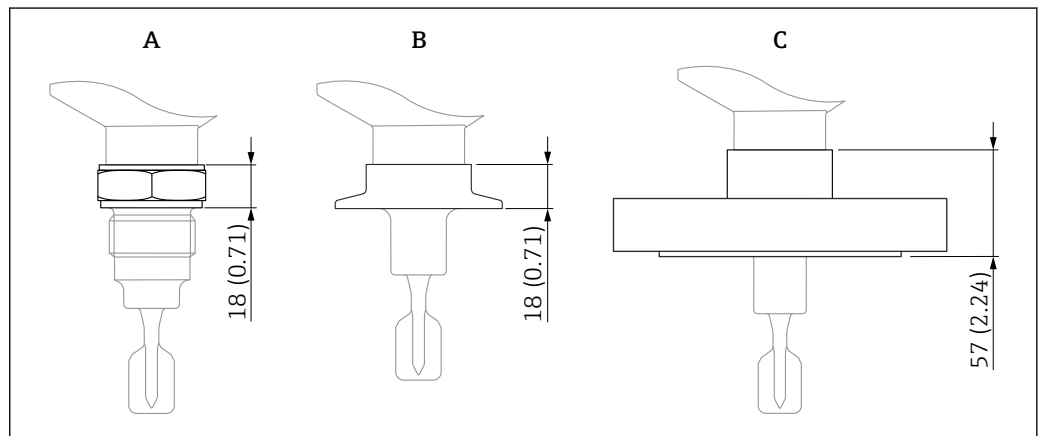
**Process connections**

**i** Observe the permitted process temperature 0 to +80 °C (+32 to +176 °F). Higher temperatures affect the measurement accuracy.

*Process connection, sealing surface*

- Thread ISO228, G
- Thread ASME, B1.20.1 NPT
- Thread EN10226, R
- Clamp/Tri-Clamp
- Flange ASME B16.5, RF (Raised Face)
- Flange ASME B16.5, FF (Flat Face)
- Flange ASME B16.5, RTJ (Ring Type Joint)
- Flange EN1092-1, Form A
- Flange EN1092-1, Form B1
- Flange EN1092-1, Form C
- Flange EN1092-1, Form D
- Flange EN1092-1, Form E
- Flange JIS B2220, RF (Raised Face)

*Height of process connection*



A0046284

36 Maximum height specification for the process connections. Unit of measurement mm (in)

- A Process connection with threaded connection
- B Process connection with clamp/Tri-Clamp
- C Process connection with flange

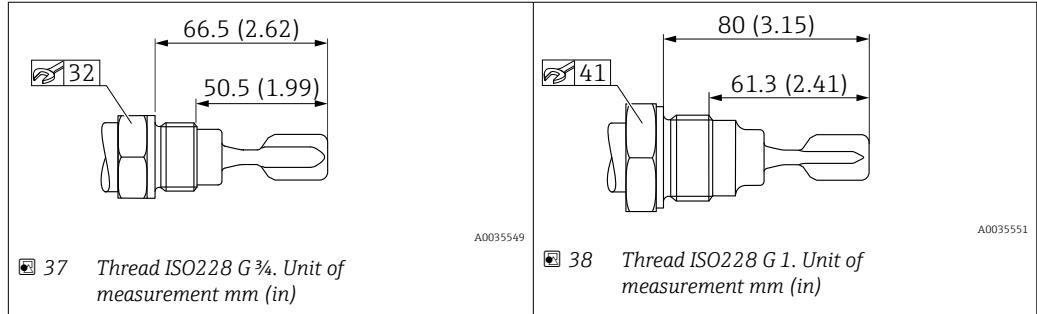
*Thread ISO228 G for installing in weld-in adapter*

G 3/4, G 1 suitable for installation in weld-in adapter

- Material: 316L
- Pressure rating, temperature: ≤ 40 bar (580 psi), ≤ +100 °C (+212 °F)
- Pressure rating, temperature: ≤ 25 bar (363 psi), ≤ +150 °C (+302 °F)

- Weight G ¾: 0.2 kg (0.44 lb)
- Weight G 1: 0.33 kg (0.73 lb)
- Accessory: weld-in adapter

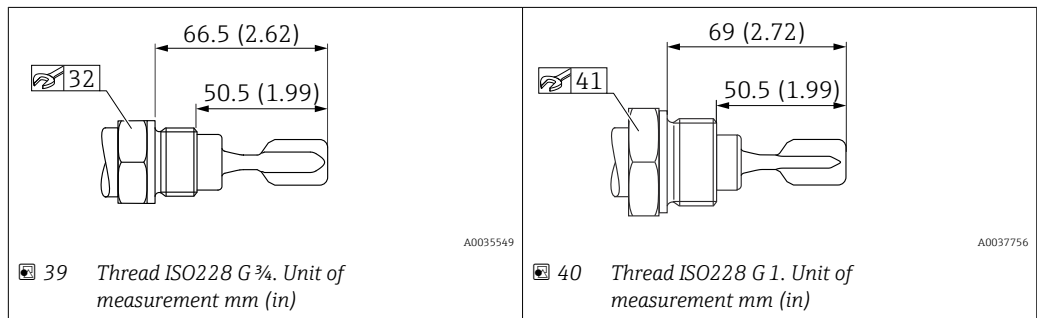
**i** The weld-in adapter is not included in the scope of delivery. It can optionally be ordered as an accessory.



*Thread ISO228 G with flat seal*

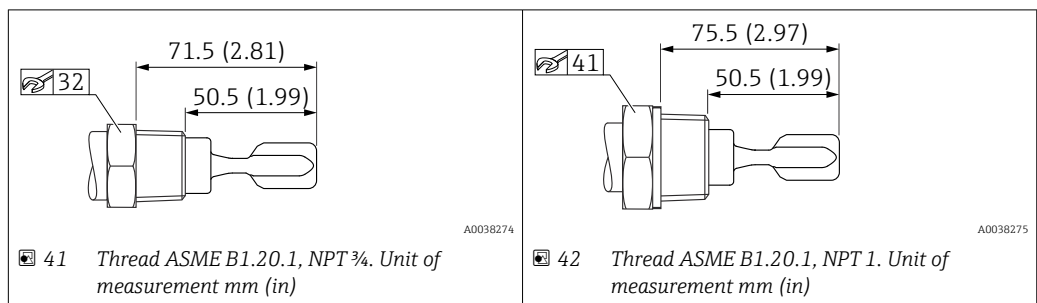
G ¾, G 1

- Material: 316L
- Pressure rating: ≤ 25 bar (363 psi)
- Temperature: ≤ 150 °C (302 °F)
- Weight G ¾: 0.2 kg (0.44 lb)
- Weight G 1: 0.33 kg (0.73 lb)



*Thread ASME B1.20.1, NPT*

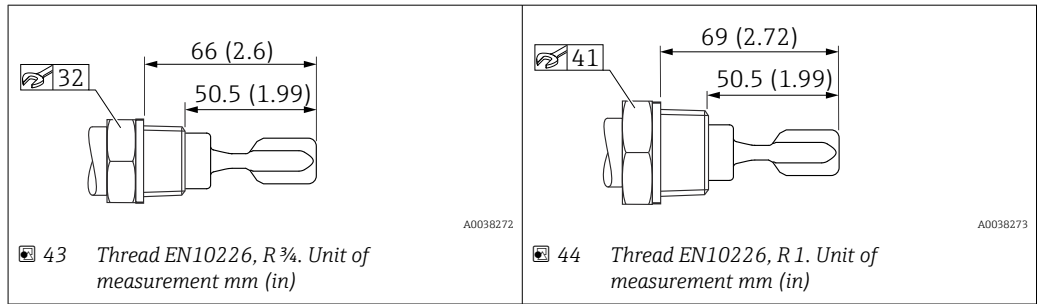
- Material: 316L
- Pressure rating: ≤ 100 bar (1 450 psi)
- Temperature: ≤ 150 °C (302 °F)
- Weight: 0.3 kg (0.66 lb)



*Thread EN10226, R*

- Material: 316L
- Pressure rating: ≤ 100 bar (1 450 psi)
- Temperature: ≤ 150 °C (302 °F)
- Weight: 0.3 kg (0.66 lb)





**Tri-Clamp**

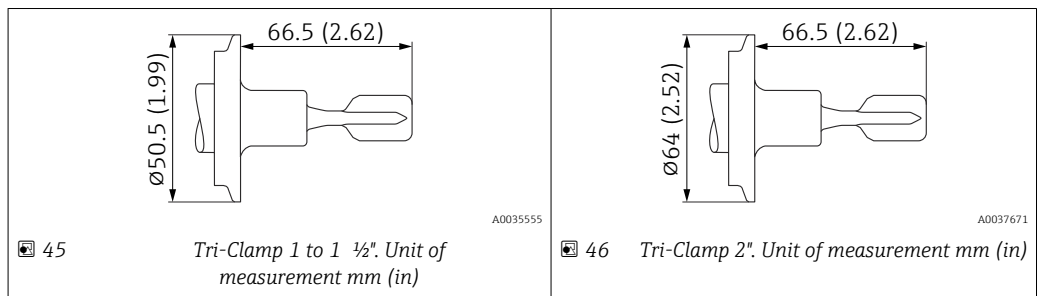
ISO2852 DN25-38 (1 to 1 ½"), DIN32676 DN25-40

- Material: 316L
- Pressure rating: ≤ 25 bar (363 psi)
- Temperature: ≤ 150 °C (302 °F)
- Weight: 0.22 kg (0.49 lb)

ISO2852 DN40-51 (2"), DIN32676 DN50

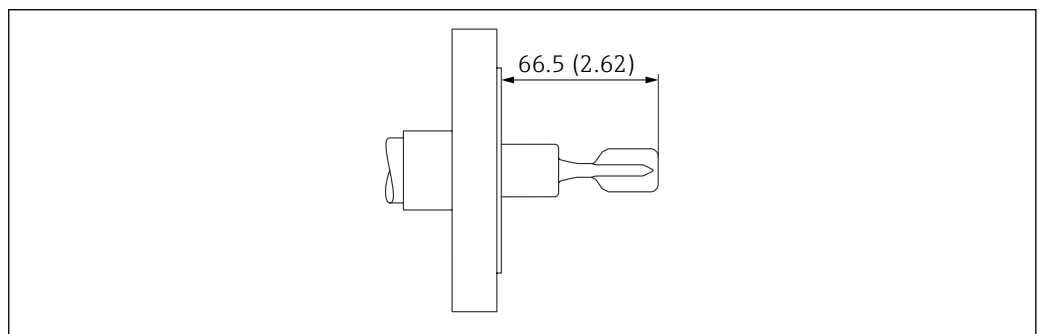
- Material: 316L
- Pressure rating: ≤ 25 bar (363 psi)
- Temperature: ≤ 150 °C (302 °F)
- Weight: 0.3 kg (0.66 lb)

**i** The maximum temperature and the maximum pressure are dependent on the clamping ring and the seal used. The lowest value applies in each case.



**Flanges**

AlloyC22-plated flanges are available for higher chemical resistance. The flange carrier material is made of 316L and is welded to an AlloyC22 disk.



**47** Example with flange. Unit of measurement mm (in)

**ASME B16.5 flanges, RF**

Pressure rating	Type	Material	Weight
Cl.150	NPS 1"	316/316L	1.0 kg (2.21 lb)
Cl.150	NPS 1-¼"	316/316L	1.2 kg (2.65 lb)

Pressure rating	Type	Material	Weight
Cl.150	NPS 2"	316/316L	2.4 kg (5.29 lb)
Cl.150	NPS 2"	AlloyC22>316/316L	2.4 kg (5.29 lb)
Cl.150	NPS 1-½"	316/316L	1.5 kg (3.31 lb)
Cl.150	NPS 3"	316/316L	4.9 kg (10.8 lb)
Cl.150	NPS 4"	316/316L	7.0 kg (15.44 lb)
Cl.300	NPS 1-¼"	316/316L	2.0 kg (4.41 lb)
Cl.300	NPS 1-½"	316/316L	2.7 kg (5.95 lb)
Cl.300	NPS 2"	316/316L	3.2 kg (7.06 lb)
Cl.300	NPS 3"	316/316L	6.8 kg (14.99 lb)
Cl.300	NPS 3"	AlloyC22>316/316L	6.8 kg (14.99 lb)
Cl.300	NPS 4"	316/316L	11.5 kg (25.6 lb)
Cl.600	NPS 2"	316/316L	4.2 kg (9.26 lb)
Cl.600	NPS 3"	316/316L	6.8 kg (14.99 lb)

*ASME B16.5 flanges, FF*

Pressure rating	Type	Material	Weight
Cl.150	NPS 1"	316/316L	1.0 kg (2.21 lb)
Cl.150	NPS 2"	316/316L	2.4 kg (5.29 lb)
Cl.300	NPS 1-½"	316/316L	2.7 kg (5.95 lb)
Cl.300	NPS 2"	316/316L	3.2 kg (7.06 lb)

*ASME B16.5 flanges, RTJ*

Pressure rating	Type	Material	Weight
Cl.300	NPS 2"	316/316L	3.2 kg (7.06 lb)
Cl.300	NPS 4"	316/316L	11.5 kg (25.6 lb)
Cl.600	NPS 2"	316/316L	4.2 kg (9.26 lb)
Cl.600	NPS 3"	316/316L	6.2 kg (13.67 lb)

*EN flanges EN 1092-1, A*

Pressure rating	Type	Material	Weight
PN6	DN32	316L (1.4404)	1.2 kg (2.65 lb)
PN6	DN40	316L (1.4404)	1.4 kg (3.09 lb)
PN6	DN50	316L (1.4404)	1.6 kg (3.53 lb)
PN10/16	DN80	316L (1.4404)	4.8 kg (10.58 lb)
PN10/16	DN100	316L (1.4404)	5.6 kg (12.35 lb)
PN25/40	DN25	316L (1.4404)	1.3 kg (2.87 lb)
PN25/40	DN32	316L (1.4404)	2.0 kg (4.41 lb)
PN25/40	DN40	316L (1.4404)	2.4 kg (5.29 lb)
PN25/40	DN50	316L (1.4404)	3.2 kg (7.06 lb)
PN25/40	DN65	316L (1.4404)	4.3 kg (9.48 lb)
PN25/40	DN80	316L (1.4404)	5.9 kg (13.01 lb)

Pressure rating	Type	Material	Weight
PN25/40	DN100	316L (1.4404)	7.5 kg (16.54 lb)
PN40	DN50	316L (1.4404)	3.2 kg (7.06 lb)
PN100	DN50	316L (1.4404)	5.5 kg (12.13 lb)

*EN flanges EN 1092-1, B1*

Pressure rating	Type	Material	Weight
PN6	DN32	316L (1.4404)	1.2 kg (2.65 lb)
PN6	DN50	316L (1.4404)	1.6 kg (3.53 lb)
PN6	DN50	AlloyC22>316L	1.6 kg (3.53 lb)
PN10/16	DN100	316L (1.4404)	5.6 kg (12.35 lb)
PN10/16	DN100	AlloyC22>316L	5.6 kg (12.35 lb)
PN25/40	DN25	316L (1.4404)	1.4 kg (3.09 lb)
PN25/40	DN25	AlloyC22>316L	1.4 kg (3.09 lb)
PN25/40	DN50	316L (1.4404)	3.2 kg (7.06 lb)
PN25/40	DN50	AlloyC22>316L	3.2 kg (7.06 lb)
PN25/40	DN80	316L (1.4404)	5.9 kg (13.01 lb)
PN25/40	DN80	AlloyC22>316L	5.2 kg (11.47 lb)
PN100	DN50	316L (1.4404)	5.5 kg (12.13 lb)

*EN flanges EN 1092-1, C*

Type	Material	Pressure rating	Weight
DN32	316L (1.4404)	PN6	1.2 kg (2.65 lb)
DN50	316L (1.4404)	PN25/40	3.2 kg (7.06 lb)

*EN flanges EN 1092-1, D*

Type	Material	Pressure rating	Weight
DN32	316L (1.4404)	PN6	1.2 kg (2.65 lb)
DN50	316L (1.4404)	PN25/40	3.2 kg (7.06 lb)

*EN flanges EN 1092-1, E*

Type	Material	Pressure rating	Weight
DN32	316L (1.4404)	PN6	1.2 kg (2.65 lb)
DN50	316L (1.4404)	PN25/40	3.2 kg (7.06 lb)

*JIS flanges B2220*

Pressure rating	Type	Material	Weight
10K	10K 25A	316L (1.4404)	1.3 kg (2.87 lb)
10K	10K 40A	316L (1.4404)	1.5 kg (3.31 lb)
10K	10K 50A	316L (1.4404)	1.7 kg (3.75 lb)
10K	10K 50A	AlloyC22>316L	1.7 kg (3.75 lb)

Pressure rating	Type	Material	Weight
10K	10K 80A	316L (1.4404)	2.2 kg (4.85 lb)
10K	10K 100A	316L (1.4404)	2.8 kg (6.17 lb)

## Weight

### Basic weight: 0.65 kg (1.43 lb)

The basic weight comprises:

- Probe design: compact version
- Electronic insert
- Housing: single compartment, plastic with cover
- Thread, G ¾

 Differences in weight are caused by the housing and cover selected.

### Housing

- Single compartment, aluminum, coated: 0.8 kg (1.76 lb)
- Single compartment; 316L: 2.1 kg (4.63 lb)
- Single compartment; 316L, hygienic: 0.45 kg (0.99 lb)
- Dual compartment, L-shaped; aluminum, coated: 1.22 kg (2.69 lb)

### Temperature spacer

0.6 kg (1.32 lb)

### Pressure-tight feedthrough

0.7 kg (1.54 lb)

### Pipe extension

- 1 000 mm: 0.9 kg (1.98 lb)
- 50 in: 1.15 kg (2.54 lb)

### Process connection

See "Process connections" section

### Protective cover, plastic

0.2 kg (0.44 lb)

### Protective cover, 316L

0.93 kg (2.05 lb)

## Materials

### Materials in contact with process


*Process connection and pipe extension*

316L (1.4404 or 1.4435)  
Optional Alloy C22 (2.4602)

*Tuning fork*


316L (1.4435)  
Optional Alloy C22 (2.4602)


*Flanges*

- Flanges,  mechanical construction
- Flange plating: Alloy C22 (2.4602)

*Seals*

Flat seal for process connection G ¾ or G 1: fiber-reinforced elastomer seal, asbestos-free according to DIN 7603

-  Scope of delivery with flat seal according to DIN7603
- Metric thread G ¾, G 1 standard
  - Metric thread G ¾, G 1 for installation in weld-in adapter

 Scope of delivery without seal

- Tri-Clamp
- Flanges
- R and NPT thread

### Materials not in contact with process

#### *Plastic housing*

- Housing: PBT/PC
- Dummy cover: PBT/PC
- Cover seal: EPDM
- Potential equalization: 316L
- Seal under potential equalization: EPDM
- Plug: PBT-GF30-FR
- M20 cable gland: PA
- Seal on plug and cable gland: EPDM
- Threaded adapter as substitute for cable glands: PA66-GF30
- Nameplate: plastic foil
- TAG plate: plastic foil, metal or provided by customer

#### *Aluminum housing, coated*

- Housing: aluminum EN AC 43400
- Dummy cover: aluminum EN AC 43400
- Cover seal materials: HNBR
- Cover seal materials: FVMQ
- Plug: aluminum  
Plastic (PBT-GF30-FR) in Ex-free, Ex i or IS combination with cable gland, plastic, M20 thread or G ½ thread
- Nameplate: plastic foil
- TAG plate: plastic foil, stainless steel or provided by the customer
- M20 cable glands: select material (stainless steel, nickel-plated brass, polyamide)

#### *Stainless steel housing, 316L*

- Housing: stainless steel AISI 316L (1.4409)
- Cover: stainless steel AISI 316L (1.4409)
- Cover seal materials: FVMQ
- Cover seal materials: HNBR
- Plug: stainless steel
- Nameplate: stainless steel housing labeled directly
- TAG plate: plastic foil, stainless steel or provided by the customer
- M20 cable glands: select material (stainless steel, nickel-plated brass, polyamide)

#### *Stainless steel housing, 316L hygienic*

- Housing: stainless steel AISI 316L (1.4404)
- Cover: stainless steel AISI 316L (1.4404)
- Cover seal materials: EPDM
- Cover seal materials: HNBR
- Nameplate: stainless steel housing labeled directly
- TAG plate: plastic foil, stainless steel or provided by the customer
- M20 cable glands: select material (stainless steel, nickel-plated brass, polyamide)

---

### Surface roughness

The surface roughness of the surface in contact with the process is  $R_a \leq 3.2 \mu\text{m}$  (126  $\mu\text{in}$ ).

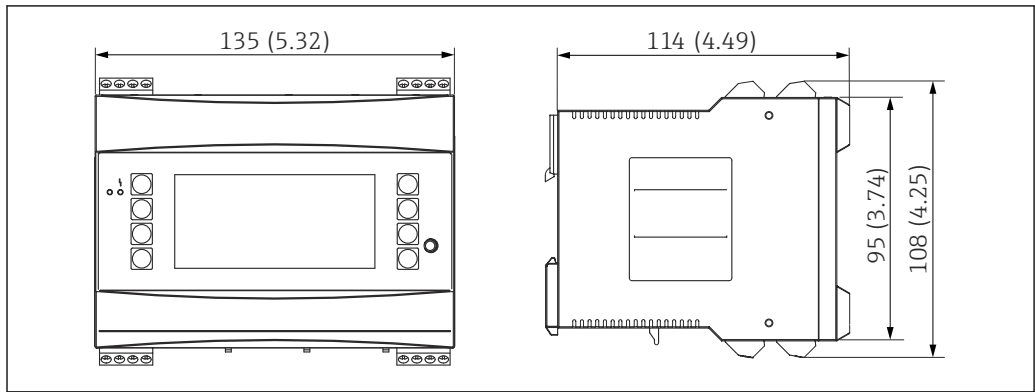
## Mechanical construction of Density Computer FML621

---

### Terminal

Pluggable screw terminals - power supply terminal is coded. The terminal range -  $1.5 \text{ mm}^2$  (16 AWG) solid,  $1 \text{ mm}^2$  (18 AWG) flexible with ferrules - applies to all connections.

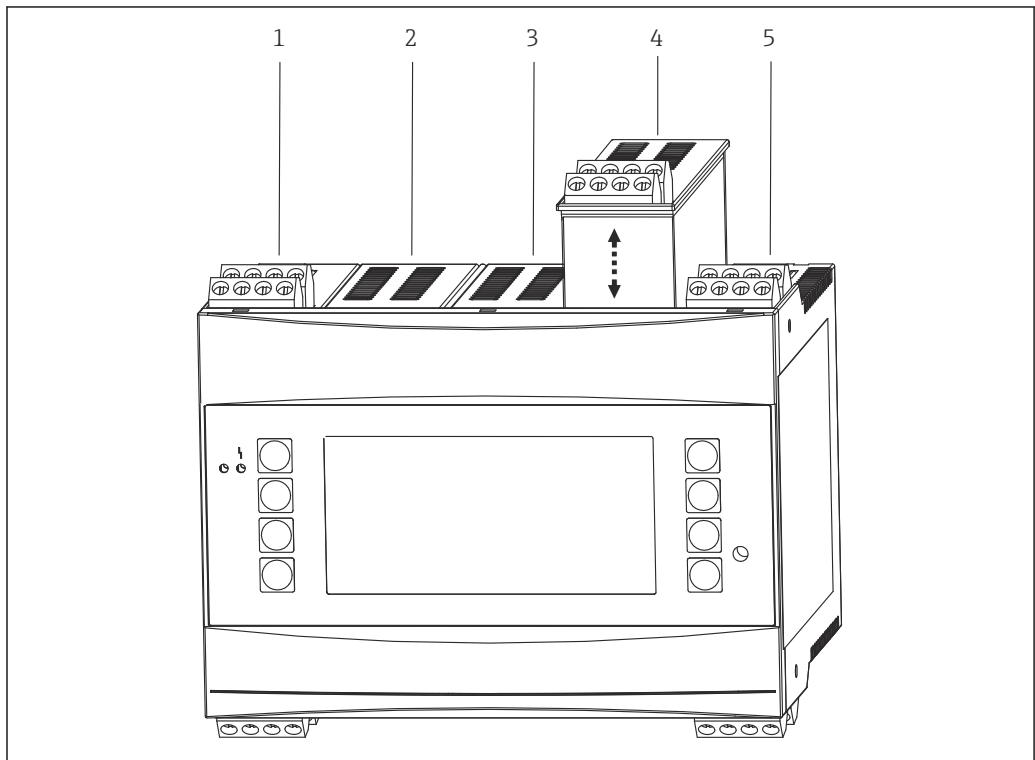
**Dimensions**



A0039709

48 Housing for DIN rail as per IEC 60715. Unit of measurement mm (in)

**Slots with extension cards**



A0039710

49 Device with additional extension cards

- 1 Slot A, extension card (already included in the basic unit)
- 2 Slot B, extension card (optional or available as an accessory)
- 3 Slot C, extension card (optional or available as an accessory)
- 4 Slot D, extension card (optional or available as an accessory)
- 5 Slot E, extension card (already included in the basic unit)

**Weight**

**Basic unit:**  
500 g (17.6 oz) Weight with all additional extension cards.

**Remote operating unit:**  
300 g (10.6 oz).

**Materials**

**Housing:**  
Polycarbonate plastic, UL 94V0

## User interface of Density Computer FML621

- i
  - An operating and display unit can also be used for commissioning the Density Computer FML621
  - The operating and display unit can also be used for multiple devices
  - An operating and display unit is absolutely essential for field adjustment

### Display elements

#### Display

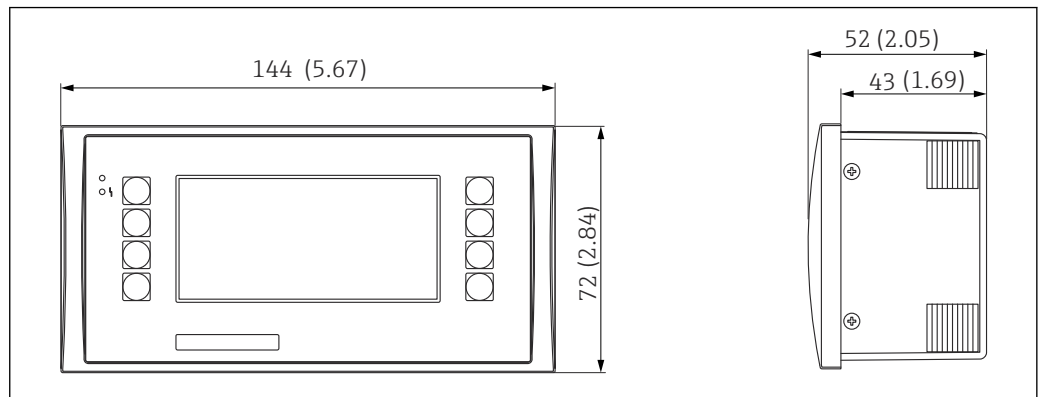
160x80 dot-matrix LCD with blue background lighting. In the event of an error, the color of the background lighting changes to red. It is possible to configure the background color.

#### LED status indicator

- Operation: 1 x green 2 mm (0.08 in)
- Fault message: 1 x red 2 mm (0.08 in)

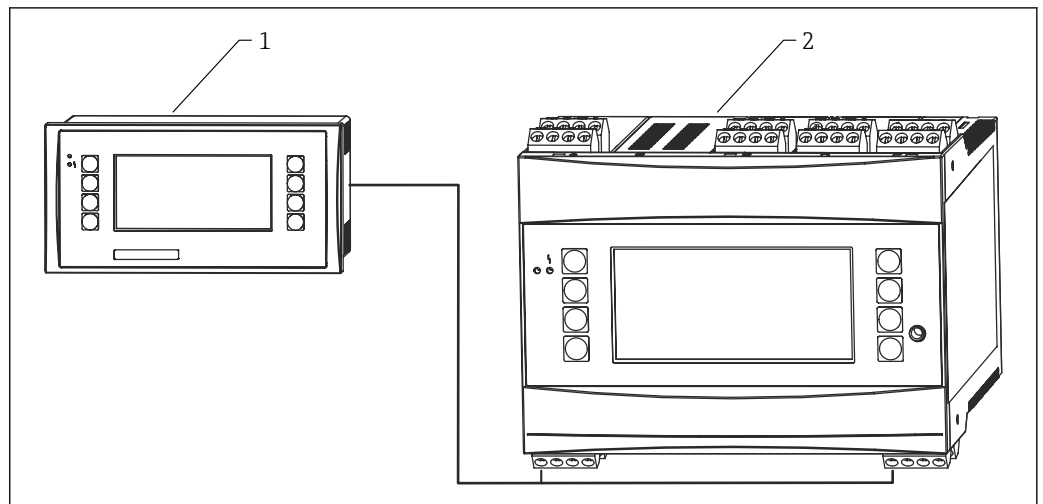
#### Operating and display unit - optional or as an accessory

- In addition, a display and operating unit with the following dimensions can be connected to the device in the panel-mounted housing:
  - W: 144 mm (5.67 in)
  - H: 72 mm (2.83 in)
  - D: 43 mm (1.69 in)
- Connection to the integrated RS484 interface is performed using the connection cable (length = 3 m (9.84 ft)), which is included in the accessory kit
- It is possible to operate the operating and display unit in parallel with a device-internal display in the FML621



A0039711

50 Operating and display unit for panel mounting. Unit of measurement mm (in)



A0039717

51 Operating and display unit in panel-mounted housing

- 1 Operating and display unit
- 2 Basic unit

<b>Operating elements</b>	Eight soft keys at the front are used to interact with the display. The functions of the keys are shown on the display.
<b>Remote operation</b>	<ul style="list-style-type: none"> <li>▪ RS232 interface via mini jack plug socket 3.5 mm (0.14 in), configuration using a PC and ReadWin® 2000 PC software</li> <li>▪ RS485 interface</li> </ul>
<b>Real-time clock</b>	<ul style="list-style-type: none"> <li>▪ Deviation: 30 min per year</li> <li>▪ Power reserve: 14 days</li> </ul>

## Certificates and approvals

<b>CE mark</b>	<p>The measuring system meets the legal requirements of the applicable EU Directives. These are listed in the corresponding EU Declaration of Conformity along with the standards applied.</p> <p>Endress+Hauser confirms that the device has been successfully tested by applying the CE mark.</p>
<b>Ex approval</b>	<p>For available Ex approvals, see Product Configurator.</p> <p>All explosion protection data are listed in a separate document, which is available on request.</p>
<b>Other standards and guidelines</b>	<p><b>IEC 60529</b> Degrees of protection provided by enclosures (IP code)</p> <p><b>IEC 61010</b> Safety requirements for electrical equipment for measurement, control and laboratory use</p> <p><b>EN 61326 series</b> EMC product family standard for electrical equipment for measurement, control and laboratory use</p> <p><b>NAMUR</b> User association of automation technology in process industries</p>

## Ordering information

Detailed ordering information is available from your nearest sales organization [www.addresses.endress.com](http://www.addresses.endress.com) or in the Product Configurator at [www.endress.com](http://www.endress.com):

1. Select the product using the filters and search field.
2. Open the product page.
3. Select **Configuration**.



### Product Configurator - the tool for individual product configuration

- Up-to-the-minute configuration data
- Depending on the device: Direct input of measuring point-specific information such as measuring range or operating language
- Automatic verification of exclusion criteria
- Automatic creation of the order code and its breakdown in PDF or Excel output format
- Ability to order directly in the Endress+Hauser Online Shop

<b>TAG</b>	<p><b>Measuring point (TAG)</b></p> <p>The device can be ordered with a tag name.</p> <p><b>Location of tag name</b> Select in the additional specification:</p> <ul style="list-style-type: none"> <li>▪ Stainless steel tag plate</li> <li>▪ Paper adhesive label</li> <li>▪ Tag provided by the customer</li> <li>▪ RFID tag</li> <li>▪ RFID tag + stainless steel tag plate</li> <li>▪ RFID tag + paper adhesive label</li> </ul>
------------	---



- RFID tag + tag provided by the customer
- IEC 61406 stainless steel tag
- IEC 61406 stainless steel tag + NFC tag
- IEC 61406 stainless steel tag, stainless steel tag
- IEC 61406 stainless steel tag + NFC, stainless steel tag
- IEC 61406 stainless steel tag, plate supplied
- IEC 61406 stainless steel tag + NFC, plate supplied

**Definition of tag name**

Specify in the additional specification:

3 lines of maximum 18 characters each

The specified tag name appears on the selected plate and/or on the RFID tag.

**Test reports, declarations and inspection certificates**

All test reports, declarations and inspection certificates are provided electronically in the *Device Viewer*:

Enter the serial number from the nameplate ([www.endress.com/deviceviewer](http://www.endress.com/deviceviewer))

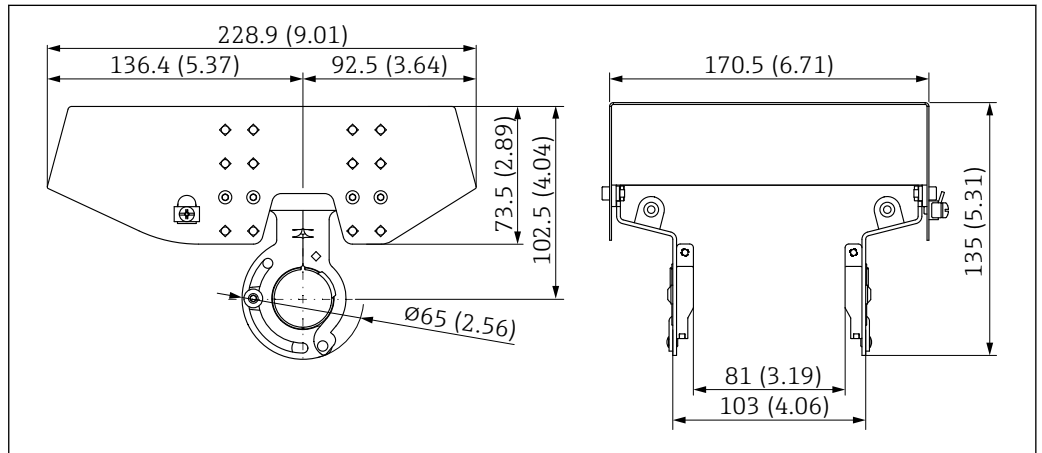
**i Product documentation on paper**

Test reports, declarations and inspection certificates in hard copy can optionally be ordered with feature 570 "Service", Version I7 "Product documentation on paper". The documents are then provided with the device upon delivery.

## Accessories for Liquiphant Density

**Protective cover for aluminum dual compartment housing**

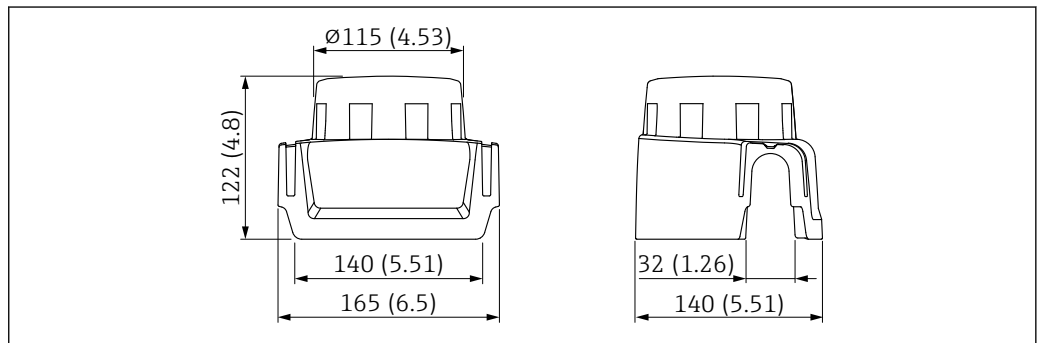
- Material: stainless steel 316L
- Order number: 71438303



52 Protective cover for aluminum dual compartment housing. Unit of measurement mm (in)

**Protective cover for single compartment housing, aluminum or 316L**

- Material: plastic
- Order number: 71438291



53 Protective cover for single compartment housing, aluminum or 316L. Unit of measurement mm (in)

**M12 socket**

**i** The M12 sockets listed are suitable for use in the temperature range  
-25 to +70 °C (-13 to +158 °F).

**M12 socket IP69**

- Terminated at one end
- Angled
- 5 m (16 ft) PVC cable (orange)
- Slotted nut 316L (1.4435)
- Body: PVC
- Order number: 52024216

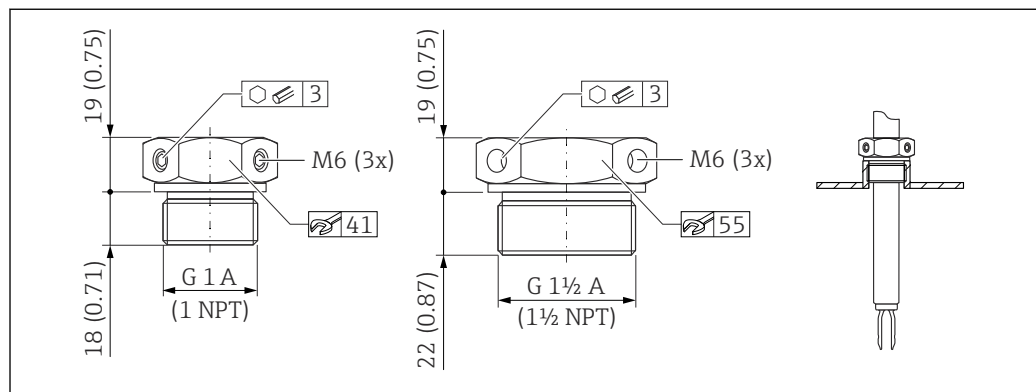
**M12 socket IP67**

- Angled
- 5 m (16 ft) PVC cable (gray)
- Slotted nut Cu Sn/Ni
- Body: PUR
- Order number: 52010285

**Sliding sleeves for unpressurized operation**

**i** Not suitable for use in explosive atmospheres.

For installation from above and immersion in the liquid for density measurement.



**54** Sliding sleeves for unpressurized operation  $p_e = 0$  bar (0 psi). Unit of measurement mm (in)

**G 1, DIN ISO 228/1**

- Material: 1.4435 (AISI 316L)
- Weight: 0.21 kg (0.46 lb)
- Order number: 52003978
- Order number: 52011888, approval: with inspection certificate EN 10204 - 3.1 material

**NPT 1, ASME B 1.20.1**

- Material: 1.4435 (AISI 316L)
- Weight: 0.21 kg (0.46 lb)
- Order number: 52003979
- Order number: 52011889, approval: with inspection certificate EN 10204 - 3.1 material

**G 1½, DIN ISO 228/1**

- Material: 1.4435 (AISI 316L)
- Weight: 0.54 kg (1.19 lb)
- Order number: 52003980
- Order number: 52011890, approval: with inspection certificate EN 10204 - 3.1 material

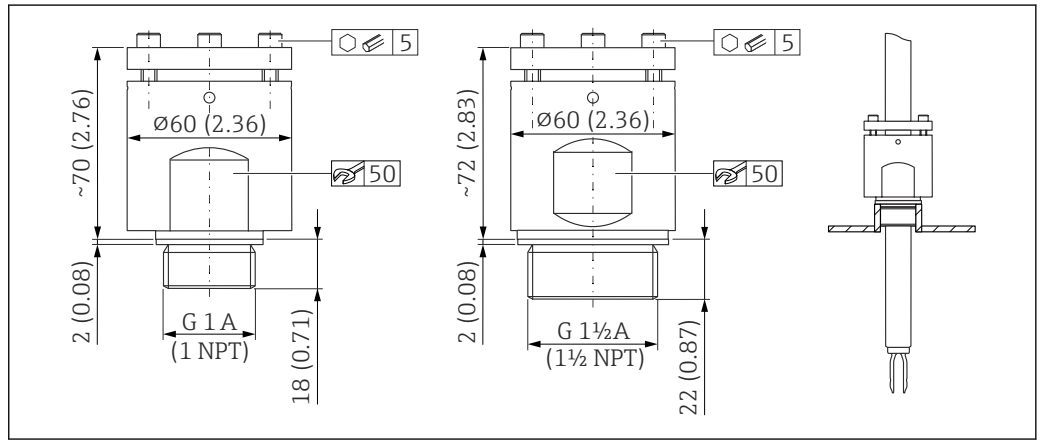
**NPT 1½, ASME B 1.20.1**

- Material: 1.4435 (AISI 316L)
- Weight: 0.54 kg (1.19 lb)
- Order number: 52003981
- Order number: 52011891, approval: with inspection certificate EN 10204 - 3.1 material

**High pressure sliding sleeves**

**i** Suitable for use in explosive atmospheres.

- For installation from above and immersion in the liquid for density measurement
- Suitable for max. process pressure 100 bar (1450 psi)
- Seal package made of graphite
- For G 1, G 1½: seal is included in the delivery



55 High pressure sliding sleeves. Unit of measurement mm (in)

G 1, DIN ISO 228/1

- Material: 1.4435 (AISI 316L)
- Weight: 1.13 kg (2.49 lb)
- Order number: 52003663
- Order number: 52011880, approval: with inspection certificate EN 10204 - 3.1 material

G 1, DIN ISO 228/1

- Material: Alloy C22
- Weight: 1.13 kg (2.49 lb)
- Approval: with inspection certificate EN 10204 - 3.1 material
- Order number: 71118691

NPT 1, ASME B 1.20.1

- Material: 1.4435 (AISI 316L)
- Weight: 1.13 kg (2.49 lb)
- Order number: 52003667
- Order number: 52011881, approval: with inspection certificate EN 10204 - 3.1 material

NPT 1, ASME B 1.20.1

- Material: Alloy C22
- Weight: 1.13 kg (2.49 lb)
- Approval: with inspection certificate EN 10204 - 3.1 material
- Order number: 71118694

G 1½, DIN ISO 228/1

- Material: 1.4435 (AISI 316L)
- Weight: 1.32 kg (2.91 lb)
- Order number: 52003665
- Order number: 52011882, approval: with inspection certificate EN 10204 - 3.1 material

G 1½, DIN ISO 228/1

- Material: Alloy C22
- Weight: 1.32 kg (2.91 lb)
- Approval: with inspection certificate EN 10204 - 3.1 material

NPT 1½, ASME B 1.20.1

- Material: 1.4435 (AISI 316L)
- Weight: 1.32 kg (2.91 lb)
- Order number: 52003669
- Order number: 52011883, approval: with inspection certificate EN 10204 - 3.1 material

NPT 1½, ASME B 1.20.1

- Material: Alloy C22
- Weight: 1.32 kg (2.91 lb)
- Approval: with inspection certificate EN 10204 - 3.1 material
- Order number: 71118695

## Accessories for Density Computer FML621

### General

#### **RXU10-A1**

Cable set for Density Computer FML621 for connecting to a PC or modem

#### **FML621A-AA**

Remote display for panel mounting:

- B: 144 mm (5.67 in)
- H: 72 mm (2.83 in)
- T: 43 mm (1.69 in)

#### **RMS621A-P1**

PROFIBUS interface

#### **51004148**

Adhesive label, printed, max. 2 x 16 characters

#### **51002393**

Metal sign for TAG number

#### **51010487**

Sign, paper, TAG 3 x 16 characters

### Extension cards

The device can be extended with a maximum of three universal or digital or current or Pt100 cards.

#### **FML621A-DA**

Digital

- 6 x digital input
- 6 x relay output
- Kit with terminals and fixing frame

#### **FML621A-DB**

Digital, ATEX-approved

- 6 x digital input
- 6 x relay output
- Kit with terminals

#### **FML621A-CA**

2x U, I, TC

- 2x 0 to 20 mA or 4 to 20 mA per pulse
- 2x digital
- 2x SPST relay

#### **FML621A-CB**

Multifunction, 2x U, I, TC ATEX

- 2x 0 to 20 mA or 4 to 20 mA per pulse
- 2x digital
- 2x SPST relay

#### **FML621A-TA**

Temperature (Pt100/Pt500/Pt1000)

Complete, including terminals and securing frame

#### **FML621A-TB**

Temperature, ATEX-approved (Pt100/PT500/PT1000)

Complete, including terminals

#### **FML621A-UA**

Universal - PFM or pulse or analog or transmitter power supply

Complete, including terminals and securing frame

#### **FML621A-UB**

Universal ATEX-approved - PFM or pulse or analog or transmitter power supply

Complete, including terminals

### PROFINET® Interface

Order code RMS621A-P2

## Documentation



For an overview of the scope of the associated Technical Documentation, refer to the following:

- *Device Viewer* ([www.endress.com/deviceviewer](http://www.endress.com/deviceviewer)): Enter the serial number from the nameplate
- *Endress+Hauser Operations app*: Enter serial number from nameplate or scan matrix code on nameplate.

---

### Standard documentation

#### **Document type: Operating Instructions (BA)**

Installation and initial commissioning – contains all the functions in the operating menu that are needed for a normal measuring task. Functions beyond this scope are not included.

#### **Document type: Brief Operating Instructions (KA)**

Quick guide to the first measured value – includes all essential information from incoming acceptance to electrical connection.

#### **Document type: Safety Instructions, certificates**

Depending on the approval, Safety Instructions are also supplied with the device, e.g. XA. This documentation is an integral part of the Operating Instructions.

The nameplate indicates the Safety Instructions (XA) that are relevant to the device.

---

### Supplementary device-dependent documentation

#### **Special Documentation**

- SD02398F: Sliding sleeve for Liquiphant (Installation Instructions)
- SDO1622P: Weld-in adapter (Installation Instructions)
- TI00426F: Adapter and flanges (overview)

---

---



[www.addresses.endress.com](http://www.addresses.endress.com)

---