

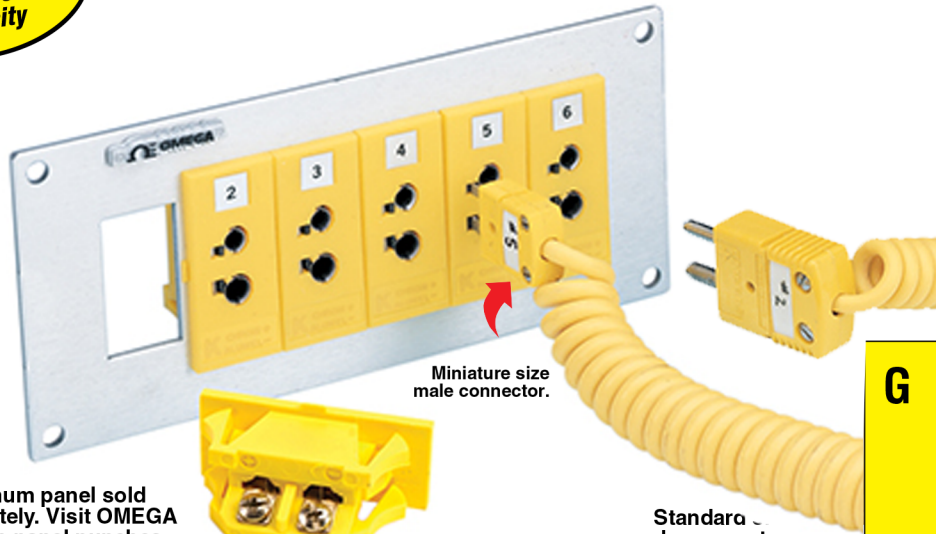
Standard Snap-In Panel Jacks Are Universal For Type SPJ

Self-Securing Design is the Ultimate in Mounting Simplicity

Fits All

SPJ Series

- ✓ No Installation Tools Needed
- ✓ Interlocking
- ✓ Color-Coded and Numbered
- ✓ Glass Filled Nylon Rated -29 to 220°C (-20 to 425°F)
- ✓ Accepts All Standard Size and Miniature Male Connectors
- ✓ Combination Phillips/Slot Screws
- ✓ Wire Divider



Miniature size male connector.

Standard male connector.

Aluminum panel sold separately. Visit OMEGA to shop panel punches.

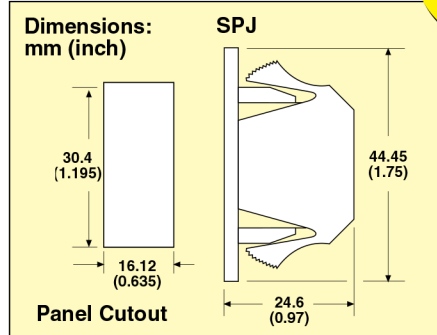
Accepts solid or stranded wire up to size 14 AWG.

Custom marking available. Consult Sales Department for pricing and quantities.

Mounting hardware has been eliminated in the SPJ-style panel jacks by including retaining spring clips as part of the body design. A small tab and notch are provided to maintain straight, even rows without the need for precision matching. SPJ color-coded nylon connectors accept any standard and miniature size male thermocouple connector and are available in popular thermocouple calibrations. The tungsten alloys C, D, and G are only available in the old style, non-universal SPJ jack panel connectors, please consult sales.

Optional ID Number Labels and Dust Caps Available

| Extra ID Number Labels: | |
|-------------------------|------------|
| Model 1-6L, | 1 thru 6 |
| Model 1-12L, | 1 thru 12 |
| Model 1-18L, | 1 thru 18 |
| Model 1-24L, | 1 thru 24 |
| Model 1-50L, | 1 thru 50 |
| Model 1-100L, | 1 thru 100 |



Removal Tool SIRT-1

For the large volume user who requires the ability to quickly remove installed connectors, the SIRT-1 removal tool is invaluable. Operating easily even in densely packed panels, the tool compresses all spring clips together, allowing the SPJ to be pushed out of the panel from the rear.



| Discount Schedule | |
|--------------------|-----|
| 1-10 | Net |
| 11-49 | 5% |
| 50-99 | 10% |
| 100-999 | 15% |
| 1000-4999 | 20% |
| 5000 and over..... | 25% |

To Order

| Alloy Code† | Type of Thermocouple Used With Connector | Compensating Alloy Used in Connector | | Shell Color | Model Number (Female)* |
|-------------|--|--------------------------------------|------------|-------------|------------------------|
| | | + | - | | |
| K | CHROMEGA®-ALOMEGA® | CHROMEGA® | ALOMEGA® | Yellow | SPJ-K-F |
| T | Copper-Constantan | Copper | Constantan | Blue | SPJ-T-F |
| J | Iron-Constantan | Iron | Constantan | Black | SPJ-J-F |
| E | CHROMEGA®-Constantan | CHROMEGA® | Constantan | Purple | SPJ-E-F |
| R/S | Pt-Pt/13%Rh | Copper | RNX/SNX | Green | SPJ-R/S-F |
| U | Uncompensated | Copper | Copper | White | SPJ-U-F |
| N | OMEGALLOY® | OMEGA-P® | OMEGA-N® | Orange | SPJ-N-F |

†K, T, J, E, R, S, B and N calibration are ANSI designations. Also available with male pins. Change "F" in model number to "M". Example: **SPJ-K-M** (same price).

Note: Type U (uncompensated) are used with Type B thermocouples, 2 wire RTDs or thermistors.

* If you previously ordered the UPJ, simply replace the "S" with a "U" at the start of the model number.

Ordering Example: **SPJ-K-F**, snap-in panel jack, Type K calibration to accept standard or miniature male connectors.



Optional supply of dust caps, SPJ-CAP, pkg of 12