


MENNEKES  
 Electrical Products  
 277 Fairfield Road  
 Fairfield, NJ 07004  
 800-882-7584  
 www.MENNEKES.com

### HDI DISCONNECT SWITCH

**Part No.** ME 100MS2A-M2

**Description:** 100 Amp 3Ø 600Vac Motor Disconnect with Early Break Aux Contacts - 1 N/O; 1 N/C

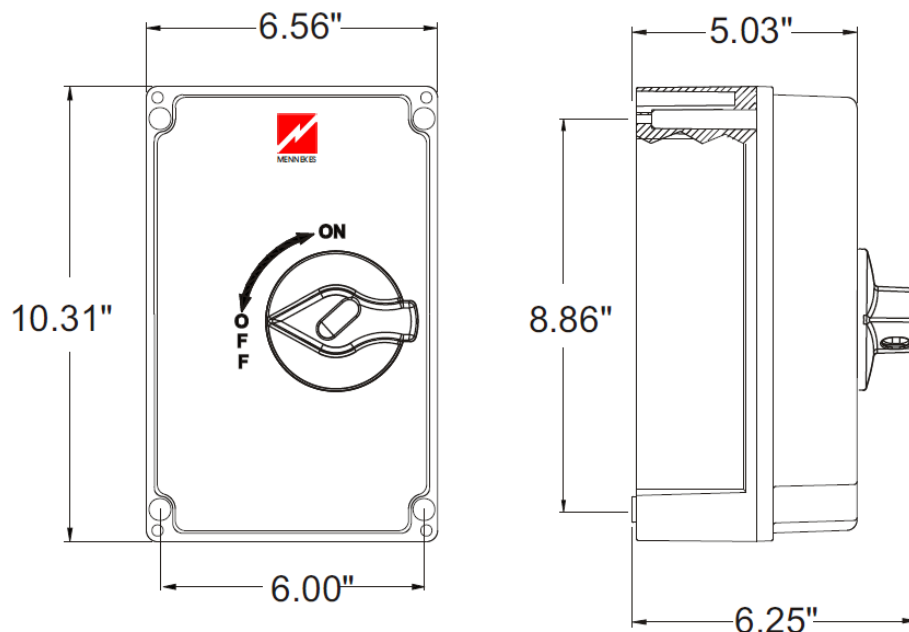
**Construction:** NEMA 4X; 12

**Approvals:**  to UL Standard 508 and CSA C22.2 No.14-10

**Performance:** Lock Rotor Tested  
 10kAIC with 250A RK1 Fuse  
 Suitable as Motor Disconnect Per NEC 430-109(a)(6)

**HP RATINGS:**

3 Ø		
240V	480V	600V
25	50	50



Drawing Not to Scale