

EdgeReady™ Micro Data Center



Quiet Floor-Standing, 21U Usable, 3 kVA, 120V

Benefits

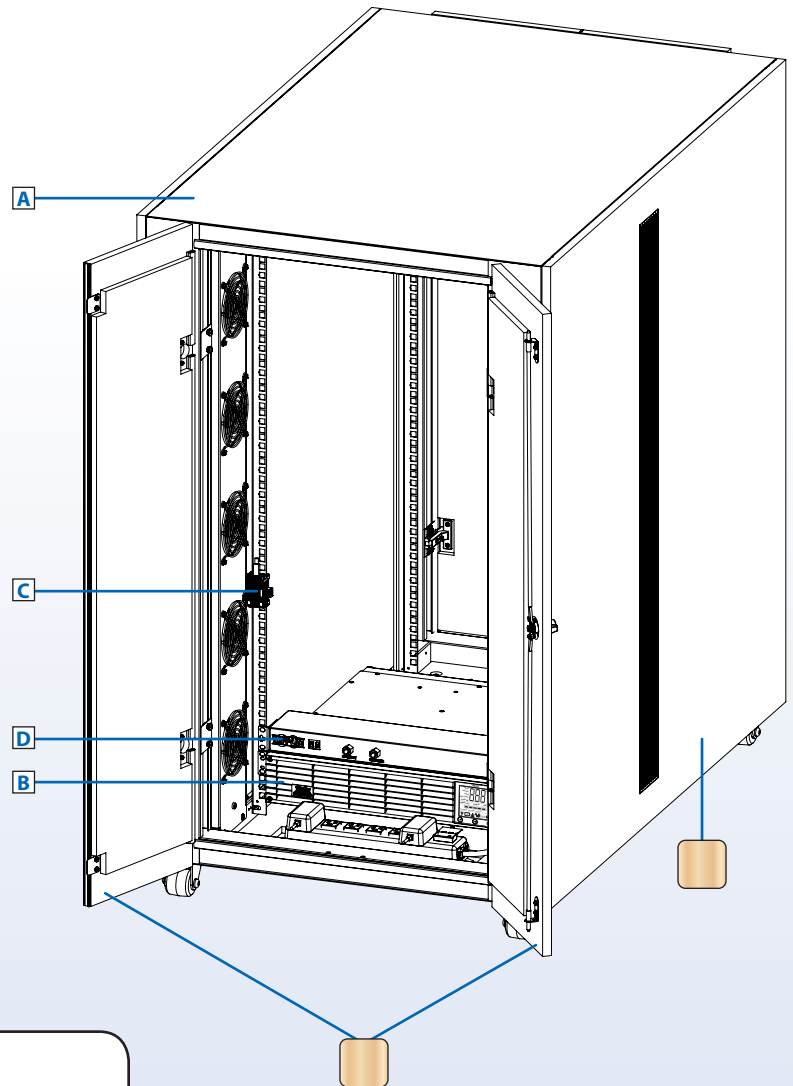
- Provides preconfigured IT infrastructure for edge computing servers, storage and network hardware in noise-sensitive, space-limited locations
- Integrates secure rack space, reliable power distribution, expandable battery backup, remote management and passive cooling
- Prevents configuration errors, reduces installation time, decreases field costs and standardizes edge computing infrastructure
- Ships three business days from receipt of order, after design, assembly and testing by experts in a controlled environment

Included Hardware

- A** **SRQ24U** Quiet Rack Enclosure (Standard Width; Ventilation Fans; Sound Suppression; Furniture-Grade Exterior)
- B** **SMART3000RMLN** SmartPro® UPS System with Pre-Installed **WEBCARDLX** Network Management Card
- C** **E2MTHDI** Environmental Sensor (Temperature/Humidity/Digital Inputs)
- D** **PDUMH30** Metered PDU

Assembled/tested unit also includes reinforced shock pallet and loading ramps for stable shipment and reshipment with installed IT equipment. Kit version includes major components ready for final assembly on-site.

See Next Page for Customization Options



Specifications

Model (Kit)	MDK1F21UPX00001
Model (Assembled/Tested)	MDA1F21UPX00001
Output Power Capacity	3 kVA/2.88 kW/24A Max
Rack Space	24U Total; 21U Usable
Weight Capacity	1000 lb. (453 kg) Total; 617 lb. (280 kg) Usable
Maximum Device Depth	37 in. (940 mm)
Site Power Requirements	120V, 30A, 60 Hz
Site Outlet Required	NEMA L5-30R
UPS Type	Line-Interactive with Sine Wave Output
Runtime (50%/100% Load)	10/3 min. (Expandable)
High-Availability Features	Automatic Voltage Regulation (AVR); Battery Backup; Hot-Swappable Batteries
Usable Outlets (UPS + PDU)	(20) NEMA 5-15/20R
Dimensions (Assembled)	49.1 x 30 x 46.7 in. (1247 x 762 x 1186 mm)
Weight (Assembled)	383 lb. (174 kg)
Warranty*	2-Year Limited Warranty (Extendable)

* Any component with a warranty longer than 2 years will be covered by the longer warranty.

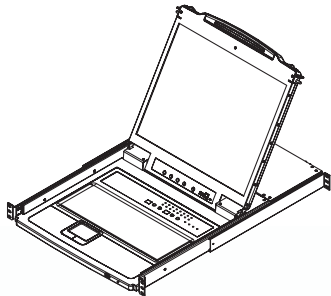


Powering and Connecting Your World

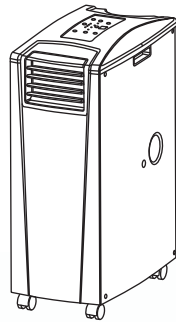
Unlimited Micro Data Center Customization

Tripp Lite's solutions team is standing by to help you tailor your EdgeReady micro data center to match the business and technology requirements of your edge deployment strategy. We ship custom solutions in as little as five business days, assembled and tested. We can help you customize your EdgeReady micro data center in several ways:

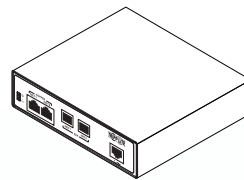
- Quick and easy customization via add-on accessories for the stock configurations
- Upgrades to included components of stock configurations with ready-to-ship alternatives
- Customization of individual components like racks, PDUs and cables (increases lead time)



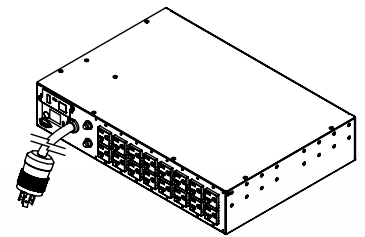
B020-U16-19-IP
1U Rack Console
with 16-Port KVM Switch
and Remote Access



SRCOOL12K
Portable Air Conditioning
Unit (3.5 kW)



B093-008-2E4U-M
8-Port Console Server
with Built-in Modem for
Fail-Safe Access



PDUMH30NET
2U Switched PDU
with Remote Current
Monitoring, Alerts and
Outlet Control

Optional Accessories, Sold Separately (Visit tripplite.com to see the full selection.)

Switched PDU	PDUMH30NET with (16) NEMA 5-15/20R; 2U (Replaces standard PDU.)
Battery Packs for Extended Runtime (50%/100% Load)	30/11 min. with BP48V24-2U (Limit 1); 43/16 min. with BP48V27-2US ; 67/26 min. with BP48V60RT-3U
Cooling	SRCOOL12K (3.5 kW; Portable; NEMA 5-15P)
KVM Switch	B022-U16-IP ; B020-U16-19-IP (With LCD Console)
Console Server	B093-008-2E4U-M
Door Monitoring Kit	SRSWITCH (Monitors front/rear doors.)
Airflow Management	SR1UPANEL10 and/or SR1UBRUSH
Cable Managers	40+ Horizontal, Vertical and External Cable Management Options at tripplite.com
Power Cords	Match to IT Equipment; 250+ Power Cord Options at tripplite.com
Network Cables	Match to IT Equipment; 1000+ Copper and Fiber Network Cable Options at tripplite.com
Patch Panels	60+ Copper and Fiber Patch Panel Options at tripplite.com
Additional Sensors	E2MT (Connect up to 3 sensors total per WEBCARDLX to monitor top/middle/bottom temperature.)

1111 W. 35th Street, Chicago, IL 60609 USA | 773.869.1236 | tripplite.com



Powering and Connecting Your World