
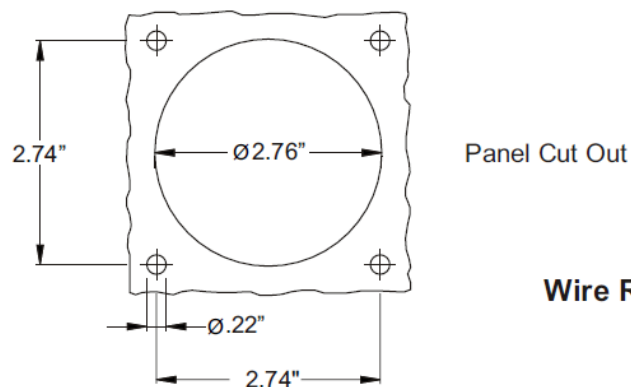
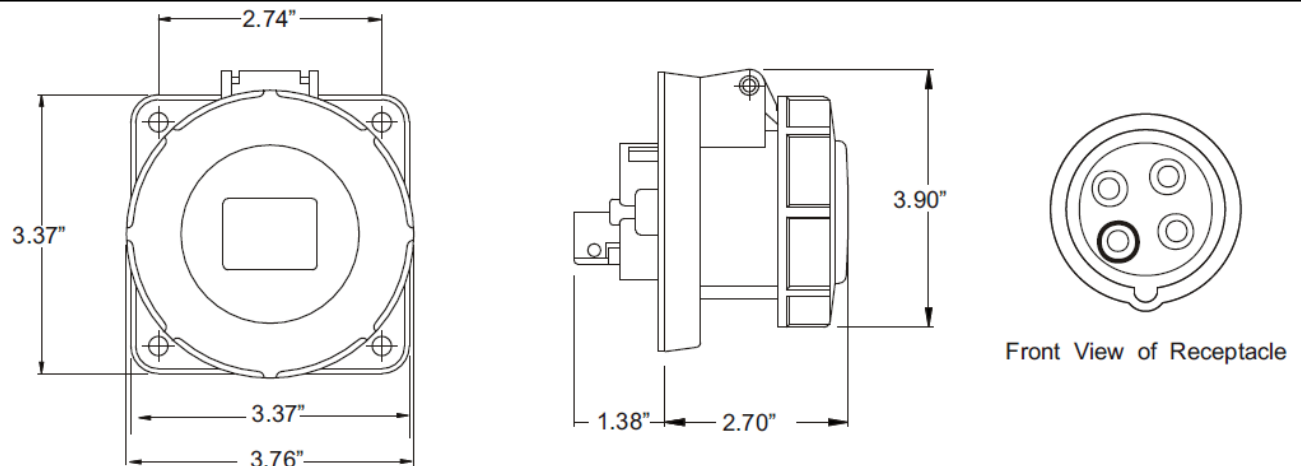


MENNEKES
Electrical Products
277 Fairfield Road
Fairfield, NJ 07004
800-882-7584
www.MENNEKES.com

RECEPTACLE, PANEL MOUNTED

Part No.	ME 430R7W
Description:	30 Amp 3Ø 480Vac 3 Pole, 4 Wire Receptacle
Construction:	UL Type 4X; IEC IP 67 Watertight
Approvals:	 to UL Standards 1682; 1686 and CSA C22.2 No. 182.1 UL Locked Rotor HP Rating – 7.5 HP IEC 60309-1; IEC 60309-2

IEC COLOR CODE: Red

GROUND SOCKET: 7 Hour Position Mates with Male in 5 Hour Position.**Wire Range: #8-#12 AWG**

Drawing Not to Scale