


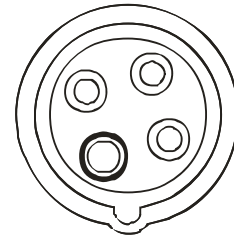
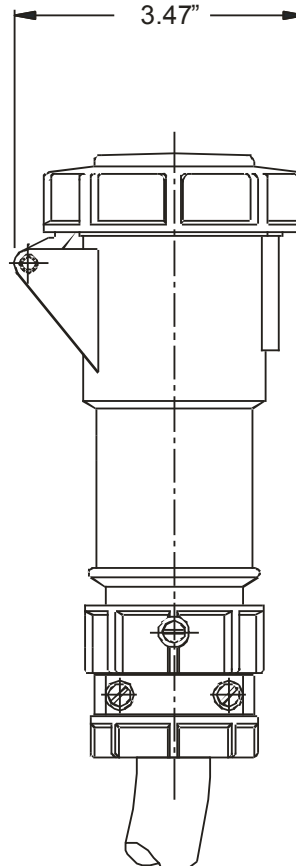
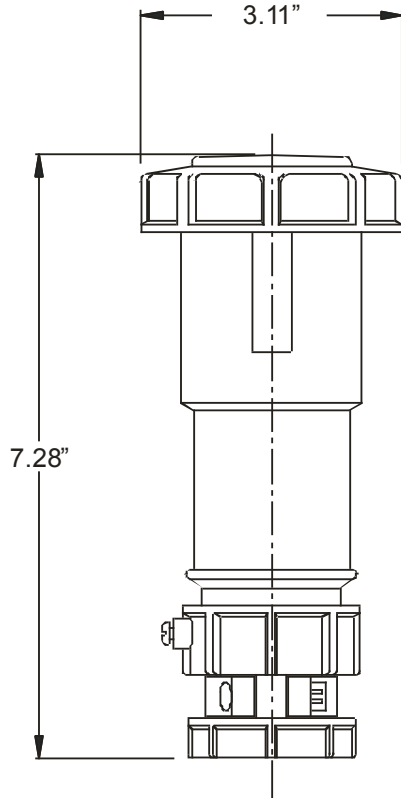
MENNEKES
Electrical Products
277 Fairfield Road
Fairfield, NJ 07004
800-882-7584
www.MENNEKES.com

CONNECTOR, IN-LINE

Part No.	ME 420C7W
Description:	20 Amp 3Ø 480Vac 3 Pole, 4 Wire Connector
Construction:	UL Type 4X; IEC IP 67 Watertight
Approvals:	 to UL Standards 1682; 1686 and CSA C22.2 No. 182.1 UL Locked Rotor HP Rating – 5 HP IEC 60309-1; IEC 60309-2

IEC COLOR CODE: Red

GROUND SOCKET: 7 Hour Position Mates with Male in 5 Hour Position.



Front View of Connector

Wire Range: #10 - #14 AWG
Cord Range: .36" - .76"
Threaded Cable Entry: 3/4" NPT

Drawing Not to Scale