


MENNEKES
 Electrical Products
 277 Fairfield Road
 Fairfield, NJ 07004
 800-882-7584
 www.MENNEKES.com

FUSED HDI DISCONNECT SWITCH

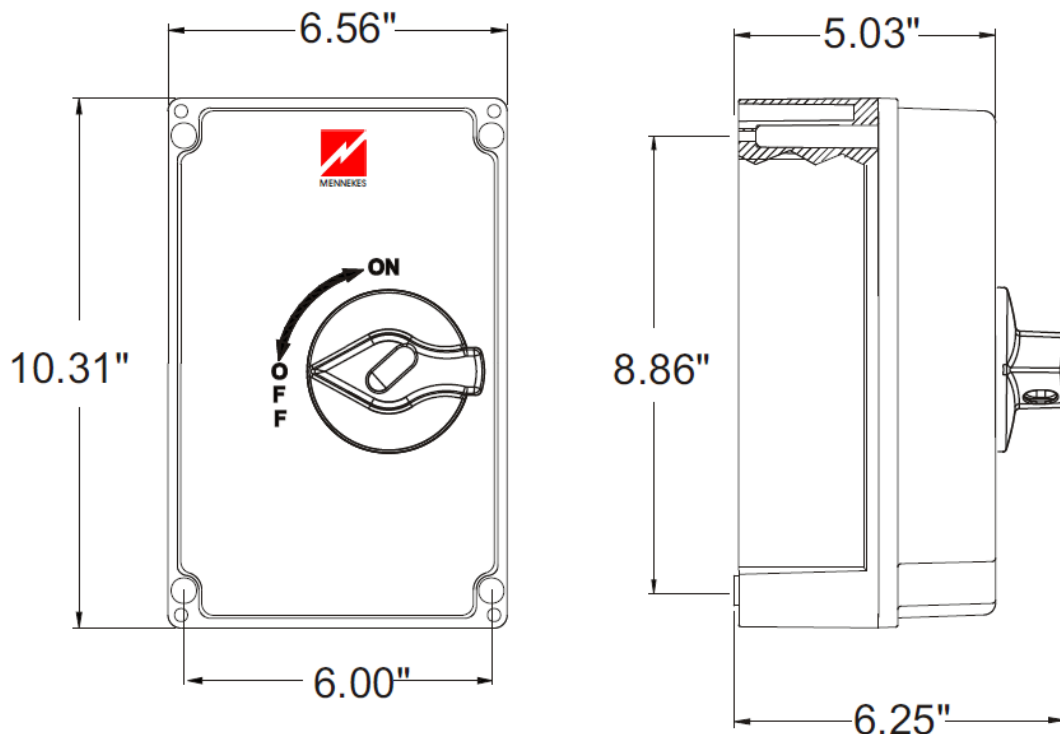
Part No. ME 30FDS2A
Description: 30 Amp 3Ø 600Vac Fused Disconnect Switch
Construction: UL Type 4X; 12
Approvals:  to UL Standard 98 and CSA C22.2 No.4-M89
 Branch Circuit Protective Device
 100kAIC Short Circuit Wiring

HP RATINGS:

3 Ø Standard		
240V	480V	600V
3	5	7.5

3 Ø Max*		
240V	480V	600V
7.5	15	20

*Requires Time Delay Fuses



Drawing Not to Scale