


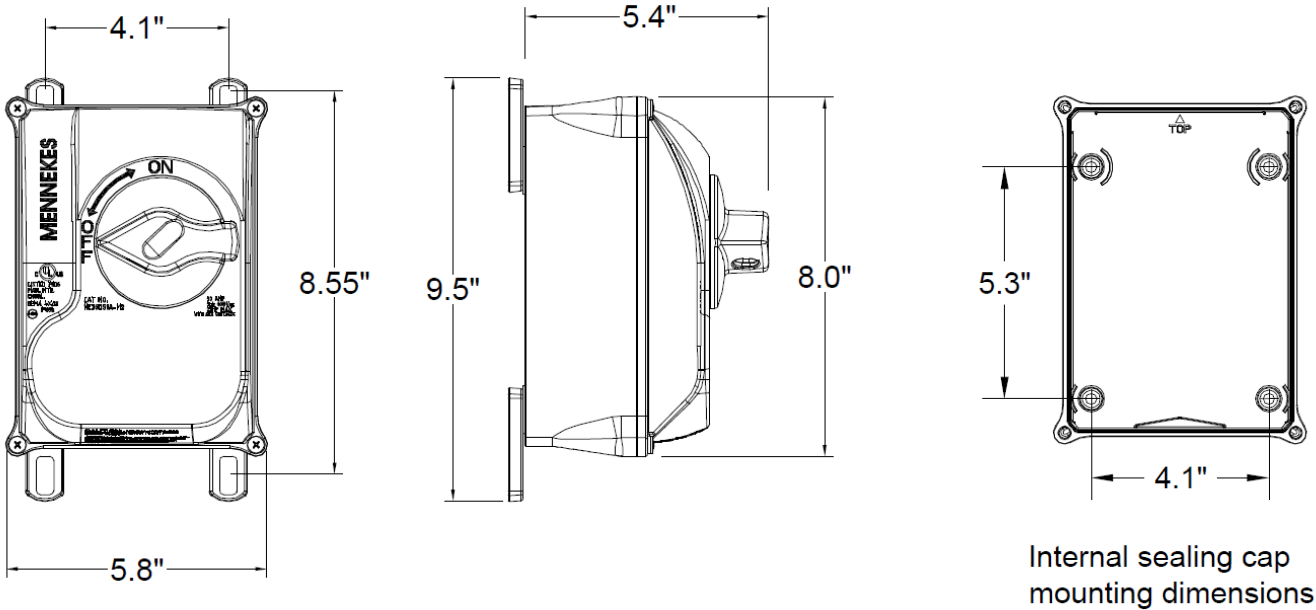
MENNEKES
 Electrical Products
 277 Fairfield Road
 Fairfield, NJ 07004
 800-882-7584
 www.MENNEKES.com

DS SERIES NON-METALLIC DISCONNECT SWITCH

Part No.	ME 20DS1A-M2
Description:	25 Amp 3Ø 600Vac Motor Disconnect with Early Break Aux Contacts - 1 N/O; 1 N/C
Construction:	NEMA Type 4X; 12, IP69K, NSF Certified
Compliance:	 Standard 508 and CSA C22.2 No.14-M95
Short Circuit Current Rating:	Suitable for use as a Motor Disconnect per NEC 430-109 (a)(6) @65,000 RMS Symmetrical Amps up to 600 VAC Max when protected with 40A Class J Fuses, permitting usage at full amperage rating of the switch

HP RATINGS:

1 Ø	3 Ø		
	240V	480V	600V
	3	15	20



Drawing Not to Scale