

NHD-PCB0216CZ

Newhaven Display International, Inc.

2511 Technology Drive, Suite 101

Elgin IL, 60124

Ph: 847-844-8795

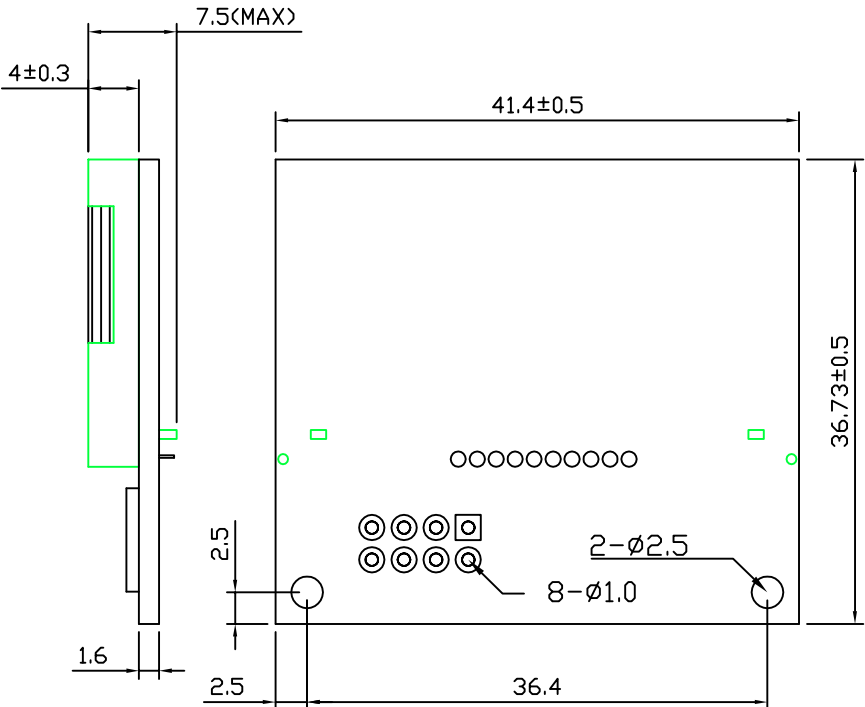
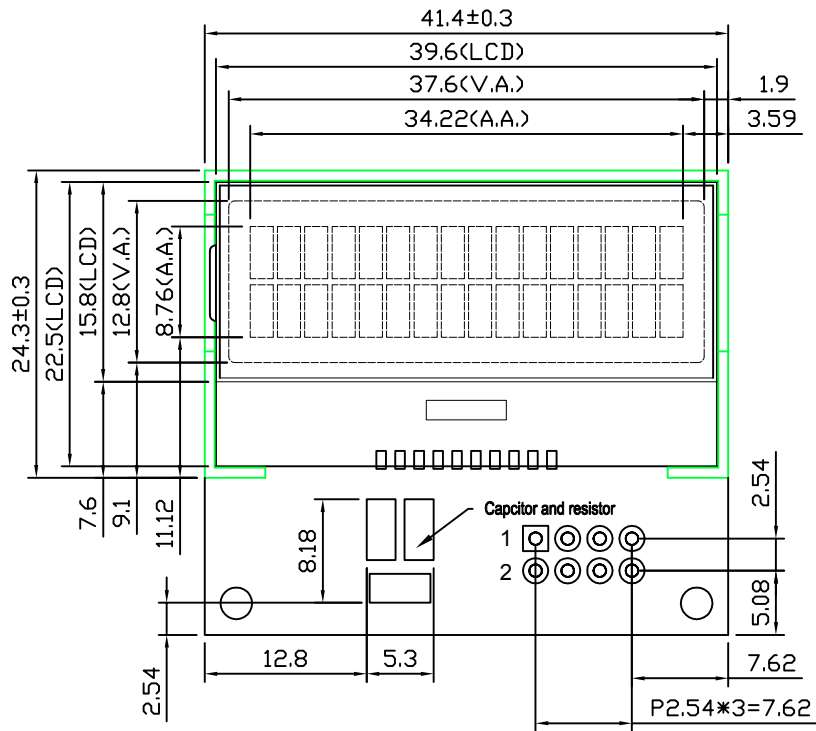
Fax: 847-844-8796

www.newhavendisplay.com

nhtech@newhavendisplay.com

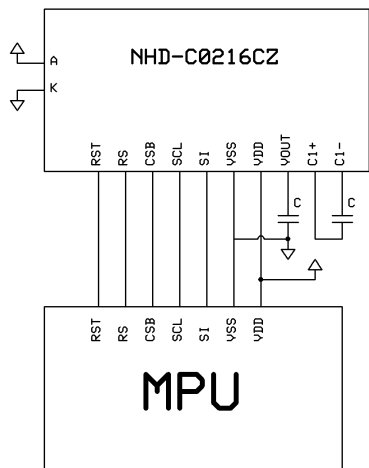
nhsales@newhavendisplay.com

| | | |
|-----|--------------|------------|
| REV | DESCRIPTION: | DATE |
| 1.0 | First | 2011-12-13 |

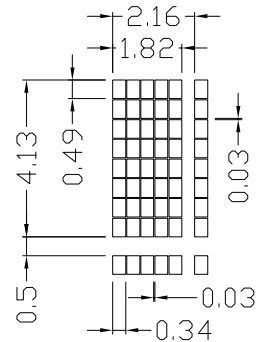
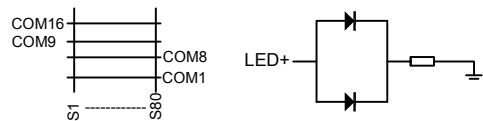


PIN CONNECTION

| NO | SYMBOL |
|----|--------|
| 1 | VSS |
| 2 | VDD |
| 3 | SI |
| 4 | SCL |
| 5 | CSB |
| 6 | RS |
| 7 | RST |
| 8 | LED+ |



****Notes: Display sold separately**



| | | | |
|------------------------------|------|-------------|-------------|
| Model Name: NHD-PCB0216CZ | | | |
| GENERAL TOL: ± 0.3 | | | |
| APPROVALS | DATE | DRAWN NO. | SCALE: |
| DWN: | | | |
| CHK: | | SIZE: A4 | UNIT: mm |
| APP: | | | Page: |