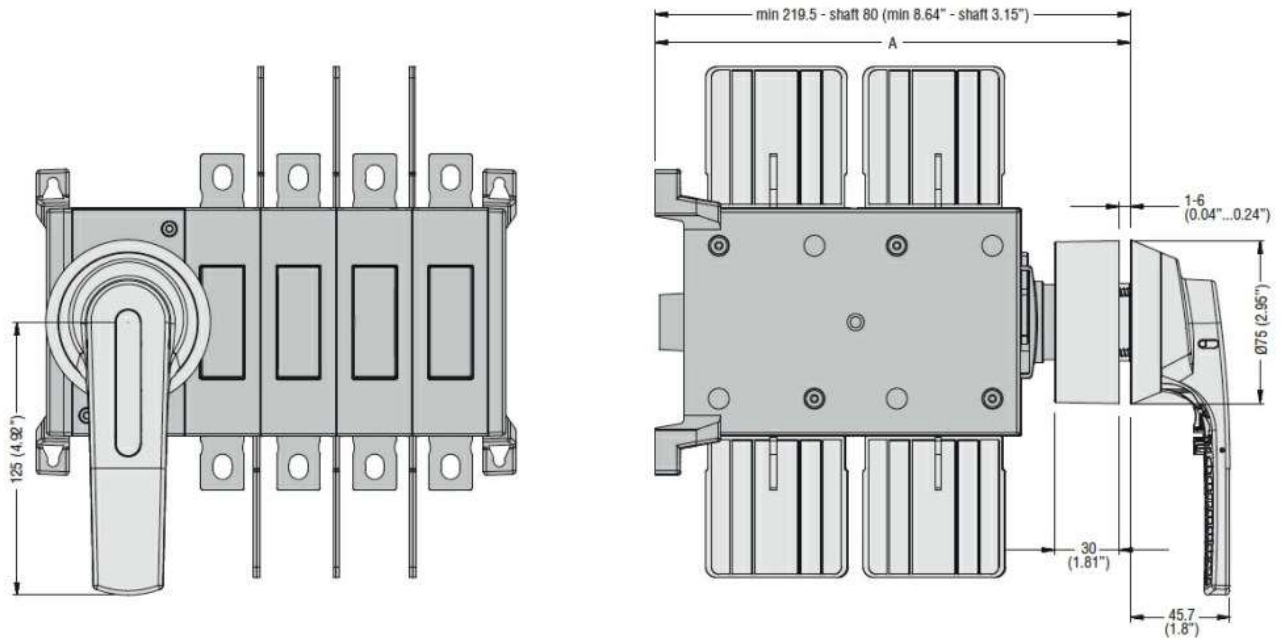




Dimensions



Certifications and compliance

Compliance

IEC/EN 60947-1

IEC/EN 60947-3

Certifications

cULus

ETIM classification

ETIM 8.0

EC002498 -
 Accessories/spare
 parts for low-
 voltage switch
 technology