



APPLICATIONS

- General industrial
- Pulp & paper
- Water & wastewater
- Power generation
- Food & beverage

PTI30 SERIES

- Adjustable pressure ranges vacuum to 1,450 psig
- All ranges are user adjustable from vacuum to full scale with standard on board display
- 4 mA to 20 mA HART® optional pressure transmitter
- Accuracy $\pm 0.1\%$ of adjusted span
- 10:1 turn down
- All Stainless Steel construction with 316 Stainless Steel wetted parts
- CE compliant to suppress RFI, EMI and ESD

SPECIFICATIONS

Output signals	4 mA to 20 mA 2-wire, 4 mA to 20 mA 2-wire with HART®
Adjustable pressure ranges	5 psig to 1,450 psig (All ranges are user adjustable from vacuum to full scale)
Accuracy	$\pm 0.1\%$ of adjusted span (Turn down 10:1)
Stability	<0.1%/year
Adjustment	By 3 push buttons on display or optional HART® protocol
Response time	<250 ms
Service life	>10 years
Temperature ranges	Media -4 °F to 176 °F (-20 °C to 80 °C) Ambient -4 °F to 158 °F (-20 °C to 70 °C) Flange -4 °F to 212 °F (-20 °C to 100 °C)
Power requirement*	12 Vdc to 36 Vdc
Measuring element	316 Stainless Steel (Hastelloy C, Tantalum or Goldplated optional)
Connection	316 Stainless Steel
Housing material	304 Stainless Steel (316 Stainless Steel optional)
Environmental rating	IP66 (IP68 optional)
Electromagnetic rating	CE compliant to EMC-Directive 2014/30/EU RFI, EMI and ESD protection
Weight	Approximately 3.3 lb. (Depending on process connection)

* Unregulated



WARNING: This product can expose you to chemicals including Nickel, which is known to the State of California to cause cancer and birth defects or other reproductive harm. For more information go to www.P65Warnings.ca.gov

ORDERING INFORMATION			
SERIES	PTI30		
ADJUSTABLE PRESSURE RANGES	5psig Min. span 1.45 psi, max. span 5.8 psi (lowest vacuum pressure -5.8 psig) 17psig Min. span 4 psi, max. span 17.4 psi (lowest vacuum pressure -15 psig) 145psig Min. span 14.5 psi, max. span 145 psi (lowest vacuum pressure -15 psig)	435psig Min. span 72.5 psi, max. span 435 psi (lowest vacuum pressure -15 psig) 1450psig Min. span 290 psi, max. span 1,450 psi (lowest vacuum pressure -15 psig)	
ACCURACY	1 ±0.1% of adjusted span (10:1 turn down) <small>psig = gauge pressure All ranges can be user scaled in vacuum or compound</small>		
OUTPUT SIGNALS	1 4 mA to 20 mA, 2-wire	43 4 mA to 20 mA, 2-wire with HART®	
PROCESS CONNECTIONS	8 1/2" NPT male 69 1/2" NPT female 73 1" NPT male flush 74 1-1/2" NPT male flush	75 Threaded flush diaphragm for flange (flange not included) 76 1-1/2" ANSI 150# Flange 77 2" ANSI 150# Flange 78 3" ANSI 150# Flange	79 1" PMC connection 80 1-1/2" PMC connection
ELECTRICAL CONNECTIONS	25 M12 x 1 (4-pin)	28 1/2" NPT female	71 PG9 Cable Gland
OPTIONS	CC Certified Calibration	RMT-10 Remote Mount Head with 10 ft cable *	TC Transparent Cover (for display)

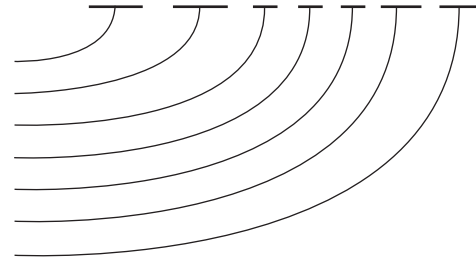
Please consult your local NOSHOK Distributor or NOSHOK, Inc. for availability and delivery information.

*Custom lengths available, consult factory. Includes mounting bracket.

EXAMPLE

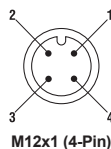
Series PTI30 Series
Adjustable pressure range Min. span 1.45 psi, max. span 5.8 psi
Accuracy ±0.2% of adjusted span
Output signal 4 mA to 20 mA, 2-wire
Process connection 1/2" NPT male
Electrical connection 1/2" NPT female
Option Transparent Cover

PTI30 - 5psig - 1 - 1 - 8 - 28 - TC



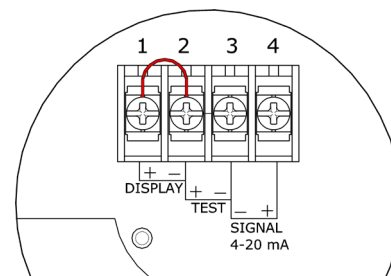
UNINSTALLED OPTIONS & ACCESSORIES			
PTI-FLANGE-15-150LB	1-1/2" ANSI 150# Flange only	PTI-15-PMC-WA	1-1/2" PMC Weld Adapter
PTI-FLANGE-20-150LB	2" ANSI 150# Flange only	PTI-PMC-GASKET-15	PTFE Gasket for 1-1/2" PMC
PTI-FLANGE-30-150LB	3" ANSI 150# Flange only	PTI-PMC-ORING-1	FKM O-Rings for 1" PMC
PTI-10-PMC-WA	1" PMC Weld Adapter	PTI-FLANGE-GASKET	PTFE Gasket for Flush diaphragm to Flange

Consult factory for availability.



M12 x 1 (4-PIN) WIRING

1	V+
2	Not used
3	V-
4	Not used

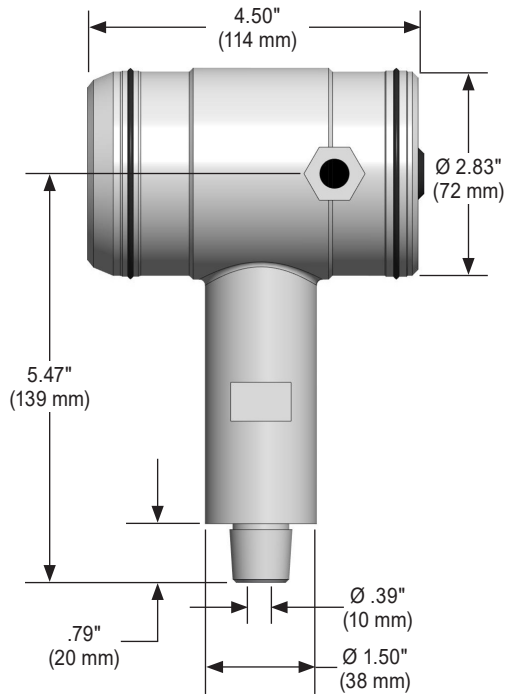


TERMINAL CONNECTION

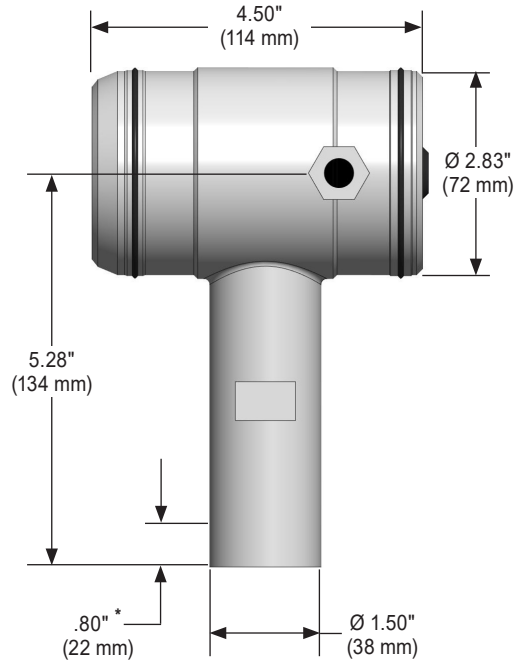
3	V-
4	V+

Dimensions

PTI30-8 (1/2" NPT Male)

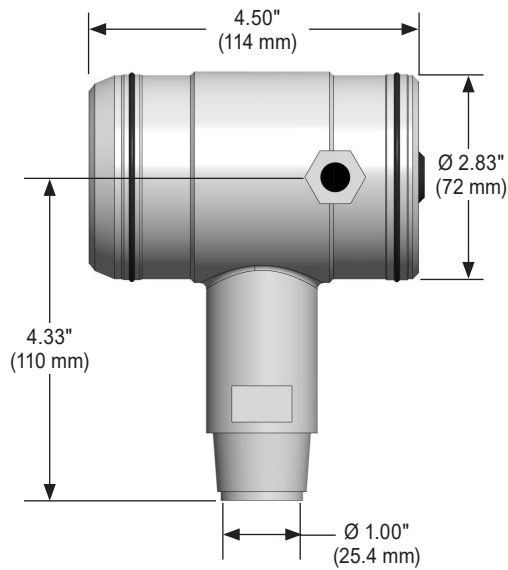


PTI30-69 (1/2" NPT Female)

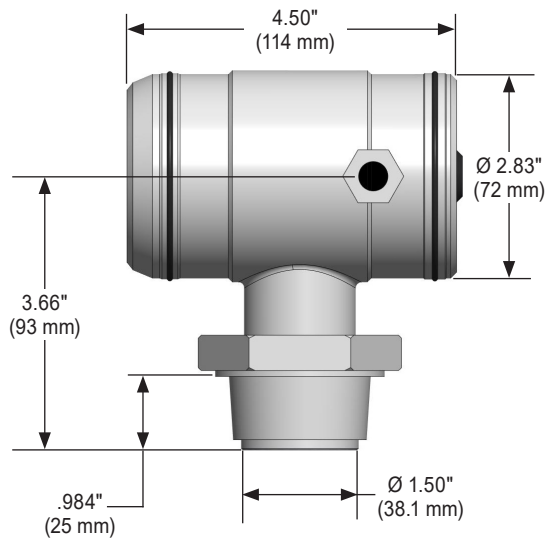


* Dimension of the female thread depth

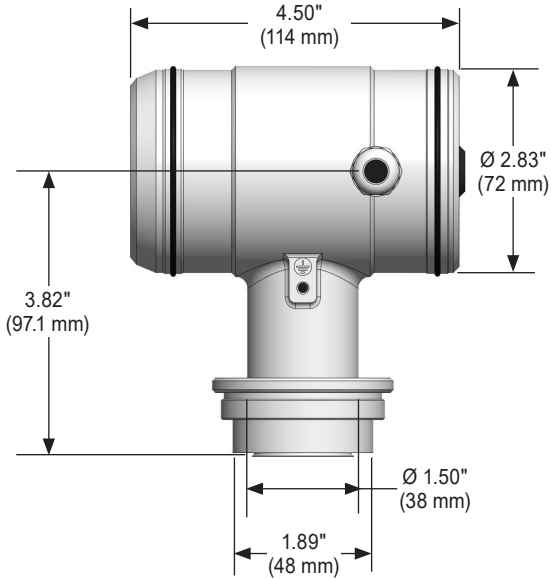
PTI30-73 (1" NPT Male)



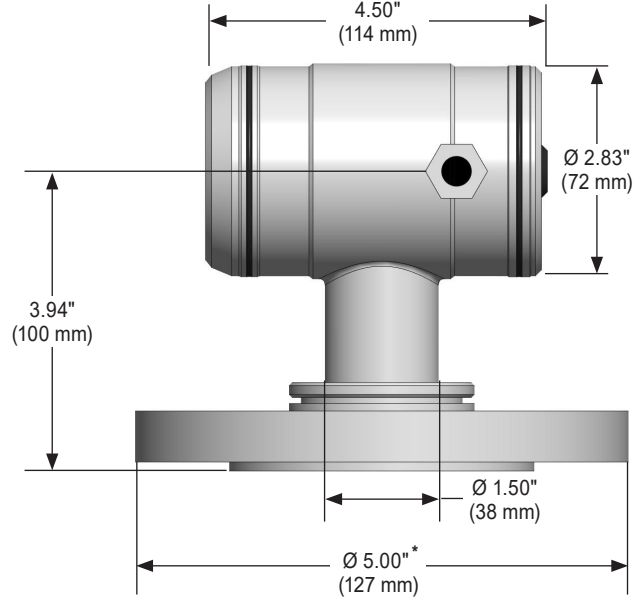
PTI30-74 (1-1/2" NPT Male)



PTI30-75 (Threaded Flush Diaphragm For Flange)



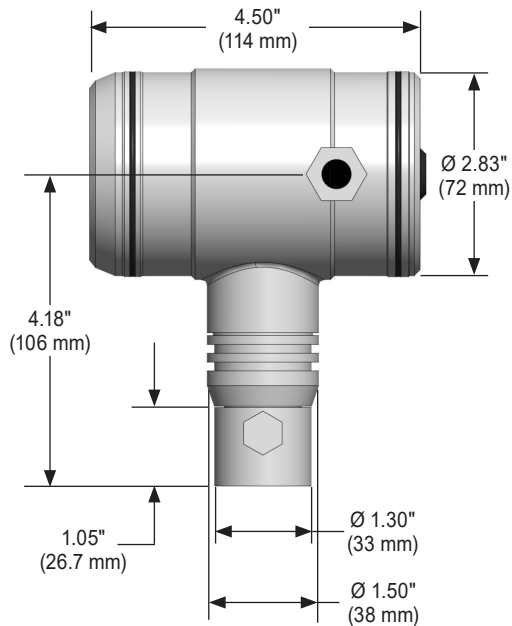
PTI30-76 (Flange)*



* Dimensions for PTI30-77 (Flange) Ø 6.00" (152 mm)

* Dimensions for PTI30-78 (Flange) Ø 7.50" (190 mm)

PTI30-79 (1" PMC)



PTI30-80 (1-1/2" PMC)

