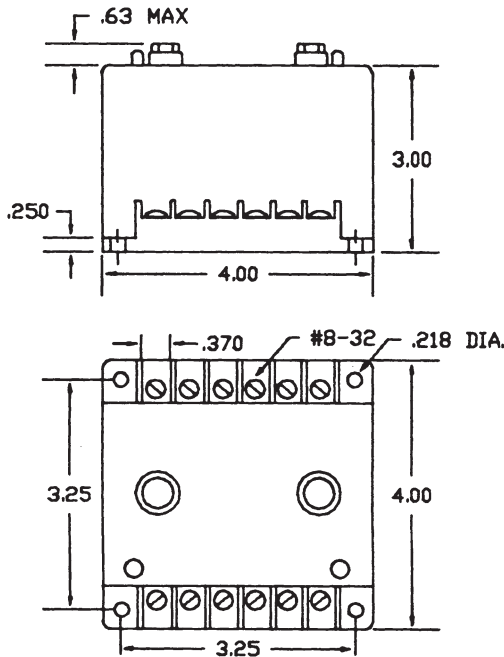
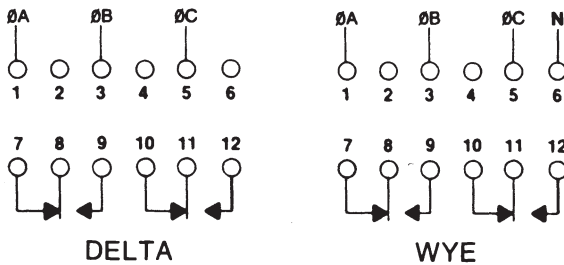


3-Phase Voltage Band Monitor

DIMENSIONS (INCHES)



WIRING



The **PBC Series** offers protection to three-phase equipment that is required to operate between two voltage limits. All three phases are monitored individually for a pre-selected **UNDER** and **OVER VOLTAGE** limit.

OPERATION

With normal operating voltages applied, the internal relay will energize (PICK-UP). When the voltages on any or all phases fall outside the pre-set Over/Under trip points for longer than the Release delay, the relay will de-energize (DROP-OUT). When line conditions return to normal, the PBC Series Monitor automatically resets and the internal relay energizes.

The LED fault indicators aid in set up and system trouble-shooting glowing on fault condition. The LED indicators have an immediate response to voltage conditions and operate independently of the relay.

The HYSTERESIS in each unit provides a differential of 4% between the PICK-UP and DROP-OUT trip points.

The PBC Series is UL Listed under UL File Number E55826.

SPECIFICATIONS

| | | |
|---------------------------|---|-------------------------------|
| OUTPUT RATING | DPDT, 10Amps @ 240 VAC, Resistive; 360 VA @ 600 VAC, Inductive; 1/2 hp | |
| POWER REQUIRED | Models Up to 300 VAC | 7 VA, Max |
| | Models Over 300 VAC | 6 VA, Max |
| RESET | Automatic | |
| HYSTERESIS | 4% | |
| REPEAT ACCURACY | 0.1% @ Fixed Condition | |
| INDICATORS LED | Glow On Fault; (1) For Over, (1) For Under | |
| RESPONSE TIMES | Operate | 100 mSEC |
| | Release | 0.5 SEC |
| TEMPERATURE RATING | Operate | 32° to +131°F (0° to +55°C) |
| | Storage | -49° to 185°F (-45° to +85°C) |
| WEIGHT | 20 oz. | |

DELTA CONNECTED

| MODEL NUMBER | MAXIMUM VOLTAGE | ADJUSTABLE RANGES | |
|--------------|-----------------|-------------------|---------|
| | | UNDER | OVER |
| PBC-120-ALE | 155 VAC | 90-120 | 120-150 |
| PBC-230-ALE | 275 VAC | 185-240 | 208-265 |
| PBC-400-ALE | 485 VAC | 325-385 | 415-475 |
| PBC-440-ALE | 550 VAC | 390-480 | 440-540 |
| PBC-480-ALE | 570 VAC | 400-490 | 460-560 |
| PBC-575-ALE | 700 VAC | 500-610 | 540-690 |

All voltages referenced on this page are phase-to-phase, unless otherwise indicated.

WYE CONNECTED

| MODEL NUMBER | MAXIMUM VOLTAGE | ADJUSTABLE RANGES (Phases to Neutral) | |
|-----------------|-----------------|--|---------|
| | | UNDER | OVER |
| PBC-120/208-ALE | 268 VAC | 90-120 | 120-150 |
| PBC-220/380-ALE | 450 VAC | 185-220 | 220-255 |
| PBC-277/480-ALE | 565 VAC | 235-277 | 277-320 |

All voltages referenced on this page are phase-to-phase, unless otherwise indicated.