



System lamps LED basic



- SL 24 basic: Easy and fast fastening in slot with mounting base; through-wired with two outputs for connecting further lamps
- SL 12 basic: Easy and fast fastening in slot with mounting base; with one output for connecting another lamp
- Suitable for use at ESD workstations when using fastening kit Plate or Bracket
- Color temperature: 5000 K

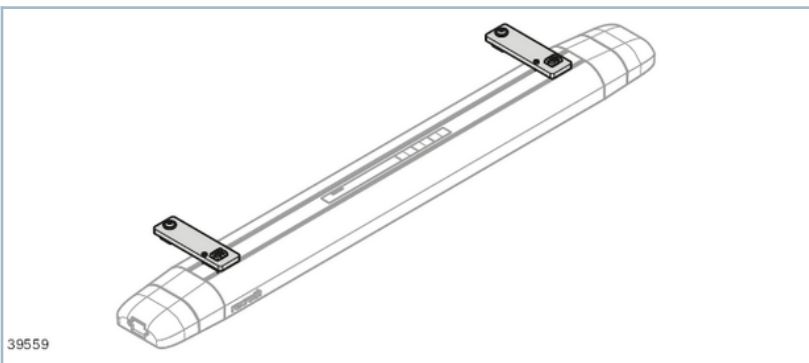
- **Power supply DIM box**
- For power supply of up to two SL 24 basic or four SL 12 basic system lamps (combinations of SL 12 basic and SL 24 basic possible)
- Stepless dimming (0 – 100 %) via ergonomic rotary control
- Mains connection via GST (with mains cable, connection cable, connecting plug)
- DC lamp connection via GST mini (GST mini connection cable)
- Simple and versatile fastening options in slot thanks to mounting base (included)
- Can be connected directly to the socket strip via the GST connecting plug
- **Fastening kit Plate**
- For installation on hanger
- **Fastening kit Bracket**
- For installation on a strut extension; swivel-mounted
- **Connection cable**
- For connection of power supply DIM box with system lamp basic
- For connection of system lamp basic with additional system lamp basic
- **Note:** According to **IEC 60364-4-41: Low-voltage electrical installations – Part 4-41: Protection for safety – Protection against electric shock:411.3.3 Additional protection** In a.c. systems, additional protection by means of a **residual current protective device (RCD)** in accordance with 415.1 shall be provided for – socket-outlets with a rated current not exceeding 20 A that are for use by ordinary persons and are intended for general use.

Product description

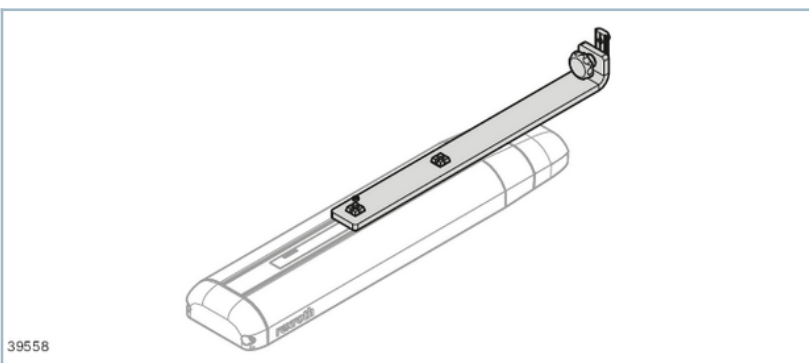
Power supply DIM box



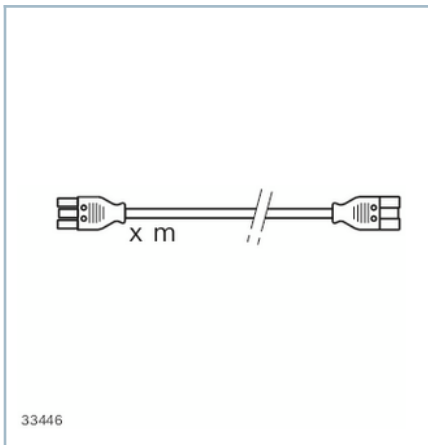
Fastening kit Plate



Fastening kit Bracket



Connection Cable

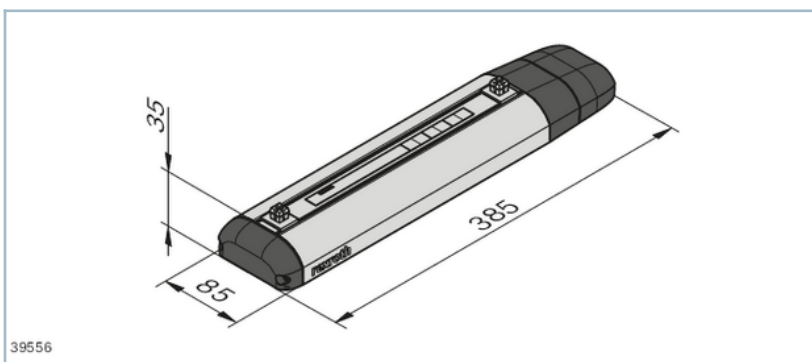
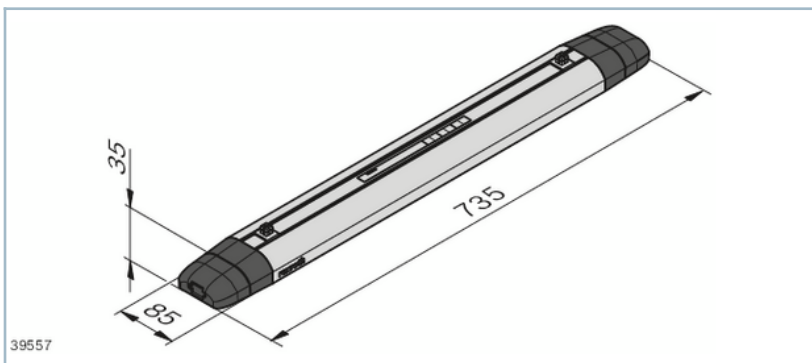


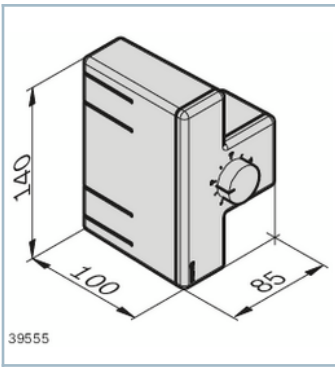
Workstation lighting

Technical data

	Protection type	Material	Color temperature
			K
	IP20 (DIN EN IEC 60529)	Housing: Aluminum; anodized	5000
Power supply DIM box			
Fastening kit Plate			
Fastening kit Bracket			

Dimensions





Accessories

Required accessories

Power supply DIM box

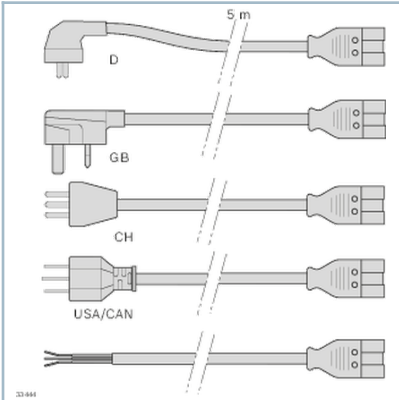
Mains cable

Connection Cable

Power supply DIM box

Fastening kit Plate

Fastening kit Bracket



Mains cable





- Ready-to-use mains cable: Available in various country versions; for simple, reliable plug-and-play installation with no specialist knowledge required
 - For connecting system lamps, socket strips or power strips
-

Delivery notes

Scope of delivery

Includes fastening kit (10 mm slot)

Ordering codes

	Fluorescent tubes	Service life	U (V) / f (Hz)	Mass	L		ESD	No.
		h		kg	m			
	LED/24 W	60000	< 60 V (DC SELV)	1				3842563245
	LED/12 W	60000	< 60 V (DC SELV)	0.6				3842563246
Power supply DIM box		45000	100-240 V/50 Hz; 60 Hz	0.4				3842563247
Fastening kit Plate								3842563254
Fastening kit Bracket								3842563276
					1			3842563248
					2			3842563249
					3			3842563250
					10			3842517055