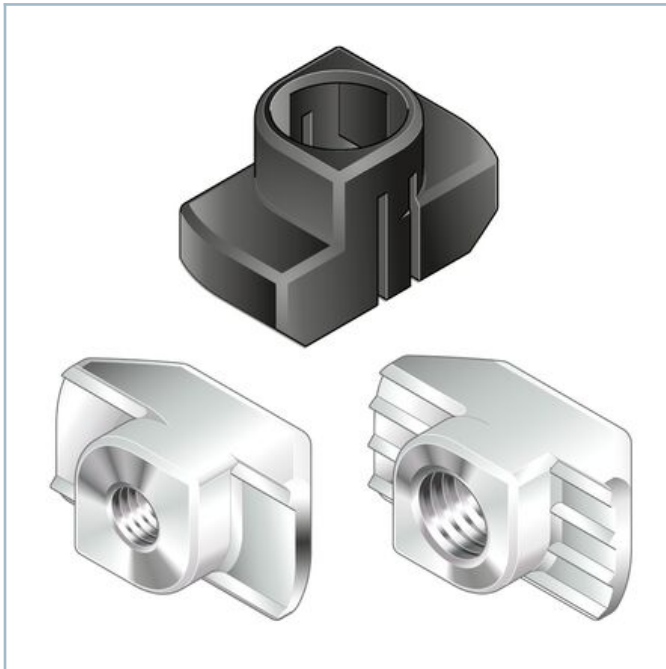
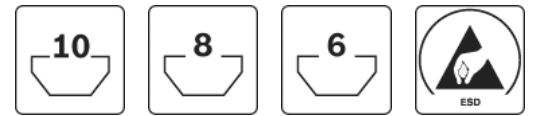


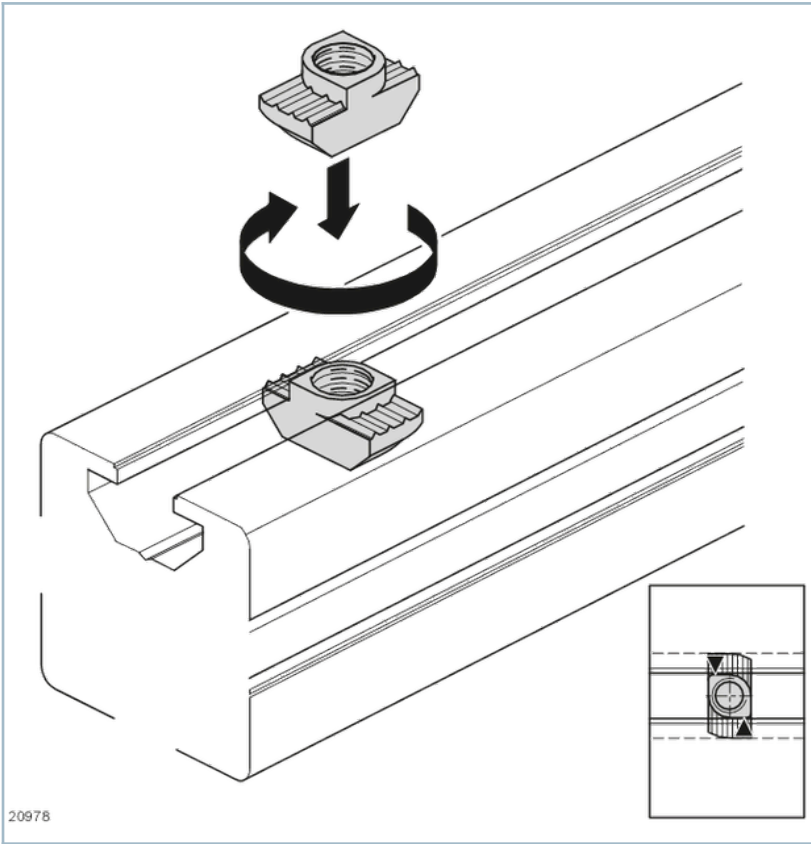
T-nut



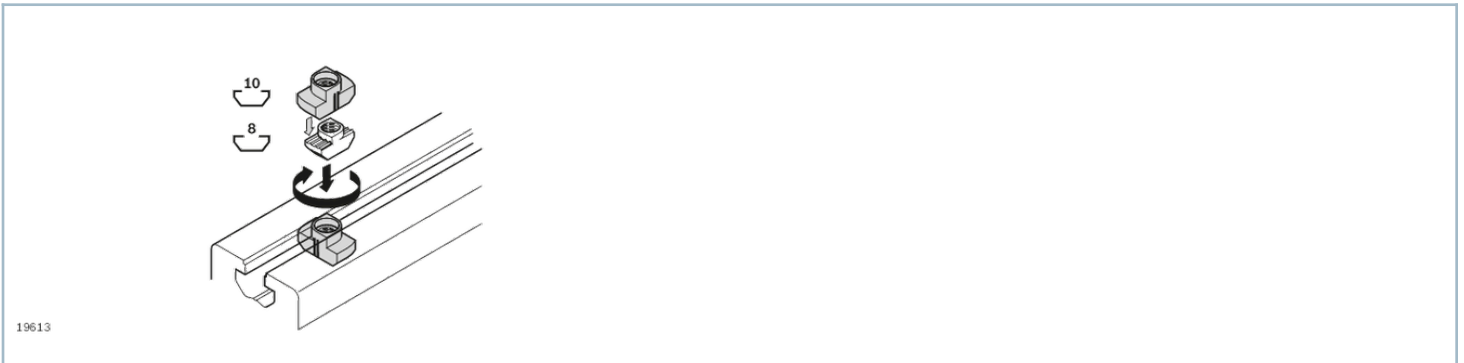
- Standard element for secure, conductive connections
 - Stop for correct positioning in the profile slot
 - Stainless steel T-nut, e.g. for outdoor or cleanroom applications
-
- Profile finishing: not required
 - Insulating cover cap for decoupling directly grounded components; for use with T-nuts for 8 mm slots in a 10 mm slot

Product description

T-nut



Insulating cover cap for T-nut, 8 mm slot



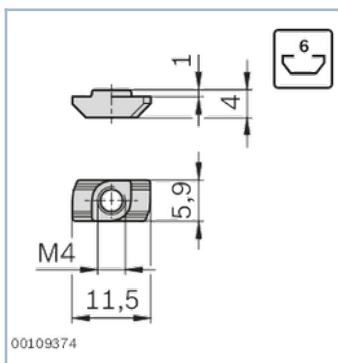
Technical data

No.	Material
3842523135	Galvanized steel
3842536599	Stainless steel
3842501751	Galvanized steel
3842501752	
3842501753	
3842536600	Stainless steel
3842536601	
3842536602	
3842530281	Galvanized steel
3842530283	
3842530285	
3842530287	
3842536606	Stainless steel
3842536605	
3842536604	
3842536603	
3842524012	PA; high-strength, black

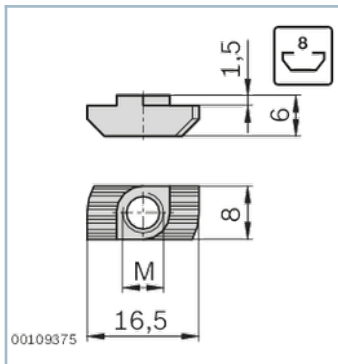
Nut	
6	1700 N
8 (M6)	4000 N
10 (M8)	6000 ... 18000N ¹⁾
1) Depending on the profile	

Dimensions

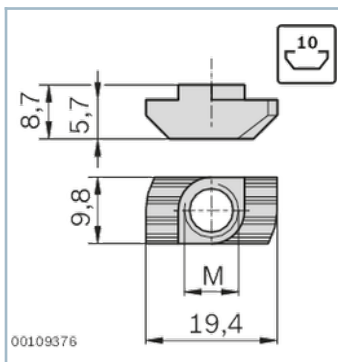
T-nut M4, 6 mm slot



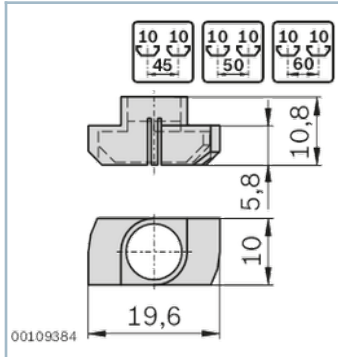
T-nut M6, 8 mm slot



T-nut 10 mm slot



Insulating cover cap for T-nut, 8 mm slot




















Accessories

Required accessories

insulating cap

Ordering codes

	Groove	M		ESD	No.
T-nut 6 mm slot steel; galvanized	6	M4	100		3842523135
T-nut 6 mm slot stainless steel	6	M4	100		3842536599
T-nut 8 mm slot steel; galvanized M4	8	M4	100		3842501751
T-nut 8 mm slot steel; galvanized M5 ¹⁾	8	M5	100		3842501752
T-nut 8 mm slot steel; galvanized M6 ¹⁾	8	M6	100		3842501753
T-nut 8 mm slot stainless steel M4	8	M4	100		3842536600
T-nut 8 mm slot stainless steel M5	8	M5	100		3842536601
T-nut 8 mm slot stainless steel M6	8	M6	100		3842536602
T-nut 10 mm slot steel; galvanized M4	10	M4	100		3842530281
T-nut 10 mm slot steel; galvanized M5 ¹⁾	10	M5	100		3842530283
T-nut 10 mm slot steel; galvanized M6 ¹⁾	10	M6	100		3842530285
T-nut 10 mm slot steel; galvanized M8 ¹⁾	10	M8	100		3842530287
T-nut 10 mm slot stainless steel M4	10	M4	100		3842536606
T-nut 10 mm slot stainless steel M5	10	M5	100		3842536605
T-nut 10 mm slot stainless steel M6	10	M6	100		3842536604
T-nut 10 mm slot stainless steel M8	10	M8	100		3842536603
Insulating cover cap for T-nut, 8 mm slot	10		10		3842524012

1) Suitable for standard screws. **Attention:** T-nuts have driving torque for safe turning in the base of the slot.