

Part number

# CX 01 JM



Male modular insert, Mixo Data series, RJ45, 2 modules, without connector, for 1 RJ45 connector and 4 10 A CD contacts

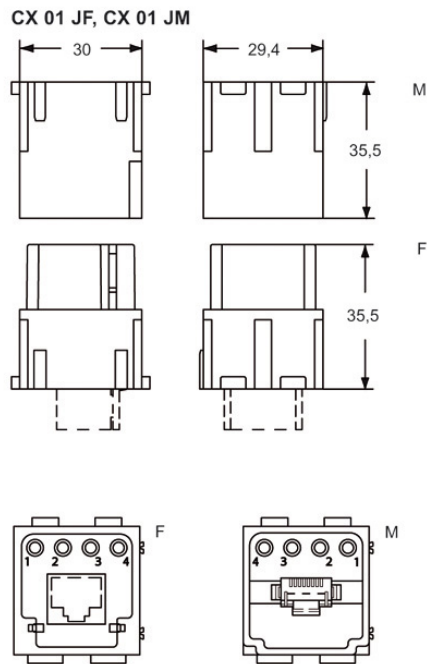
Product description		Material properties	
<b>Product type</b>	Modular insert	<b>Main material</b>	Polycarbonate (PC)
<b>Series</b>	Mixo Data	<b>Colour</b>	RAL 7032 grey
<b>Connection type</b>	RJ45	<b>RoHs conformity</b>	Compliant
<b>Gender</b>	Male	<b>China RoHs - EFUP</b>	E
<b>N. of poles</b>	1 seat for RJ45 connector	<b>REACH SVHC substances</b>	No
<b>Auxiliary poles</b>	4D	<b>Approvals / Standards</b>	
<b>Size</b>	2 modules	<b>Reference standard</b>	EN 61984:2009-06
<b>Specification</b>	For 1 RJ45 connector and 4 10 A CD contacts RJ45, adapter for Cat. 6A male connector	<b>Certifications</b>	CSA, CQC, DNV, BV, EAC
Technical data		<b>UL</b>	ECBT2
<b>Current</b>	1 A	<b>cUL</b>	ECBT8
<b>Rated voltage according to UL/CSA</b>	600V	<b>General ordering information</b>	
<b>IP degree of protection</b>	IP20 without enclosure, IP65/IP66/IP68/IP69 with enclosure	<b>EAN13 code</b>	8015747166010
<b>Further technical details</b>		<b>eCl@ss 8.1</b>	27440205
<b>Characteristics according to EN 61984</b>	10A 250V 4kV 3	<b>ETIM 7.0</b>	EC000438
<b>Insulation resistance</b>	≥ 10 GΩ	<b>Packaging Information</b>	
<b>Contact resistance</b>	≤ 3 mΩ	<b>Packaging length</b>	350,00 mm
<b>Weight</b>	16,00 g	<b>Packaging height</b>	105,00 mm
<b>Operating temperature range (min, max)</b>	-40°C ... +120°C	<b>Packaging width</b>	145,00 mm
<b>UL 94 flammability rating</b>	V-0	<b>Packaging weight</b>	1,12 kg
		<b>Packaging volume</b>	5,33 dm <sup>3</sup>
		<b>Packaging description</b>	Carton box
		<b>Packaging quantity</b>	60 Pcs
		<b>Packaging EAN code</b>	8015747221030
		<b>Sub-packaging length</b>	35,00 mm
		<b>Sub-packaging height</b>	40,00 mm
		<b>Sub-packaging width</b>	155,00 mm
		<b>Sub-packaging weight</b>	0,09 kg
		<b>Sub-packaging volume</b>	0,22 dm <sup>3</sup>
		<b>Sub-packaging description</b>	Carton tray
		<b>Sub-packaging quantity</b>	5 Pcs
		<b>Sub-packaging EAN barcode</b>	8015747166058

Part number

# CX 01 JM



Catalogue drawings



## Notes

CX 01 J inserts:

- characteristics according to EN 61984:  
4 Auxiliary contacts: (10A 250V 4kV 3)

the modular inserts must be installed in suitable frames which in turn are installed in traditional housings or COB panel support

Dimensions shown in mm are not binding and may be changed without notice.