

Part number

# TMAO 16.32



Hood, T-TYPE series, with 4 pegs, M32 side cable entry, size "77.27"

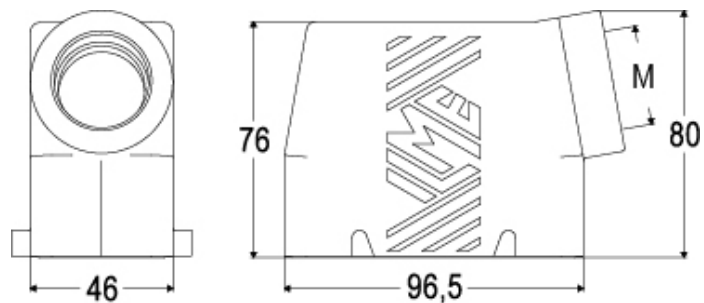
Product description		Material properties	
<b>Product type</b>	Hood	<b>Main material</b>	Polypropylene (PP)
<b>Series</b>	T-TYPE	<b>Colour</b>	RAL 7012 grey
<b>Closing type</b>	With 4 pegs	<b>RoHs conformity</b>	Compliant
<b>Size</b>	Size "77.27"	<b>China RoHs - EFUP</b>	E
<b>Cable entry</b>	Side cable entry M32	<b>REACH SVHC substances</b>	No
Technical data		Approvals / Standards	
<b>IP degree of protection</b>	IP65 / IP66 / IP69	<b>UL</b>	ECBT2
<b>Further technical details</b>		<b>cUL</b>	ECBT8
<b>Weight</b>	130,00 g	General ordering information	
<b>Operating temperature range (min, max)</b>	-40°C ... +90°C	<b>EAN13 code</b>	8015747168694
		<b>eCl@ss 8.1</b>	27440202
		<b>ETIM 7.0</b>	EC000437
		Packaging Information	
		<b>Packaging length</b>	280,00 mm
		<b>Packaging height</b>	180,00 mm
		<b>Packaging width</b>	230,00 mm
		<b>Packaging weight</b>	2,84 kg
		<b>Packaging volume</b>	11,59 dm <sup>3</sup>
		<b>Packaging description</b>	Carton box
		<b>Packaging quantity</b>	20 Pcs
		<b>Packaging EAN code</b>	8015747171168
		<b>Sub-packaging weight</b>	0,71 kg
		<b>Sub-packaging description</b>	Plastic packaging
		<b>Sub-packaging quantity</b>	5 Pcs
		<b>Sub-packaging EAN barcode</b>	8015747171175

Part number

# TMAO 16.32



## Catalogue drawings



## Notes

Dimensions shown in mm are not binding and may be changed without notice.

---