

Part number

CX 01 JF



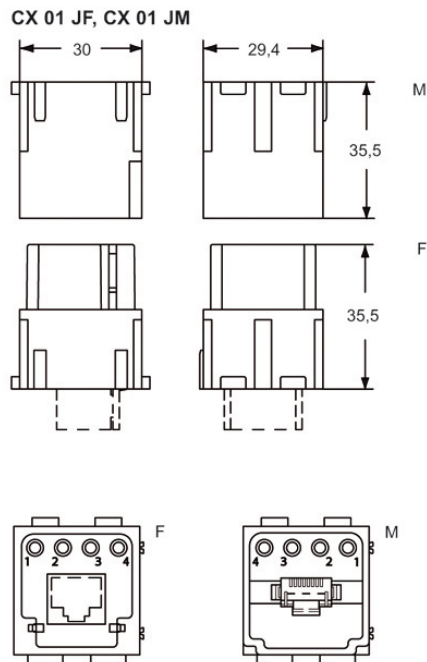
Female modular insert, Mixo Data series, RJ45, 2 modules, without connector, for 1 RJ45 connector and 4 10 A CD contacts

Product description		Material properties	
Product type	Modular insert	Main material	Polycarbonate (PC)
Series	Mixo Data	Colour	RAL 7032 grey
Connection type	RJ45	RoHs conformity	Compliant
Gender	Female	China RoHs - EFUP	E
N. of poles	1 seat for RJ45 connector	REACH SVHC substances	No
Auxiliary poles	4D	Approvals / Standards	
Size	2 modules	Reference standard	EN 61984:2009-06
Specification	For 1 RJ45 connector and 4 10 A CD contacts RJ45, adapter for Cat. 6A female connector	Certifications	CSA, CQC, DNV, BV, EAC
Technical data		UL	ECBT2
Current	1 A	cUL	ECBT8
Voltage	50 V	General ordering information	
Rated voltage according to UL/CSA	600V	EAN13 code	8015747166003
IP degree of protection	IP20 without enclosure, IP65/IP66/IP68/IP69 with enclosure	eCl@ss 8.1	27440205
Further technical details		ETIM 7.0	EC000438
Characteristics according to EN 61984	10A 250V 4kV 3	Packaging Information	
Insulation resistance	≥ 10 GΩ	Packaging length	350,00 mm
Contact resistance	≤ 3 mΩ	Packaging height	105,00 mm
Weight	20,00 g	Packaging width	145,00 mm
Operating temperature range (min, max)	-40°C ... +120°C	Packaging weight	1,30 kg
UL 94 flammability rating	V-0	Packaging volume	5,33 dm ³
		Packaging description	Carton box
		Packaging quantity	60 Pcs
		Packaging EAN code	8015747221023
		Sub-packaging length	35,00 mm
		Sub-packaging height	40,00 mm
		Sub-packaging width	155,00 mm
		Sub-packaging weight	0,11 kg
		Sub-packaging volume	0,22 dm ³
		Sub-packaging description	Carton tray
		Sub-packaging quantity	5 Pcs
		Sub-packaging EAN barcode	8015747166041

Part number
CX 01 JF



Catalogue drawings



Notes

CX 01 J inserts:

- characteristics according to EN 61984:
4 Auxiliary contacts: (10A 250V 4kV 3)

the modular inserts must be installed in suitable frames which in turn are installed in traditional housings or COB panel support

Dimensions shown in mm are not binding and may be changed without notice.