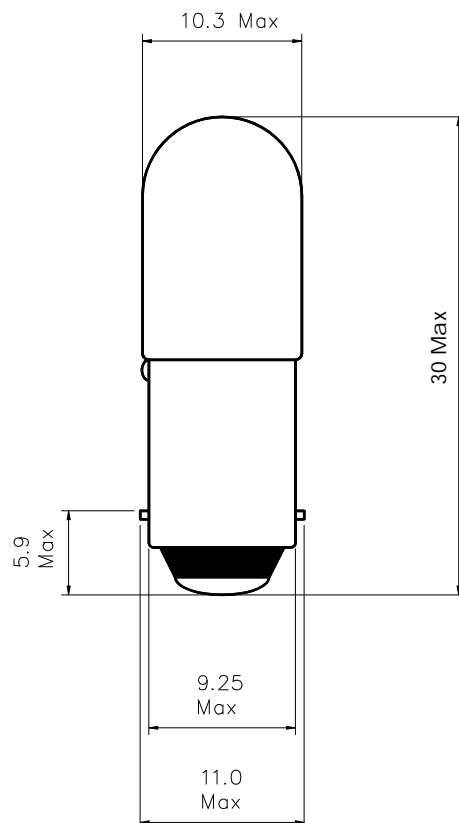


Part Number : **CM1891**

Type	Size	Rating	Description
Incandescent	T10	14V 240mA	T-3¼ Miniature Bayonet lamp

Dimensions(mm):



TEST VOLTS	CURRENT (mA)			LIGHT OUTPUT (Lm)			LIFE Hours
	Min.	Nom.	Max.	Min.	Nom.	Max.	
14	216	240	264	20	25	30	500

Notes:

- Lamp base BA9s/13 in accordance with IEC61-1, (BS EN 60061-1) sheet 7004-14-x.
- Lamp marking **CML1891 14V 240mA**
- Filament shape C-2F
- Bead colour: White or Clear
- Light centre length 16mm nominal
- RoHS and REACH SVHC compliant

Issue # 1 : 6June13