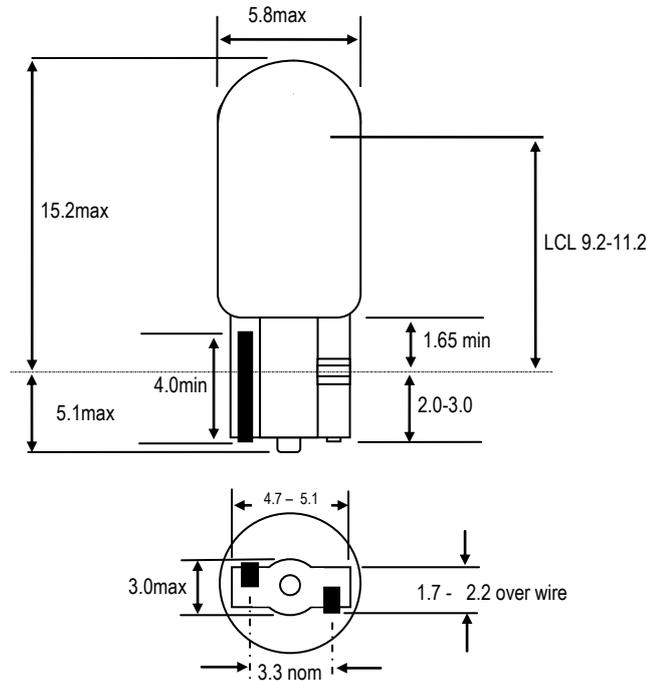


Description : **T-1¾(6mm) Wedge base lamp 28V 40mA**

Dimensional Characteristics : All dimensions in mm



**Filament construction C-2F**

Marking

**CML85 28V**

Performance Characteristics @ 28 volts

	Nominal	Minimum	Maximum
Current(mA)	40	36	44
Light output(Lm)	3.8	2.9	4.7
Life(hrs)	10,000		