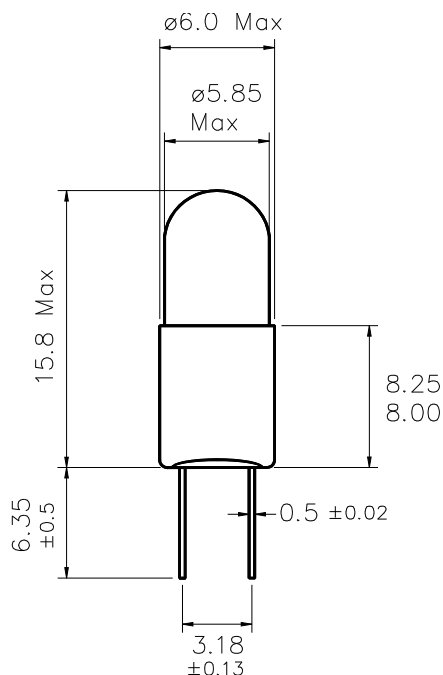


Part Number: 7361

Type	Size	Rating	Description
Incandescent	T6	5V 60mA	T-1¾ Bi-pin Lamp



Dimensions in millimetres

TEST VOLTS	CURRENT (mA)			LIGHT OUTPUT (Lm)			LIFE Hours
	Min.	Nom.	Max.	Min.	Nom.	Max.	
5	54	60	66	0.47	0.63	0.79	25,000

Notes:

- | | | |
|---|-----------------------|-----------------------------|
| 1 | Base Type | White nylon |
| 2 | Filament Shape | C-2R |
| 3 | Lamp Marking | 7361 5V 60mA |
| 4 | Environmental | RoHS & REACH SVHC compliant |