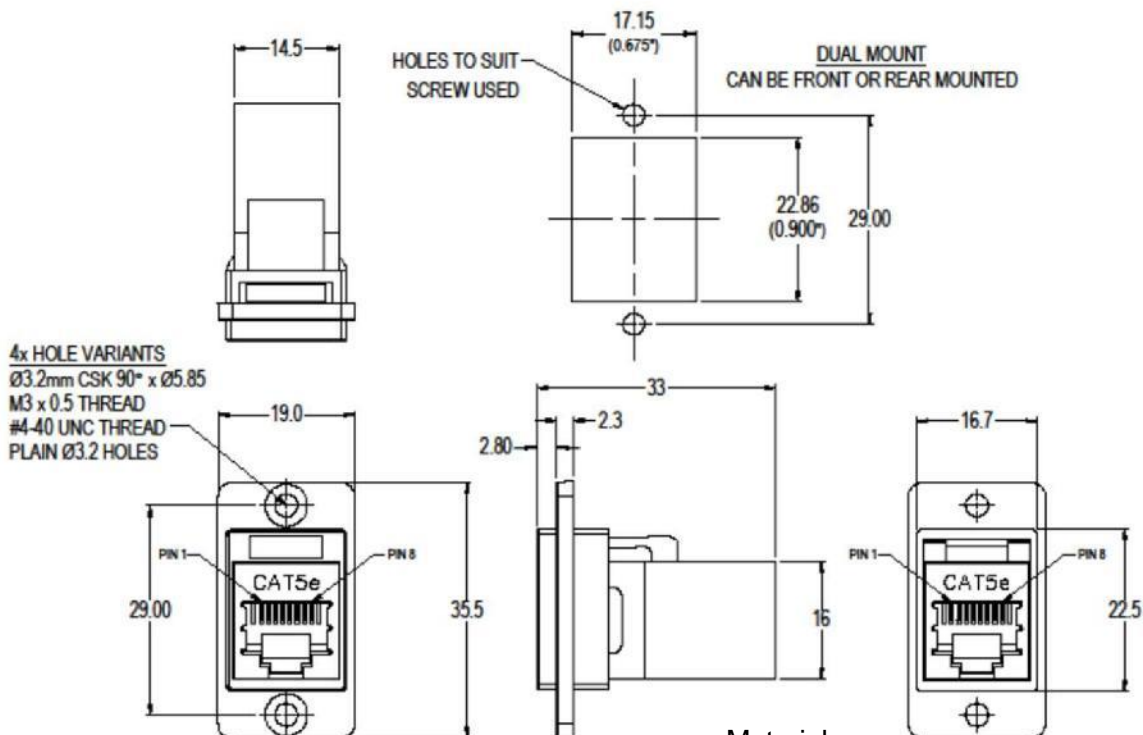


Datasheet

RS PRO SLIM DUAL MOUNTING METAL FRAME CAT5e RJ45 SHIELDED FT CONNECTOR

Stock No: 2522989



Performance:

- 1.T568A & T568B wiring.
- 2.Meet ISO/IEC 11801 and EN50173
- 3.Meet ANSI/TIA/EIA 568B.2
- d.Operating temperature: Min -10°C Max +70°C

rspro.com

Material:

- 1.RJ45 In-Line Coupler: PC/ABS, UL 94V-0, Black colour
- 2.RJ45 In-Line Coupler Contact: Phosphor Bronze, 3-50 micro inches gold plating over nickel plate.
- 3.PCB: FR4, UL 94V-0
- 4.Frame: Diecast, Nickel or black plated

Features & Benefits:

- Fits standard rectangular cutout.
- Front or rear mounting through the panel.
- Various hole mounting options
- No soldering or punch termination. Use standard cable for each connector style.
- Low rear profile

General:

Please note: Functionality is affected by cable quality, length and cable wiring configuration.

Other models available:

Part No.

2522989 - DUALSLIM FT Cat5e RJ45 Shielded Black metal frame, M3 holes



rspro.com

