

FEATURES

- 50 Ω impedance
- Operating frequency is 4GHz
- Gold-plated body
- Gold-plated contacts ensure maximum efficiency

RS PRO Family Name

RS Stock No.: 2469455



RS Professionally Approved Products bring to you professional quality parts across all product categories. Our product range has been tested by engineers and provides a comparable quality to the leading brands without paying a premium price.

Product Description

The cable mount BNC connector plug has nickel plated body, gold plated centre contact and is suitable for RG174 cables. This 50 Ω straight BNC connector plug comes with bayonet coupling and a cable crimp termination. It is suitable for a variety of applications including video signalling and test equipment.

General Specifications

Type of coaxial connector	BNC male connector
Body Orientation	Straight
Body Plating	Nickel
Body Material	Copper
Termination Method	Crimp
Contact Material	Copper
Contact Plating	Gold
Mounting Type	Cable Mount
Gender	Male
Insulation Material	PTFE
Cable type	RG174

Electrical Specifications

Temperature Range	-45°~+85°
Characteristic Impedance	50 Ω
Frequency Range	0~3GHz
Working Voltage	335V
Insulation Resistance	$\geq 1000M\Omega$
Medium Pressure	750V(rms)
VSWR	≤ 1.5
Working Life	500Cycles

Protection Category

--	--

Additional Information

EAN	
Custom Tariff Number	

Classification

eCl@ss (Version)	
UNSPSC (Version)	

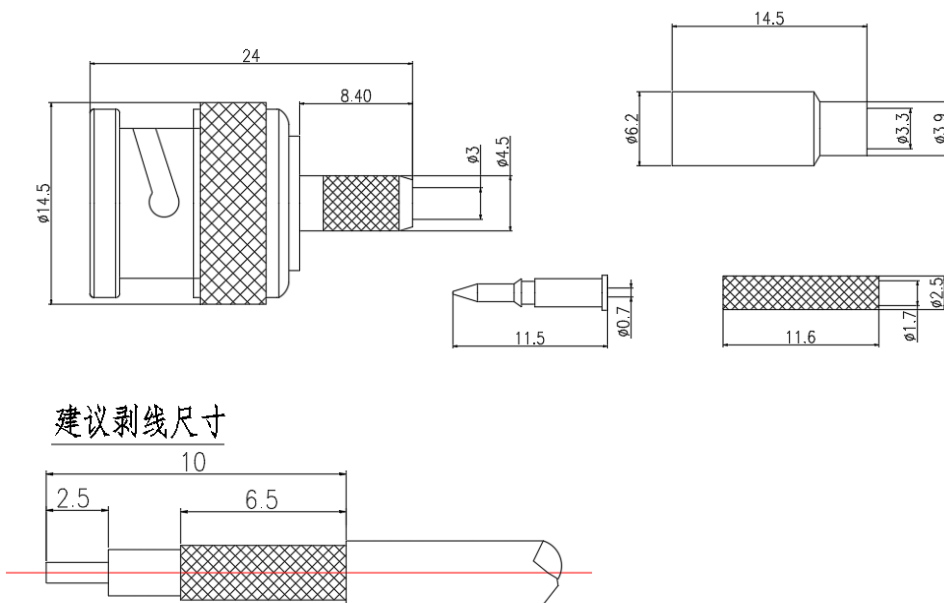
Approvals

Declarations	CE
Hazardous Area Certification	
Standards Met	ROHS

Similar Products

Stock No.	Brand	Product Name	Attribute 1	Attribute 2	Attribute 3
5463620 /5463585	RS PRO	RF coaxial connector	50Ω impedance	Operating frequency is 4GHz	

Connection Diagrams / Assembly Diagrams / Illustrations / Accessories



Family Name

