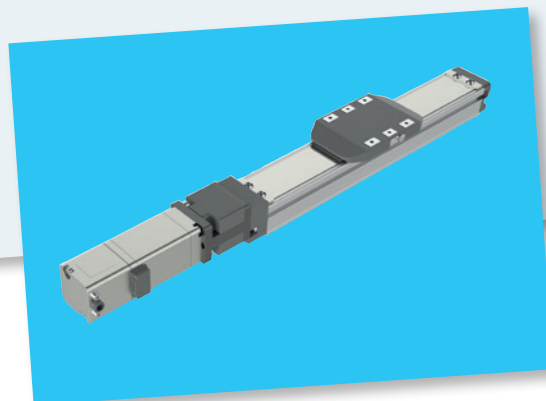
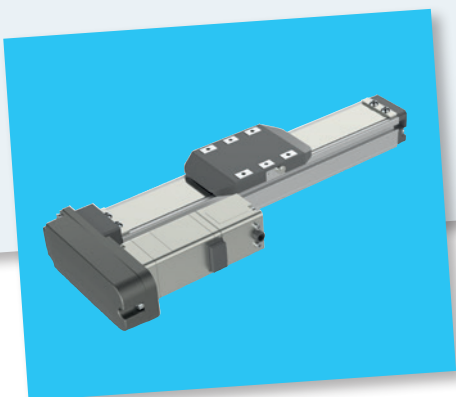


Small Modules Screw driven – SMS



Identification system for short product names

Example		SM	S	040	P12	100
System	= S mall M odules					
Drive	= S crew drive (ball screw assembly)					
Size	= 030 / 040 / 050 / 080 / 120					
Lead	= P (lead 12 mm)					
Maximum travel range	= s_{max} (maximum travel range 100 mm)					

Changes/additions at a glance

- ▶ Chapter "Structure": frame structure added
- ▶ Adaptation of technical data
- ▶ Dimensional drawings/sectional view of the frame
- ▶ Motor attachment tables
- ▶ Chapter "Additional information" : mounting, switch mounting

Contents

Identification system for short product names	2
Contents	3
Product description	4
Product overview	6
Structural design	8
Technical data	10
Dimension drawings	12
Material numbers/ordering examples	14
Accessories	16
Motor attachment dimension drawings	16
IndraDyn S - Servo motors MSM	18
Additional information	20
Mounting / switch mounting / operating conditions / lubrication / online information	20

Product description

Characteristic features

Rexroth SMS systems meet the precision and load-bearing capacity requirements of numerous popular applications and complement the tried-and-tested portfolio of high-performance linear axes.

Structural design

- ▶ Ready-to-install module configurations in predefined lengths available ex stock
- ▶ Five matched sizes based on an ultra-compact aluminum profile with integrated guideways
- ▶ Carriage driven via ball screw assembly
- ▶ Protection of the installation elements by magnetically fixed sealing strip made of stainless steel
- ▶ In usual Rexroth quality and precision with a repeatability up to ± 0.005 mm

Attachments (range of accessories)

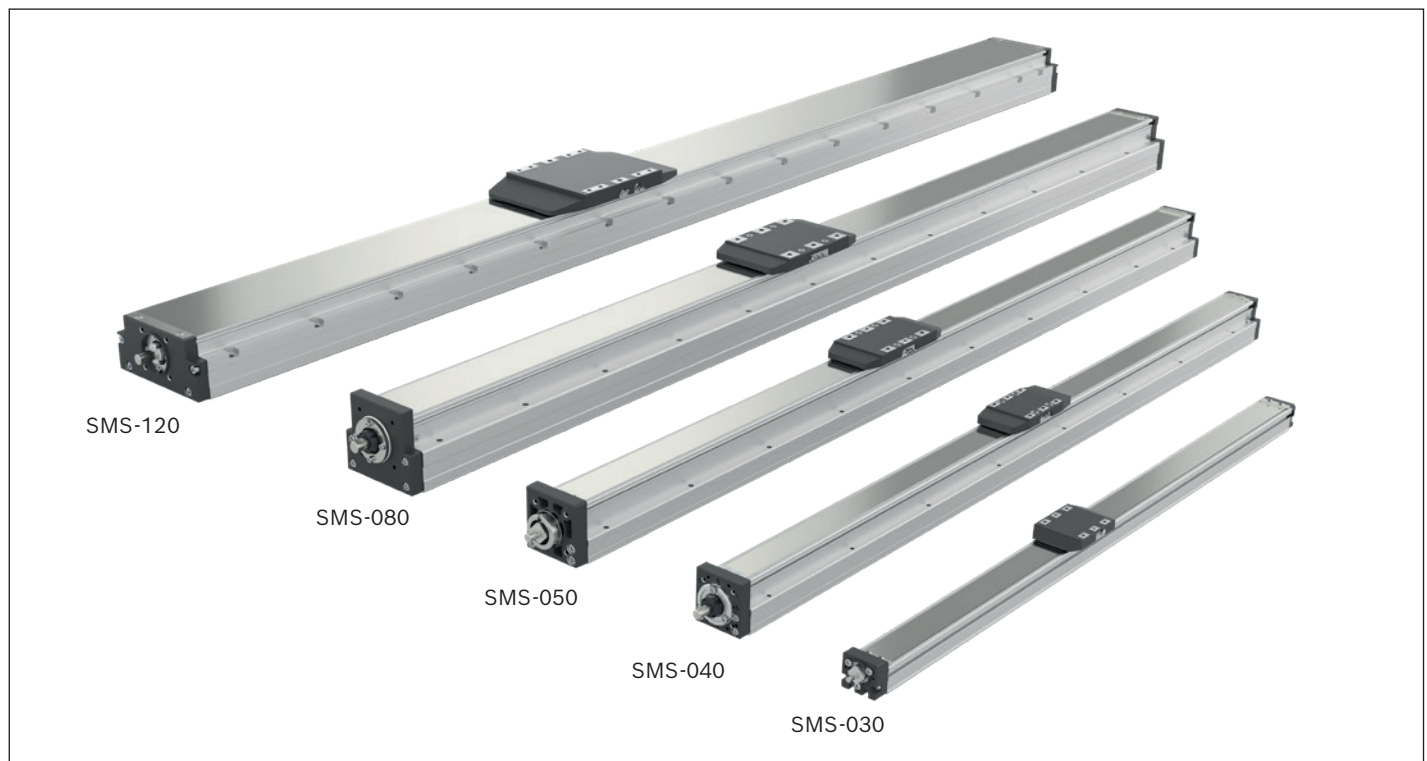
- ▶ Motor attachment either with flange and coupling or with belt side drive
- ▶ Optionally with Rexroth servo motor MSM

Further highlights

- ▶ Simple product selection with fewer application parameters
- ▶ Online ordering via Rexroth Store and other digital marketplaces
- ▶ Exact handling with very good positioning accuracy
- ▶ Economical solution of simple positioning tasks with excellent price/performance ratio

Application areas

- ▶ Pick and place
- ▶ Handling
- ▶ Placement systems, palletizers
- ▶ Feed units
- ▶ Motion units

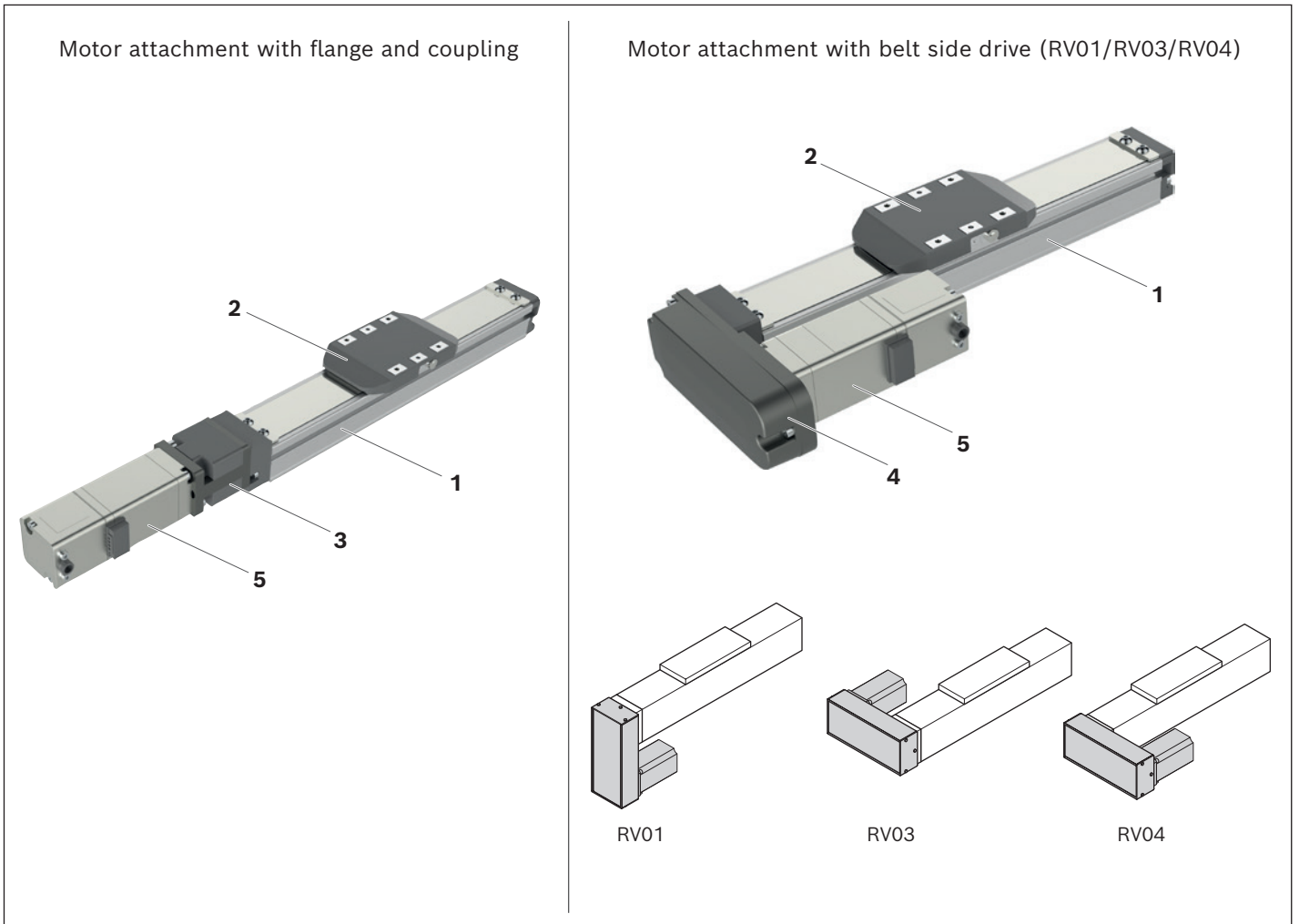


Form of delivery

SMS systems come fully assembled.

Range of accessories

Structure of flange and coupling or with belt side drive (RV01/RV03/RV04) are available in the range of accessories.



- 1 Frame SMS
- 2 Carriage
- 3 Flange and coupling
- 4 Belt side drive
- 5 Motor

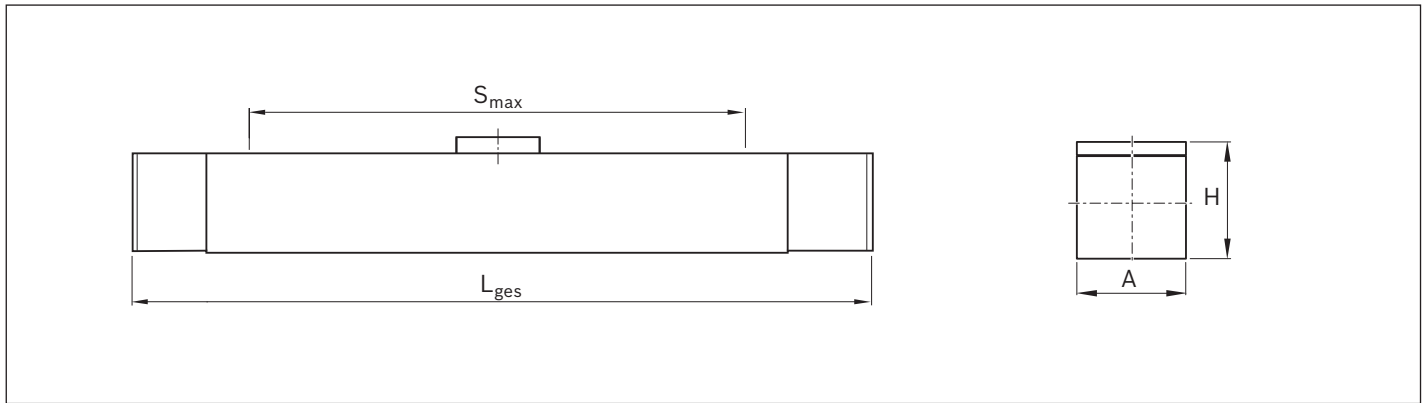
Lubrication

SMS systems are delivered with initial greasing.

Documentation

Each SMS system is supplied with the accompanying documentation.

Product overview



SMS	A	H	Dimensions (mm)								
			S _{max}	L _{total}							
-030	30	30	S _{max}	50	100	150	200	300	400	500	–
			L _{total}	165	215	265	315	415	515	615	–
-040	44	52	S _{max}	100	200	300	400	500	600	800	1 000
			L _{total}	261	361	461	561	661	761	961	1 161
-050	54	60	S _{max}	100	200	300	400	500	600	800	1 000
			L _{total}	263	363	463	563	663	763	963	1 163
-080	82	78	S _{max}	100	200	400	600	800	1 000	1 200	–
			L _{total}	318	418	618	818	1 018	1 218	1 418	–
-120	120	76	S _{max}	100	200	400	600	800	1 000	1 200	–
			L _{total}	339	439	639	839	1 039	1 239	1 439	–

Structural design

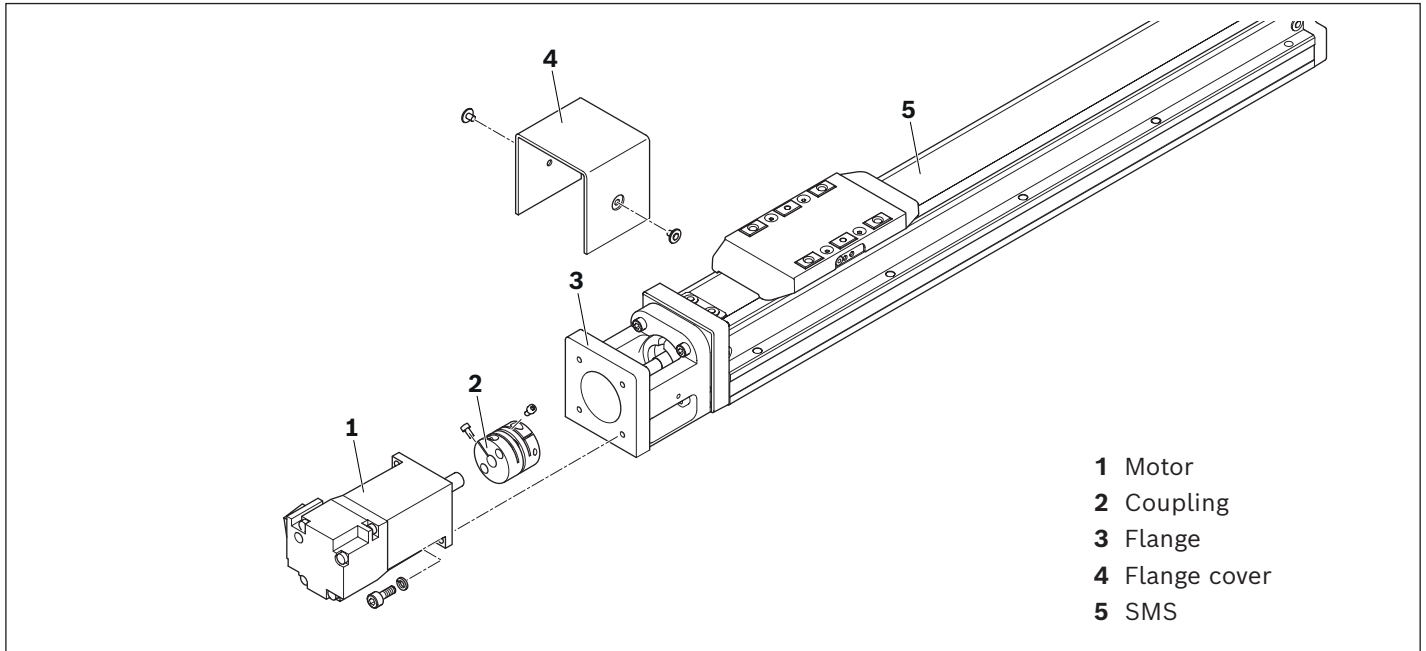
Structure of flange and coupling

A motor with flange and coupling can be attached to all SMS systems with ball screw assembly.

The flange serves to fasten the motor to the SMS system and acts as a closed housing for the coupling.

The coupling transmits the motor drive torque free of distortive stresses to the drive shaft of the SMS system.

Standard couplings compensate for the system's thermal expansion.

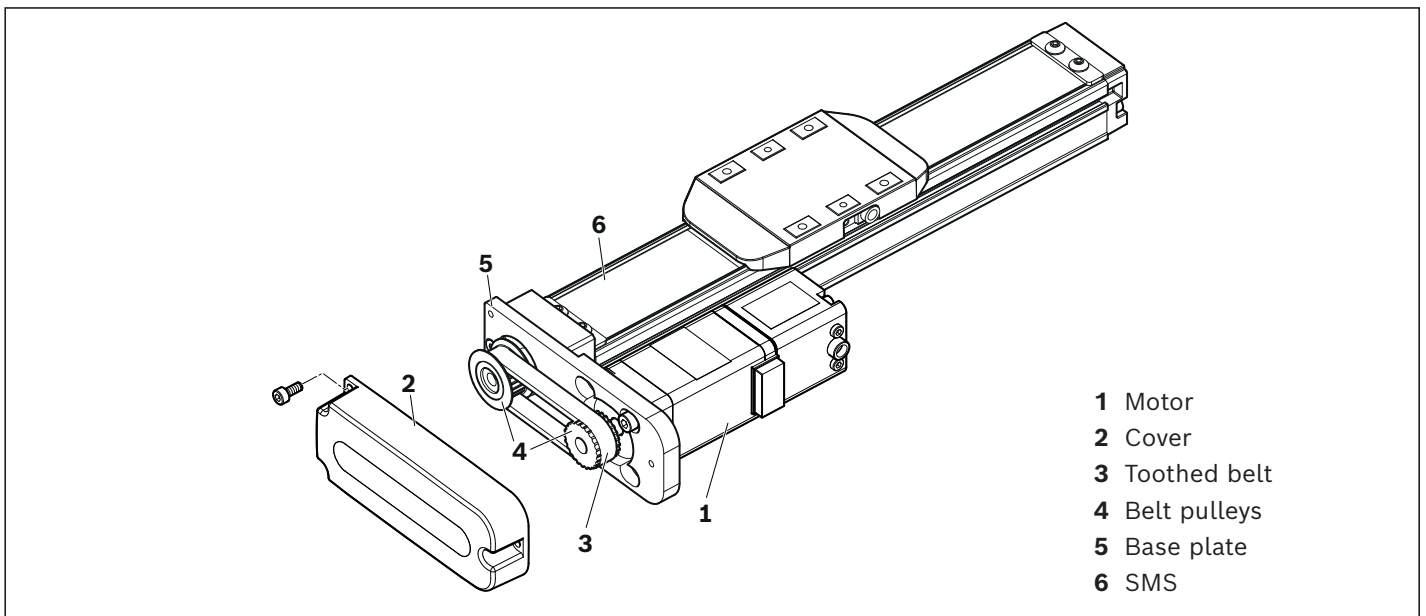


Structure of belt side drive

A motor can be attached using a belt side drive to all SMS systems with ball screw assembly.

This makes the overall system length shorter than the motor attachment with flange and coupling.

The belt side drive serves as protection for the belt and as a motor bracket. Gear ratio $i = 1$.

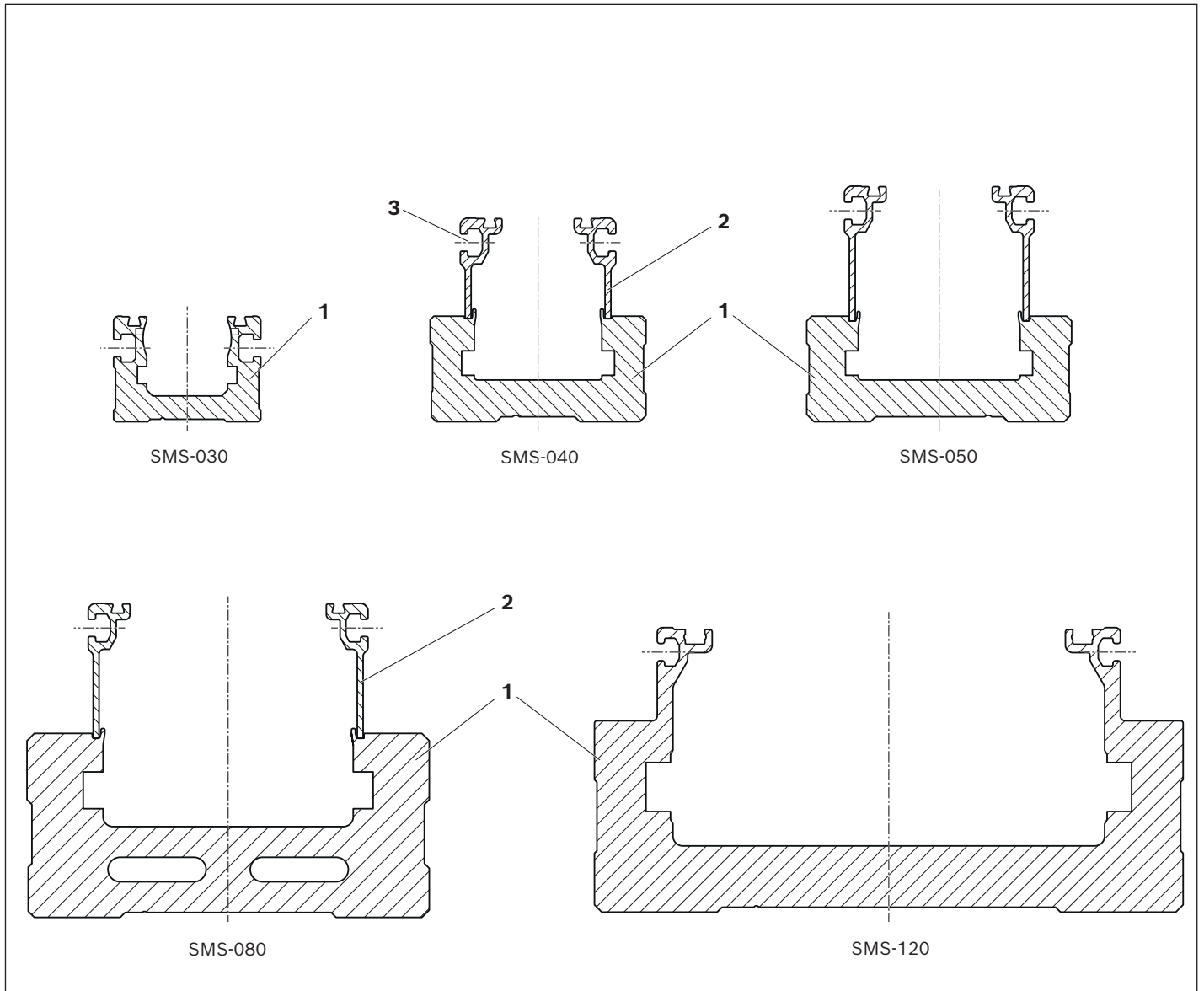


Frame

SMS -030 and 120: Frame (1) made of aluminum profile

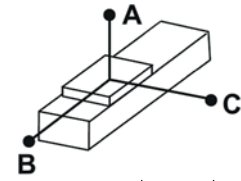
SMS -040 until 080: Frame (1) and side cover(2) made of aluminum profile

SMS all sizes: slot (3) for switch attachment on both sides

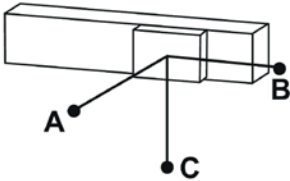
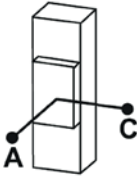


Technical data

Size	Max. travel range	Max. speed	Weight	Max. acceleration	BASA	Horizontal application	Motor Power ¹⁾	Moved external load ²⁾	Max. permissible overhang ³⁾ (mm)			
	s_{\max} (mm)	v_{\max} (m/s)	(kg)			a_{\max} (m/s ²)			$\varnothing d_0 \times P$ (mm)	W	$m_{\text{ex max}}$ (kg)	A
-030	50	0,48	0,220	1,5	6 x 8	30	6	117	17	18		
	100	0,48	0,270					8	84	12	12	
	150	0,48	0,330					10	64	9	9	
	200	0,43	0,370									
	300	0,32	0,480									
	400	0,24	0,600									
500	0,16	0,719										
-040	100	0,72	1,000	3,6	10 x 12	50 / 100	8	250	58	71		
	200	0,72	1,350				12	160	36	44		
	300	0,72	1,710				100	14	134	29	36	
	400	0,72	2,070			20		87	18	23		
	500	0,66	2,430									
	600	0,54	2,790									
	800	0,30	3,510									
1 000	0,20	4,240										
-050	100	0,60	1,570	3,0	12 x 10	100	10	404	78	95		
	200	0,60	1,890				18	209	39	47		
	300	0,60	2,280				24	148	26	32		
	400	0,60	2,530									
	500	0,60	2,730									
	600	0,50	3,060									
	800	0,30	3,870									
1 000	0,18	5,390										
-080	100	0,60	3,860	3,0	16 x 10	200 / 400	40	312	58	82		
	200	0,60	4,570				65	174	30	43		
	400	0,60	5,920				80	132	22	31		
	600	0,60	7,280				400	88	115	19	27	
	800	0,45	8,530									
	1 000	0,26	9,850									
	1 200	0,18	11,530			6,0	16 x 20	200 / 400	20	247	95	110
	100	1,20	3,860	30	157				58	68		
	200	1,20	4,570	40	112				40	47		
	400	1,20	5,920									
	600	1,20	7,280									
	800	0,90	8,530									
	1 000	0,53	9,850									
	1 200	0,36	11,530									
-120	100	0,60	4,820	3,0	16 x 10	400	30	2 321	459	591		
	200	0,60	5,520				50	1 358	265	342		
	400	0,60	6,920				88	736	140	180		
	600	0,60	8,320				9,6	16 x 32	15	708	448	397
	800	0,50	9,720						25	415	259	230
	1 000	0,33	11,120						30	341	211	189
	1 200	0,25	12,520									
	100	1,92	4,820									
	200	1,92	5,520									
	400	1,92	6,920									
	600	1,92	8,320									
	800	1,60	9,720									
	1 000	1,06	11,120									
	1 200	0,80	12,520									



The service life of the SMS axes is 10 000 km if the product is used under the specified conditions.

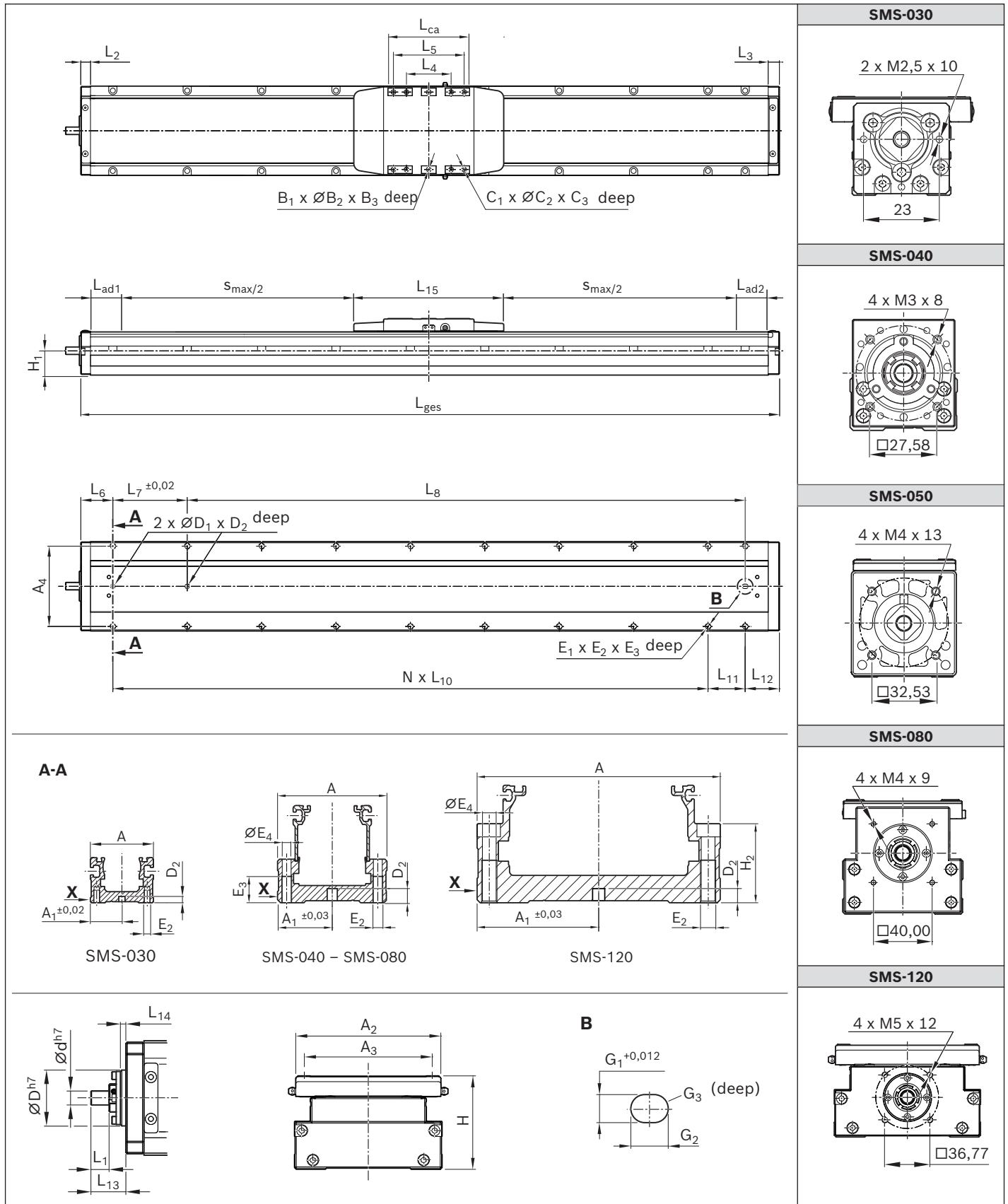
Wall mounting					Vertical application					Max. drive torque
Moved external load ²⁾	Max. permissible overhang ³⁾ (mm)				Motor-Power ¹⁾	Moved external load ²⁾	Max. permissible overhang ³⁾ (mm)			
										
$m_{ex \max}$ (kg)	A	B	C	W	$m_{ex \max}$ (kg)	A	C	M_{mech} (Nm)		
6	18	17	117	30	1	120	120	1,1		
8	12	12	84		2	60	60			
10	9	9	64		-	-	-			
8	71	58	250	50 / 100	2	253	253	1,1		
12	44	36	160	100	3,5	144	144			
14	36	29	134							
20	23	18	87	-	-	-	-			
10	95	78	404	100	1	859	859	1,1		
18	47	39	209		3	286	286			
24	32	26	148		5	171	171			
40	82	58	312	200 / 400	8	351	351	2,2		
65	43	30	174	400	15	187	187			
80	31	22	132		21	133	133			
88	27	19	115							
20	110	95	247	200 / 400	3	660	660			
30	68	58	157	400	5	396	396			
40	47	40	112		8	247	247			
30	634	478	2 321	400	10	1 546	1 546	3,1		
50	367	277	1 358		14	1 107	1 107			
88	194	146	736		22	702	702			
15	508	527	847		3	2 220	2 220			
25	296	306	496		5	1 332	1 332			
30	243	251	408		8	832	832			

¹⁾ Motor power for horizontal application and wall mounting

²⁾ Max. permissible payload

³⁾ In the case of a combined overhang, observe the chapter „material numbers/ordering examples“

Dimension drawings



X = reference edge

SMS	A	A ₁	A ₂	A ₃	A ₄	B ₁	B ₂ ^{H7}	B ₃	C ₁	C ₂	C ₃	D _{h7}	d _{h7}	D ₁ ^{H7}	D ₂	E ₂	E ₃	E ₄	G ₁	G ₂	G ₃
-030	30	15.0	42.3	33.5	24	2	2	3.0	4	M3	7.0	19	4	3	3	M3	6	-	3	4	3
-040	44	21.7	42.6	35.0	36	2	3	4.5	4	M4	9.5	32	7	4	5	M4	10	3.4	4	5	5
-050	54	26.7	52.5	42.0	45	2	3	6.0	4	M5	11.0	30	7	5	7	M5	13	4.4	5	7	7
-080	82	40.7	81.0	65.0	68	2	5	8.0	4	M6	13.0	40	10	5	9	M6	15	5.4	5	7	9
-120	120	60.0	118.0	104.0	108	2	6	10.0	8	M6	17.0	40	10	6	7	M8	16	6.8	6	8	7

SMS	H	H ₁	H ₂	L ₁	L ₂	L ₃	L ₄	L ₅	L ₆	L ₇	L ₁₀	L ₁₂	L ₁₃	L ₁₄	L ₁₅ TT total	L _{ca}	L _{ad1}	L _{ad2}
-030	30	17.0	-	8.0	13	8	31	-	23	100	100	18	13.0	1.5	70.2	40	11.9	11.9
-040	52	23.5	21.5	14.0	11	10	40	-	36	100	100	50	24.1	5.0	90.0	50	25.0	25.0
-050	60	27.7	21.5	11.3	13	10	52	-	38	100	100	50	26.3	1.5	116.0	65	12.5	11.5
-080	78	41.5	37.5	13.0	13	15	75	-	38	100	100	80	25.0	3.9	135.0	90	26.5	28.5
-120	76	32.5	39.0	17.9	13	15	60	95	43	100	100	46	19.9	2.0	201.5	110	5.75	3.75

-030	S _{max}	50	100	150	200	300	400	500	-
	L _{total}	165	215	265	315	415	515	615	-
	L ₈	24	74	124	174	274	374	474	-
	L ₁₁	24	74	24	74	74	74	74	-
	N	1	1	2	2	3	4	5	-
	E ₁	6	6	8	8	10	12	14	-

-040	S _{max}	100	200	300	400	500	600	800	1 000
	L _{total}	261	361	461	561	661	761	961	1 161
	L ₈	75	175	275	375	475	575	775	975
	L ₁₁	75	75	75	75	75	75	75	75
	N	1	2	3	4	5	6	8	10
	E ₁	6	8	10	12	14	16	20	24

-050	S _{max}	100	200	300	400	500	600	800	1 000
	L _{total}	263	363	463	563	663	763	963	1 163
	L ₈	75	175	275	375	475	575	775	975
	L ₁₁	75	75	75	75	75	75	75	75
	N	1	2	3	4	5	6	8	10
	E ₁	6	8	10	12	14	16	20	24

-080	S _{max}	100	200	400	600	800	1 000	1 200	-
	L _{total}	318	418	618	818	1 018	1 218	1 418	-
	L ₈	100	200	400	600	800	1 000	1 200	-
	L ₁₁	100	100	100	100	100	100	100	-
	N	1	2	4	6	8	10	12	-
	E ₁	6	8	12	16	20	24	27	-

-120	S _{max}	100	200	400	600	800	1 000	1 200	-
	L _{total}	339	439	639	839	1 039	1 239	1 439	-
	L ₈	150	250	450	650	850	1 050	1 250	-
	L ₁₁	50	50	50	50	50	50	50	-
	N	2	3	5	7	9	11	13	-
	E ₁	8	10	14	18	22	26	30	-

Notes: Dimensions in mm. Diagrams are in different scales.

Exact contours and dimensions can be found in the CAD model.

Material numbers/ordering examples

SMS	Description	Material number
-030	SMS-030-P8-50	R02681C001
	SMS-030-P8-100	R02681C002
	SMS-030-P8-150	R02681C003
	SMS-030-P8-200	R02681C004
	SMS-030-P8-300	R02681C006
	SMS-030-P8-400	R02681C008
	SMS-030-P8-500	R02681C010
-040	SMS-040-P12-100	R02681D002
	SMS-040-P12-200	R02681D004
	SMS-040-P12-300	R02681D006
	SMS-040-P12-400	R02681D008
	SMS-040-P12-500	R02681D010
	SMS-040-P12-600	R02681D012
	SMS-040-P12-800	R02681D016
SMS-040-P12-1000	R02681D020	
-050	SMS-050-P10-100	R02681E002
	SMS-050-P10-200	R02681E004
	SMS-050-P10-300	R02681E006
	SMS-050-P10-400	R02681E008
	SMS-050-P10-500	R02681E010
	SMS-050-P10-600	R02681E012
	SMS-050-P10-800	R02681E016
SMS-050-P10-1000	R02681E020	
-080	SMS-080-P10-100	R02681H002
	SMS-080-P10-200	R02681H004
	SMS-080-P10-400	R02681H008
	SMS-080-P10-600	R02681H012
	SMS-080-P10-800	R02681H016
	SMS-080-P10-1000	R02681H020
	SMS-080-P10-1200	R02681H024
	SMS-080-P20-100	R02681H052
	SMS-080-P20-200	R02681H054
	SMS-080-P20-400	R02681H058
	SMS-080-P20-600	R02681H062
	SMS-080-P20-800	R02681H066
	SMS-080-P20-1000	R02681H070
SMS-080-P20-1200	R02681H074	
-120	SMS-120-P10-100	R02681L002
	SMS-120-P10-200	R02681L004
	SMS-120-P10-400	R02681L008
	SMS-120-P10-600	R02681L012
	SMS-120-P10-800	R02681L016
	SMS-120-P10-1000	R02681L020
	SMS-120-P10-1200	R02681L024
	SMS-120-P32-100	R02681L052
	SMS-120-P32-200	R02681L054
	SMS-120-P32-400	R02681L058
	SMS-120-P32-600	R02681L062
	SMS-120-P32-800	R02681L066
	SMS-120-P32-1000	R02681L070
	SMS-120-P32-1200	R02681L074

Ordering example (freely selected)

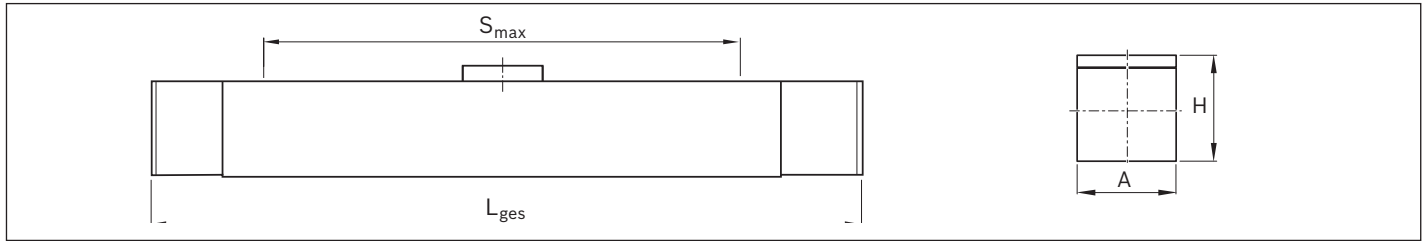
System	= Small Modules	SM	S	-	080	-	P10	-	1200
Drive	= Screw drive (ball screw assembly)								
Size	= 080								
Lead	= P (lead 10 mm)								
Maximum travel range	= s_{max} (maximum travel range 1 200 mm)								

➡ **SMS-080-P10-1200** with material number: R02681H024

Selection example via installation space; given data:

A: up to 50 mm; **H:** up to 55 mm; **L_{total}** < 1000 mm; travel range **S_{max}** from 650 to 700 mm.

On the basis of the given data, the chapter "Product overview" results in the SMS-040 with the description **SMS-040-P12-800** and material number **R02681D016**.



SMS	A	H	Dimensions (mm)									
			S_{max}	L_{total}								
-030	30	30	S_{max}	50	100	150	200	300	400	500	-	
			L_{total}	165	215	265	315	415	515	615	-	
-040	44	52	S_{max}	100	200	300	400	500	600	800	1 000	
			L_{total}	261	361	461	561	661	761	961	1 161	
-050	54	60	S_{max}	100	200	300	400	500	600	800	1 000	
			L_{total}	263	363	463	563	663	763	963	1 163	
-080	82	78	S_{max}	100	200	400	600	800	1 000	1 200	-	
			L_{total}	318	418	618	818	1 018	1 218	1 418	-	
-120	120	76	S_{max}	100	200	400	600	800	1 000	1 200	-	
			L_{total}	339	439	639	839	1 039	1 239	1 439	-	

Selection example via dynamic specifications; given data:

Horizontal application; payload **m_{ex}** = 14 kg (fastened at the carriage);

Load center of gravity **A** = 60 mm, **B** = 15 mm, **C** = 0 mm; travel range **s_{max}** = 500 mm;

On the basis of the given data, the chapter "Technical Data" results in the SMS-040 with the description **SMS-040-P12-500** and material number **R02681D010**.

Size	Max. travel range	Max. speed	Weight	Max. acceleration	BASA lead	Horizontal application				
						Moved external load ¹⁾	Max. permissible overhang (mm)			
	s_{max} (mm)	v_{max} (m/s)	(kg)	a_{max} (m/s ²)	P (mm)	$m_{ex,max}$ (kg)	A	B	C	
-030	50	0.48	0.220	1,5	8	6	117	17	18	
	100	0.48	0.270				8	84	12	12
	150	0.48	0.330				10	64	9	9
	200	0.43	0.370							
	300	0.32	0.480							
	400	0.24	0.600							
-040	500	0.16	0.719	3,6	12	8	250	58	71	
	100	0.72	1.000				14	134	29	36
	200	0.72	1.350				20	87	18	23
	300	0.72	1.710							
	400	0.72	2.070							
	500	0.66	2.430							
	600	0.54	2.790							
	800	0.30	3.510							
	1 000	0.20	4.240							

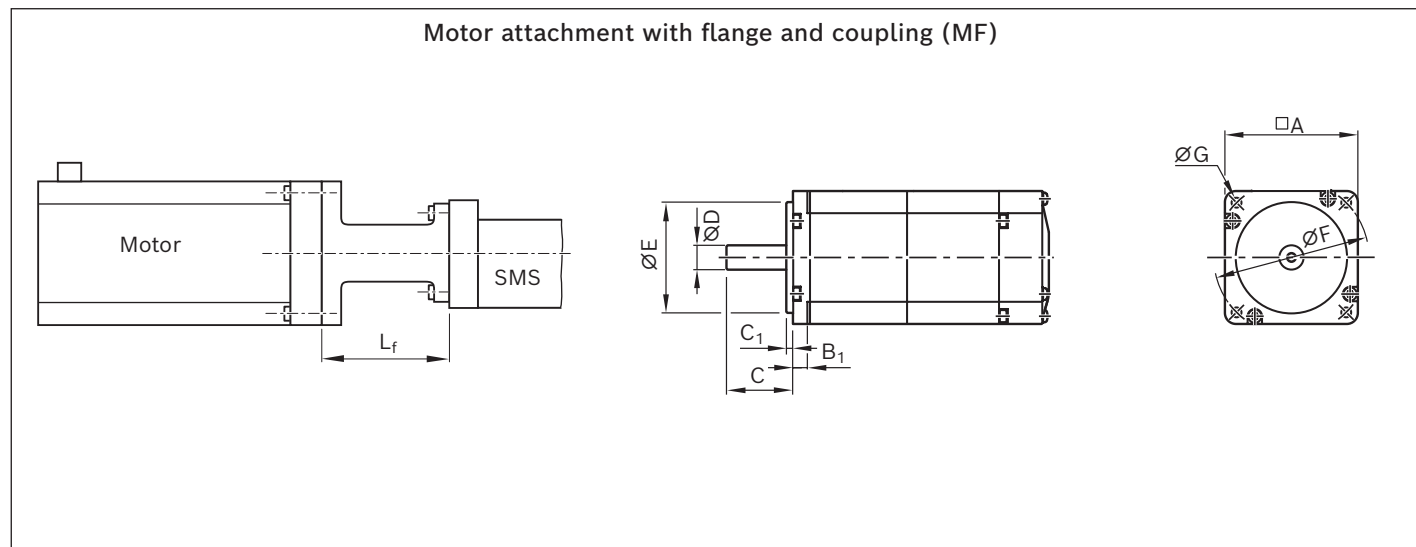
Verifying the given speed data with the catalog data:

$$\frac{A_{actual}}{A_{Catalog}} + \frac{B_{actual}}{B_{Catalog}} + \frac{C_{actual}}{C_{Catalog}} \leq 1 \quad \frac{60}{134} + \frac{15}{29} + \frac{0}{36} = 0.97 \leq 1$$

The check results in a sum value of less than 1. So the overhang from the application is possible.

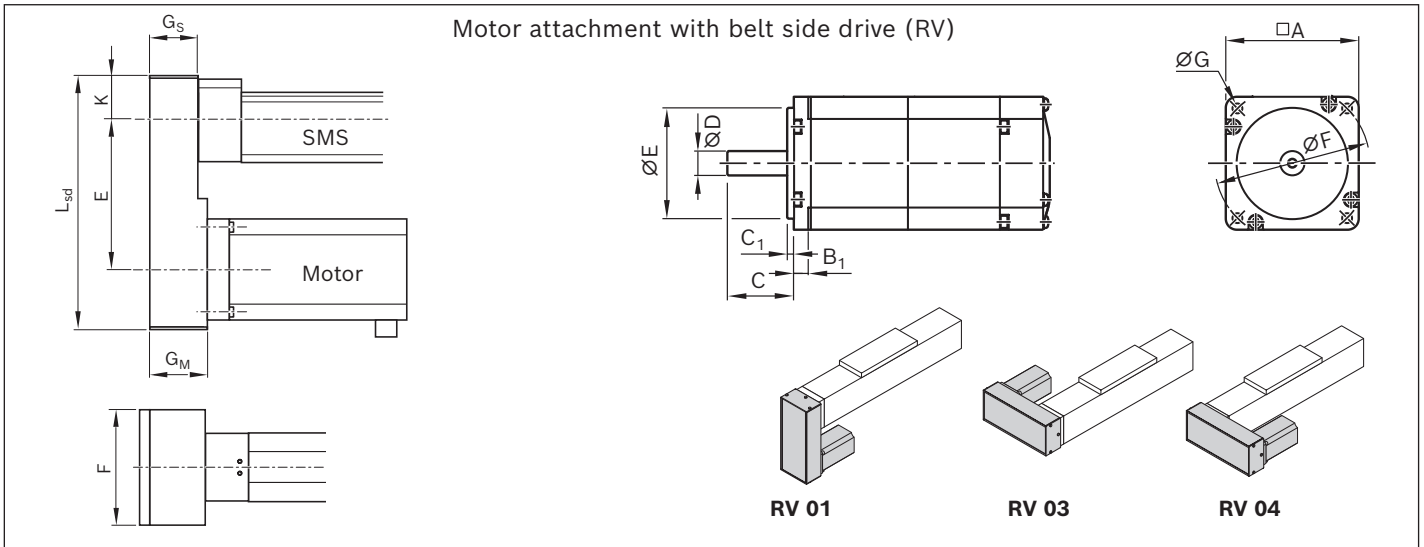
Accessories

Motor attachment dimension drawings



SMS	L_f (mm)
-030	33.0
-040	53.0
-050	57.5
-080	60.0
-120	55.0

SMS	Motor attachment		Weight (kg)	Motor Rexroth	Suitable third-party motor	Dimensions (mm)							
	Material number					$\square A$	B_1	C	C_1	$\varnothing D$	$\varnothing E$	$\varnothing F$	$\varnothing G$
-030	MF	R02680A001	0.026	-	Mitsubishi HG-AK0336 (30W) Yaskawa SGMMV-A3A2A2(1/C) (30W)	25	5.4	16	2.5	5	20	28	M3
-040	MF	R02680A002	0.129	-	Mitsubishi HG-KR053(B) (50W) Yaskawa SGMJV-A5AAA2(1/C) (50W) Delta ECMA-C1040F(E/F)S (50W) Mitsubishi HG-KR13(B) (100W) Yaskawa SGMJV-01AAA2(1/C) (100W) Delta ECMA-C20401(E/F) (100W)	40	5.0	25	2.5	8	30	46	4.5
-040	MF	R02680A006		MSM 019 A/B	Panasonic MSMD5A2G1U/V (50W) Panasonic MSMD012G1U/V (100W)	38	6.0	25	3.0	8	30	45	3.4
-050	MF	R02680A003	0.224	-	Mitsubishi HG-KR13(B) (100W) Yaskawa SGMJV-01AAA2(1/C) (100W) Delta ECMA-C20401(E/F) (100W)	40	5.0	25	2.5	8	30	46	4.5
-050	MF	R02680A007		MSM 019 A/B	Panasonic MSMD012G1U/V (100W)	38	6.0	25	3.0	8	30	45	3.4
-080	MF	R02680A004	0.418	-	Mitsubishi HG-KR23(B) (200W) Yaskawa SGMJV-02AAA2(1/C) (200W) Delta ECMA-C20602F(E/F)S (200W) Mitsubishi HR-KR43(B) (400W) Yaskawa SGMJV-04AAA2(1/C) (400W) Delta ECMA-C20604F(E/F)S (400W)	60	7.0	30	3.0	14	50	70	5.8
-080	MF	R02680A008		MSM 031B	Panasonic MHMD022G1U/V (200W)	60	6.5	30	3.0	11	50	70	4.5
-080	MF	R02680A009		MSM 031C	Panasonic MHMD042G1U/V (400W)	60	6.5	30	3.0	14	50	70	4.5
-120	MF	R02680A005	0.384	-	Mitsubishi HR-KR43(B) (400W) Yaskawa SGMJV-04AAA2(1/C) (400W) Delta ECMA-C20604F(E/F)S (400W)	60	7.0	30	3.0	14	50	70	5.8
-120	MF	R02680A010		MSM 031C	Panasonic MHMD042G1U/V (400W)	60	6.5	30	3.0	14	50	70	4.5

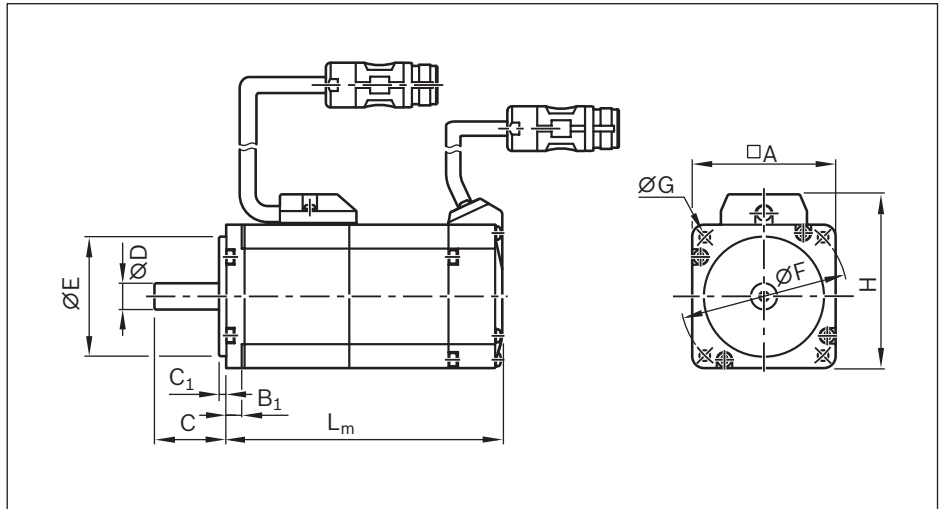


SMS	RV	Dimensions (mm)						
		E	F	G _S	G _M	K	L _{sd}	
-030	RV01/03/04	40	30	18.0	20.0	14.50	79.50	
-040	RV01/03/04	53	43	35.0	35.0	21.50	98.50	
-050	RV01/03/04	58	52	37.0	35.0	25.00	105.00	
-080	RV01/03/04	80	62	46.5	46.5	31.00	146.00	
-120	RV01	80	62	41.5	47.0	31.00	146.00	
	RV03/04	100	62	31.5	37.0	46.75	181.75	

SMS	Motor attachment ¹⁾		Weight (kg)	Motor		Dimensions (mm)							
	Material number			Rexroth	Suitable third-party motor	□A	B ₁	C	C ₁	ØD	ØE	ØF	ØG
-030	RV01	R02680B002	0.056	-	Mitsubishi HG-AK0336 (30W) Yaskawa SGMJV-A3A2A2(1/C) (30W)	25	5.4	16	2.5	5	20	28	M3
-030	RV03/04	R02680B001		-	Mitsubishi HG-AK0336 (30W) Yaskawa SGMJV-A3A2A2(1/C) (30W)	25	5.4	16	2.5	5	20	28	M3
-040	RV01/03/04	R02680B003	0.216	-	Mitsubishi HG-KR053(B) (50W) Yaskawa SGMJV-A5AAA2(1/C) (50W) Delta ECMA-C1040F(E/F)S (50W) Mitsubishi HG-KR13(B) (100W) Yaskawa SGMJV-01AAA2(1/C) (100W) Delta ECMA-C20401(E/F) (100W)	40	5	25	2.5	8	30	46	4.5
-040	RV01/03/04	R02680B008		MSM 019 A/B	Panasonic MSMD5A2G1U/V (50W) Panasonic MSMD012G1U/V (100W)	38	6.0	25	3.0	8	30	45	3.4
-050	RV01/03/04	R02680B004	0.269	-	Mitsubishi HG-KR13(B) (100W) Yaskawa SGMJV-01AAA2(1/C) (100W) Delta ECMA-C20401(E/F) (100W)	40	5.0	25	2.5	8	30	46	4.5
-050	RV01/03/04	R02680B009		MSM 019 A/B	Panasonic MSMD012G1U/V (100W)	38	6.0	25	3.0	8	30	45	3.4
-080	RV01/03/04	R02680B005	0.600	-	Mitsubishi HG-KR23(B) (200W) Yaskawa SGMJV-02AAA2(1/C) (200W) Delta ECMA-C20602F(E/F)S (200W) Mitsubishi HR-KR43(B) (400W) Yaskawa SGMJV-04AAA2(1/C) (400W) Delta ECMA-C20604F(E/F)S (400W)	60	7.0	30	3.0	14	50	70	5.8
-080	RV01/03/04	R02680B010		MSM 031B	Panasonic MHMD022G1U/V (200W)	60	6.5	30	3.0	11	50	70	4.5
-080	RV01/03/04	R02680B011		MSM 031C	Panasonic MHMD042G1U/V (400W)	60	6.5	30	3.0	14	50	70	4.5
-120	RV01	R02680B007	0.635	-	Mitsubishi HR-KR43(B) (400W) Yaskawa SGMJV-04AAA2(1/C) (400W) Delta ECMA-C20604F(E/F)S (400W)	60	7.0	30	3.0	14	50	70	5.8
-120	RV03/04	R02680B006	0.662	-	Mitsubishi HR-KR43(B) (400W) Yaskawa SGMJV-04AAA2(1/C) (400W) Delta ECMA-C20604F(E/F)S (400W)	60	7.0	30	3.0	14	50	70	5.8
-120	RV01	R02680B013	0.635	MSM 031C	Panasonic MHMD042G1U/V (400W)	60	6.5	30	3.0	14	50	70	4.5
-120	RV03/04	R02680B012	0.662	MSM 031C	Panasonic MHMD042G1U/V (400W)	60	6.5	30	3.0	14	50	70	4.5

1) gear ratio i = 1

IndraDyn S - Servo motors MSM



Motor code	Dimensions (mm)											
	□ A	B ₁	C	C ₁	Ø D	Ø E	Ø F	Ø G	H	Brake		L _m
										without	with	
MSM 019A-0 300	38	6.0	25	3	h6 8	h7 30	45	3.4	51	72.0	102.0	
MSM 019B-0 300	38	6.0	25	3	8	30	45	3.4	51	92.0	122.0	
MSM 031B-0 300	60	6.5	30	3	11	50	70	4.5	73	79.0	115.5	
MSM 031C-0 300	60	6.5	30	3	14	50	70	4.5	73	98.5	135.0	

Version

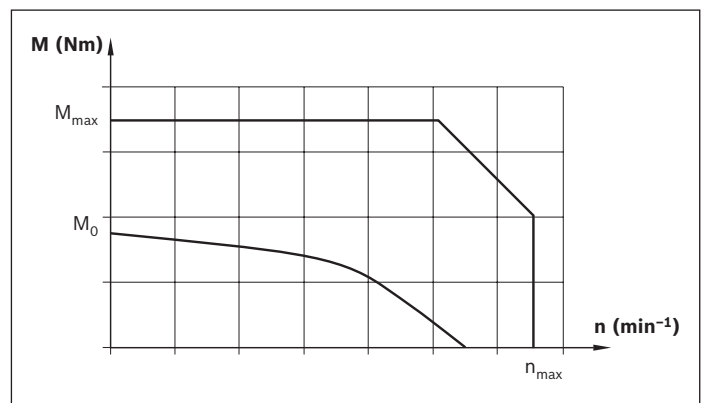
- ▶ Plain shaft without shaft seal
- ▶ M5 multi-turn absolute encoder (20-bit, absolute encoder function only available with backup battery)
- ▶ Cooling system: natural convection
- ▶ IP54 protection class (shaft IP40)
- ▶ With or without holding brake
- ▶ M17 metal round connector

Note

- Motors are available with control units and controllers. For more information on motors, controllers and control systems, please refer to the following Rexroth catalogs:
- ▶ Drive system Rexroth IndraDrive R999000018
 - ▶ Automation Systems and Control Components, R999000026

Motor data									Motor connection Cables	Holding brake	Type code	Material number
n_{max} (min^{-1})	M_0 (Nm)	M_{max} (Nm)	M_{br} (Nm)	J_m (kgm^2)	J_{br} (kgm^2)	m_m (kg)	m_{br} (kg)					
5 000	0.16	0.48	0.29	0.0000025	0.0000002	0.32	0.21	2	N	MSM 019A-0 300-NN-M5-MH0	R911344209	
									Y	MSM 019A-0 300-NN-M5-MH1	R911344210	
5 000	0.32	0.95	0.29	0.0000051	0.0000002	0.47	0.21	2	N	MSM 019B-0 300-NN-M5-MH0	R911344211	
									Y	MSM 019B-0 300-NN-M5-MH1	R911344212	
5 000	0.64	1.91	1.27	0.0000140	0.0000018	0.82	0.48	2	N	MSM 031B-0 300-NN-M5-MH0	R911344213	
									Y	MSM 031B-0 300-NN-M5-MH1	R911344214	
5 000	1.30	3.80	1.27	0.0000260	0.0000018	1.20	0.50	2	N	MSM 031C-0 300-NN-M5-MH0	R911344215	
									Y	MSM 031C-0 300-NN-M5-MH1	R911344216	

Motor characteristic
(Schematic)



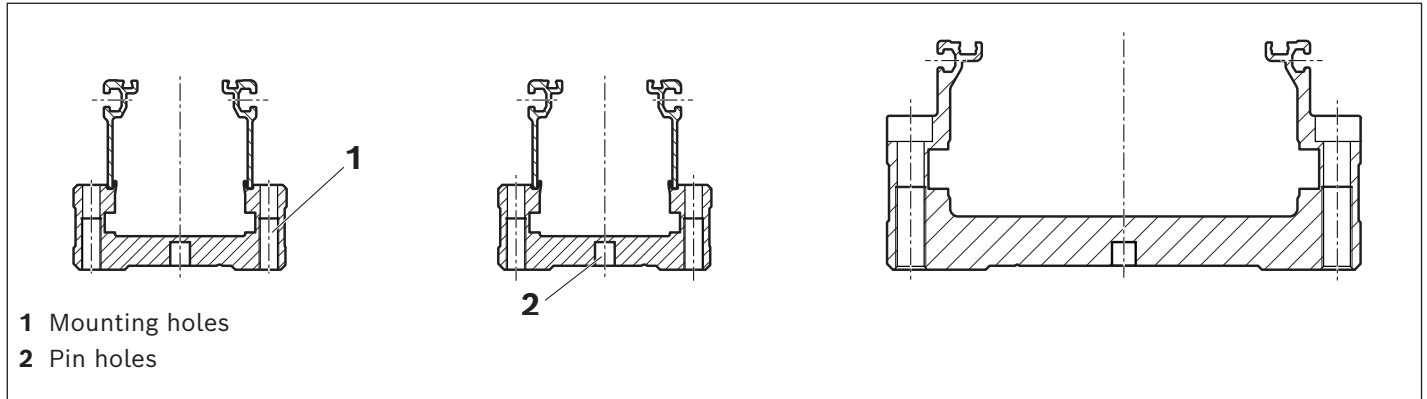
Additional information

Mounting / switch mounting / operating conditions / lubrication / online information

Mounting

- SMS-030 from below
- SMS-040 to SMS-120 either from above or below

For further information, please refer to dimension drawings

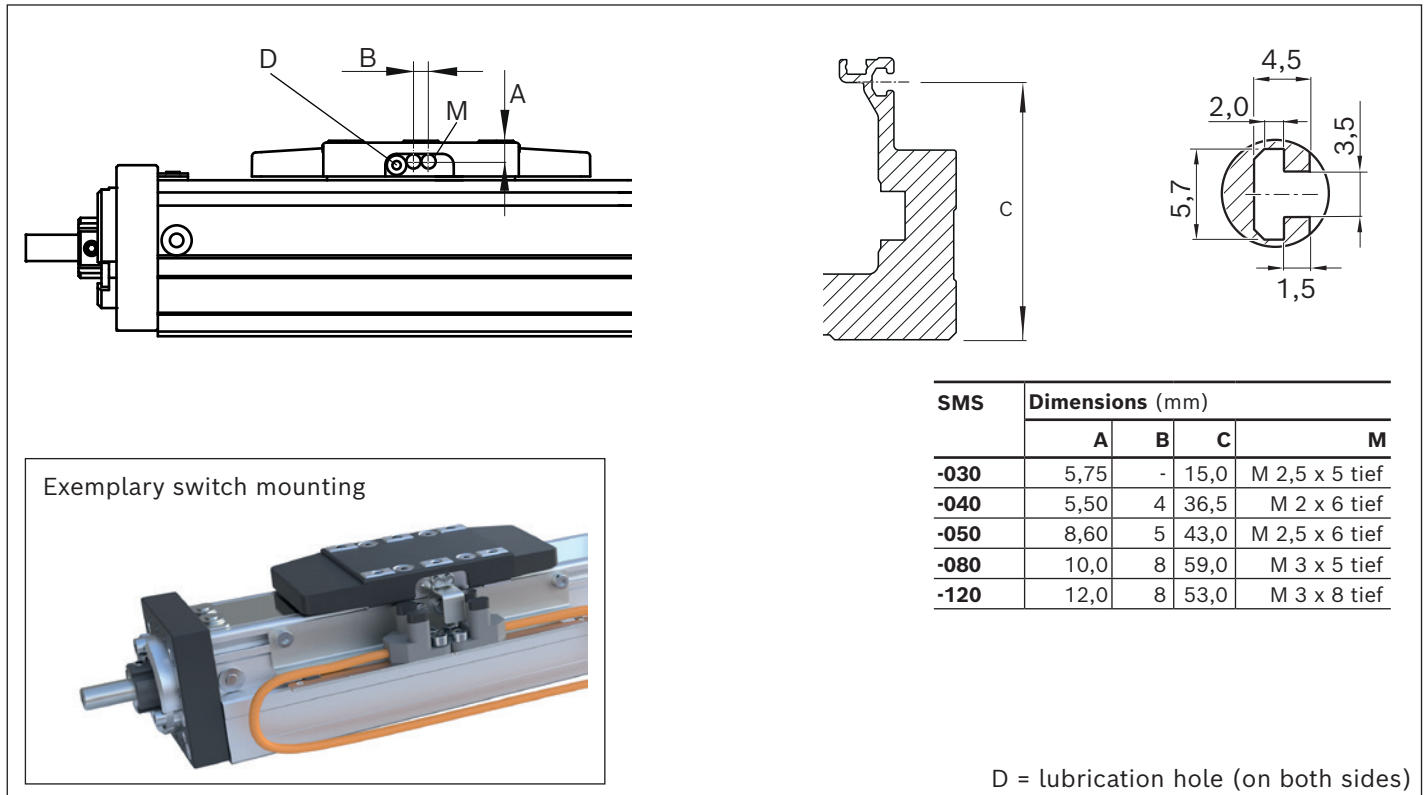


Switch mounting

At SMS axes, it is possible to add a switching system.

There are threaded holes on both sides of the carriage for attaching a switching bracket.

There are T-slots on both sides of the main frame for mounting the switch, suitable for square nuts DIN 562-M3.



Operating conditions

Normal operating conditions

Ambient temperature	0 °C ... 40 °C
Soiling	Not permissible

Required and supplementary documentation

For further instructions and information, please refer to the documentation for this product.

PDF files of these documents can be found on the Internet.

If you are unsure about using this product, please contact Bosch Rexroth.

Lubrication


Note on lubrication

SMS systems come with initial Tribol GR 100-2 PD greasing and are only designed for grease lubrication using a manual grease gun.

Maintenance is limited to relubrication of the integrated guideway and the ball screw drive.

⚠ Do not use lubricants with solid particles (e.g. graphite or MoS₂ additives).

► Recommended lubricant: Tribol GR 100-2 PD

Relubrication intervals/relubrication quantities  "Instructions SMS" R320103227

Online information

Homepage SMS

www.boschrexroth.com/small-modules



Linear axes Small Modules
 Small dimensions, great performance
 ORDER NOW!

Linear modules Small Modules Screw Driven:
 Easily ordered, quick to use,
 plenty of savings

Bosch Rexroth AG

Ernst-Sachs-Straße 100
97424 Schweinfurt, Germany
Tel. +49 9721 937-0
Fax +49 9721 937-275
www.boschrexroth.com

Find your local contact person here:

www.boschrexroth.com/contact

The data specified above only serves to describe the product. Due to the continuing development of our products, no statements concerning a certain condition or suitability for a certain application can be derived from our information. The information given does not release the user from the obligation of their own judgment and verification. Please note that our products are subject to a natural process of wear and aging.