

# 175mm Plastic Backward Centrifugal Fan

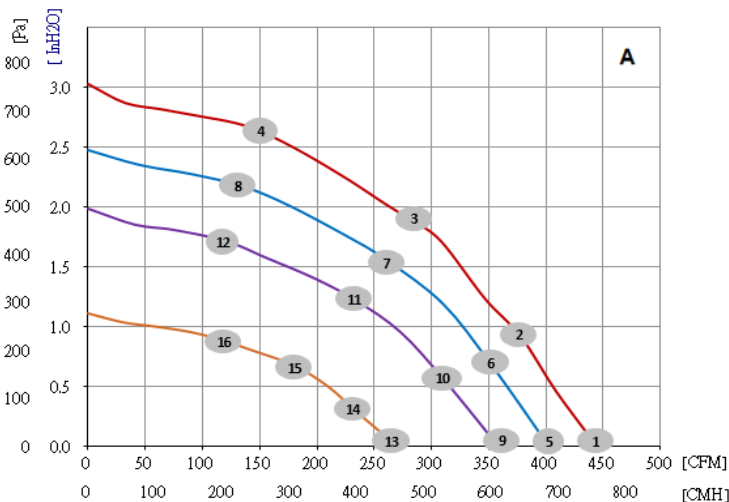
## Specification:

- Material: Impeller: Plastic  
Rotor: Zinc Plating Steel  
Electronics housing: Die-cast aluminium
- Number of blades: 7
- Direction of rotation: Clockwise viewed toward rotor
- Insulation class: "B"
- Installation position: Any
- Degree of protection: IP54
- Condensation drainage holes: None
- Mode: Continuous operation (S1)
- Mounting: Maintenance-free ball bearings
- Technical features: Controller input PWM or PWM/0-10V
- Cable exit: Variable
- Protection class: I (with customer connection of protective earth)
- Conformity with standards: EN 60335-1
- Weight: 1.3KG



## Performance:

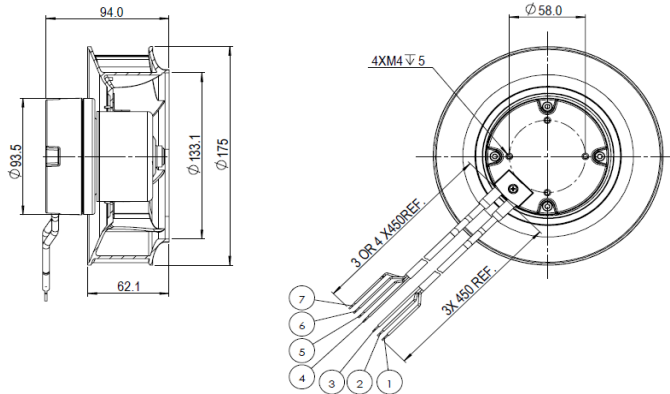
Nominal data	Platform	Curve	Nominal voltage range	Frequency	Speed*	Max input power*	Max input current*	Operating ambient temp	Life time	PWM	PWM/0-10V
Type	Motor		VAC	Hz	rpm	W	A	°C	Hr		
ECO175CB235072110	OD72	A	230	50 / 60	4470	130	1.05	-20 to +60	40,000	●	
ECO175CB235072210											●
ECO175CB235072112										●	
ECO175CB235072212											●



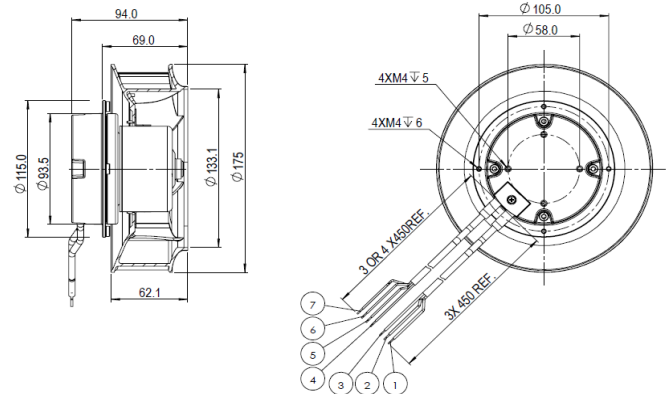
n (rpm)	P1 (W)	I (A)	η (%)	P (Pa)	P (InH <sub>2</sub> O)	Q (CMH)	Q (CFM)	
①	4520	116	0.91	—	0	753	443	
②	4480	138	1.05	29.4	228	0.91	642	378
③	4470	136	1.05	45.8	470	1.89	480	282
④	4510	131	1.01	36.0	652	2.62	261	154
⑤	4110	90	0.74	—	0	0	684	403
⑥	4110	104	0.83	27.1	170	0.68	599	353
⑦	4110	106	0.85	45.0	389	1.56	442	260
⑧	4110	100	0.81	34.4	542	2.18	229	135
⑨	3660	66	0.56	—	0	0	609	359
⑩	3660	77	0.64	26.3	137	0.55	529	312
⑪	3660	77	0.64	43.5	302	1.21	399	235
⑫	3660	73	0.61	33.2	427	1.71	205	121
⑬	2760	32	0.3	—	0	0	457	269
⑭	2760	36	0.33	22.1	73	0.29	397	234
⑮	2760	37	0.34	38.8	168	0.68	306	180
⑯	2760	35	0.33	29.1	237	0.95	155	92

# 175mm Plastic Backward Centrifugal Fan

## Drawing:

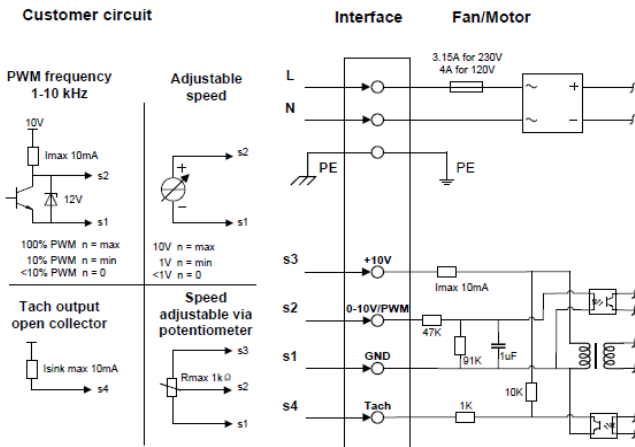


Back installation



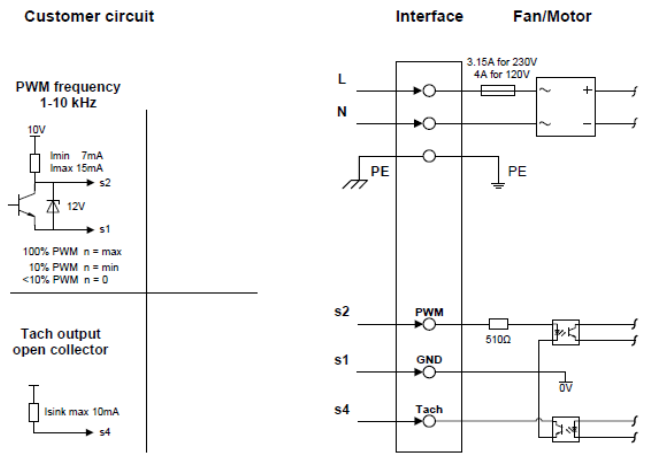
Back & Flange installation

## Diagram:



No.	DESIGNATION	COLOR	ASSIGNMENT
1	L	BROWN	POWER SUPPLY
2	N	BLUE	NEUTRAL
3	PE	GREEN/YELLOW	GROUND CONNECTION
4	GND	BLACK	GND CONNECTION FOR CONTROL INTERFACE, SELV
5	PWM0-10V	YELLOW	CONTROL INPUT PWM0-10V, SELV
6	TACH	WHITE	TACH OUT, SELV
7	+10V	RED	VOLTAGE OUTPUT 10 VDC, SELV

PWM0-10V



NO.	DESIGNATION	COLOR	ASSIGNMENT
1	L	BROWN	POWER SUPPLY
2	N	BLUE	NEUTRAL
3	PE	GREEN/YELLOW	PROTECTIVE EARTH
4	GND	BLACK	GND CONNECTION FOR CONTROL INTERFACE, SELV
5	PWM	YELLOW	CONTROL INPUT PWM, SELV
6	TACHO	WHITE	TACHO OUT, SELV

PWM