

190mm Plastic Backward Centrifugal Fan

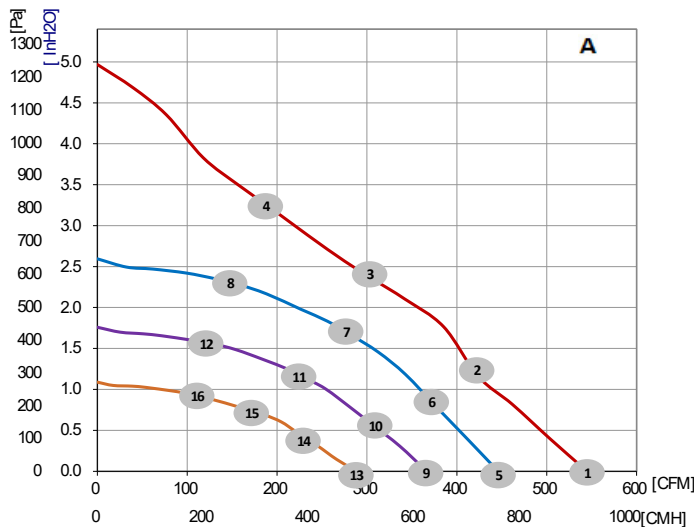
Characteristics:

- Material:**
 - Impeller: Plastic
 - Rotor: Zinc Plating Steel
 - Electronics housing: Die-cast aluminium
- Number of blades:** 7
- Direction of rotation:** Clockwise viewed toward rotor
- Insulation class:** "B"
- Installation position:** Any
- Degree of protection:** IP54
- Condensation drainage holes:** None
- Mode:** Continuous operation (S1)
- Mounting:** Maintenance-free ball bearings
- Technical features:** Controller input PWM or PWM/0-10V
- Cable exit:** Variable
- Protection class:** I (with customer connection of protective earth)
- Conformity with standards:** EN 60335-1
- Weight:** 1.5KG



Performance:

Nominal data	Platform	Curve	Nominal voltage range	Frequency	Speed*	Max input power*	Max input current*	Operating ambient temp	Life time	PWM	PWM/0-10V
Type	Motor		VAC	Hz	rpm	W	A	°C	Hr		
ECO190CB235072220	OD72	A	230	50 / 60	4100	170	1.34	-20 to +60	40,000		●



	n (rpm)	P1 (W)	I (A)	η (%)	P (Pa)	P (InH ₂ O)	Q (CMH)	Q (CFM)
①	4340	174	1.33	—	0	0	922	543
②	4070	175	1.34	32.9	289	1.16	719	424
③	4100	175	1.34	48.0	583	2.34	521	307
④	4220	177	1.34	41.0	802	3.22	326	192
⑤	3600	104	0.84	—	0	0	756	445
⑥	3600	120	0.95	28.9	194	0.78	641	378
⑦	3600	120	0.95	45.9	417	1.67	477	281
⑧	3600	109	0.87	38.2	569	2.29	265	156
⑨	2990	64	0.53	—	0	0	622	366
⑩	2990	74	0.6	27.8	142	0.57	520	306
⑪	2990	72	0.59	42.7	284	1.14	391	230
⑫	2990	67	0.55	35.1	388	1.56	219	129
⑬	2350	36	0.32	—	0	0	490	288
⑭	2350	40	0.35	22.9	79	0.32	415	244
⑮	2350	40	0.35	37.4	172	0.69	316	186
⑯	2350	38	0.33	32.8	226	0.91	199	117

190mm Plastic Backward Centrifugal Fan

Drawing:

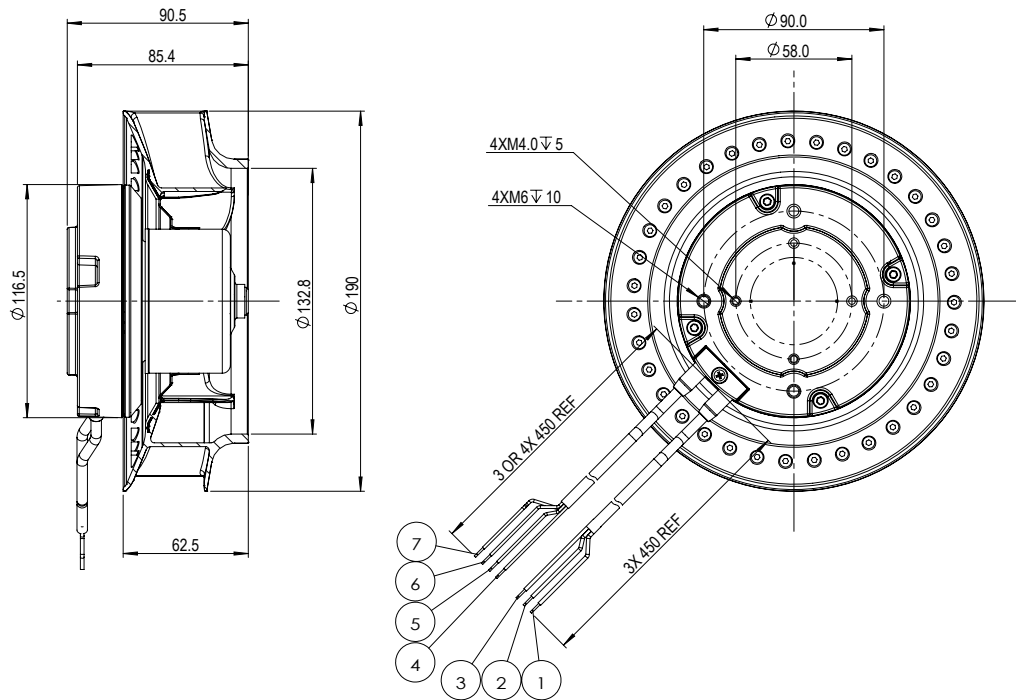
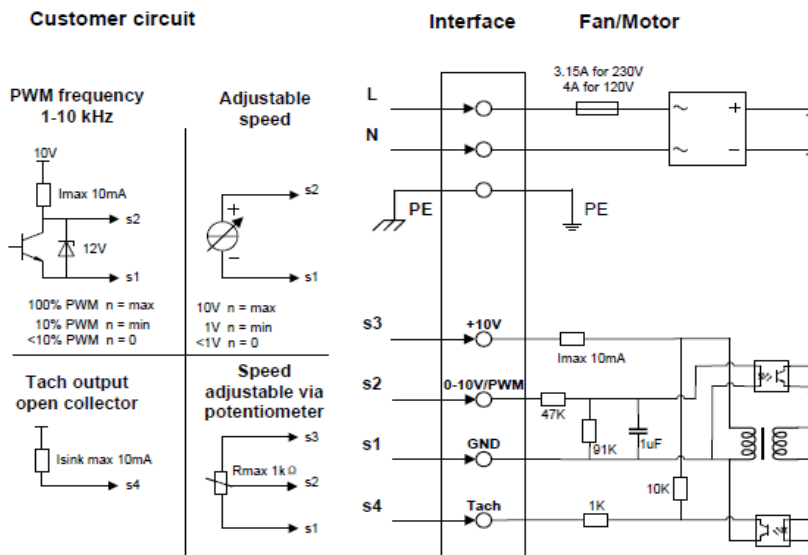


Diagram:



No.	DESIGNATION	COLOR	ASSIGNMENT
1	L	BROWN	POWER SUPPLY
2	N	BULE	NEUTRAL
3	PE	GREEN/YELLOW	GROUND CONNECTION
4	GND	BLACK	GND CONNECTION FOR CONTROL INTERFACE, SELV
5	PWM/0-10V	YELLOW	CONTROL INPUT PWM/0-10V, SELV
6	TACH	WHITE	TACH OUT, SELV
7	+10V	RED	VOLTAGE OUTPUT 10 VDC, SELV

PWM/0-10V