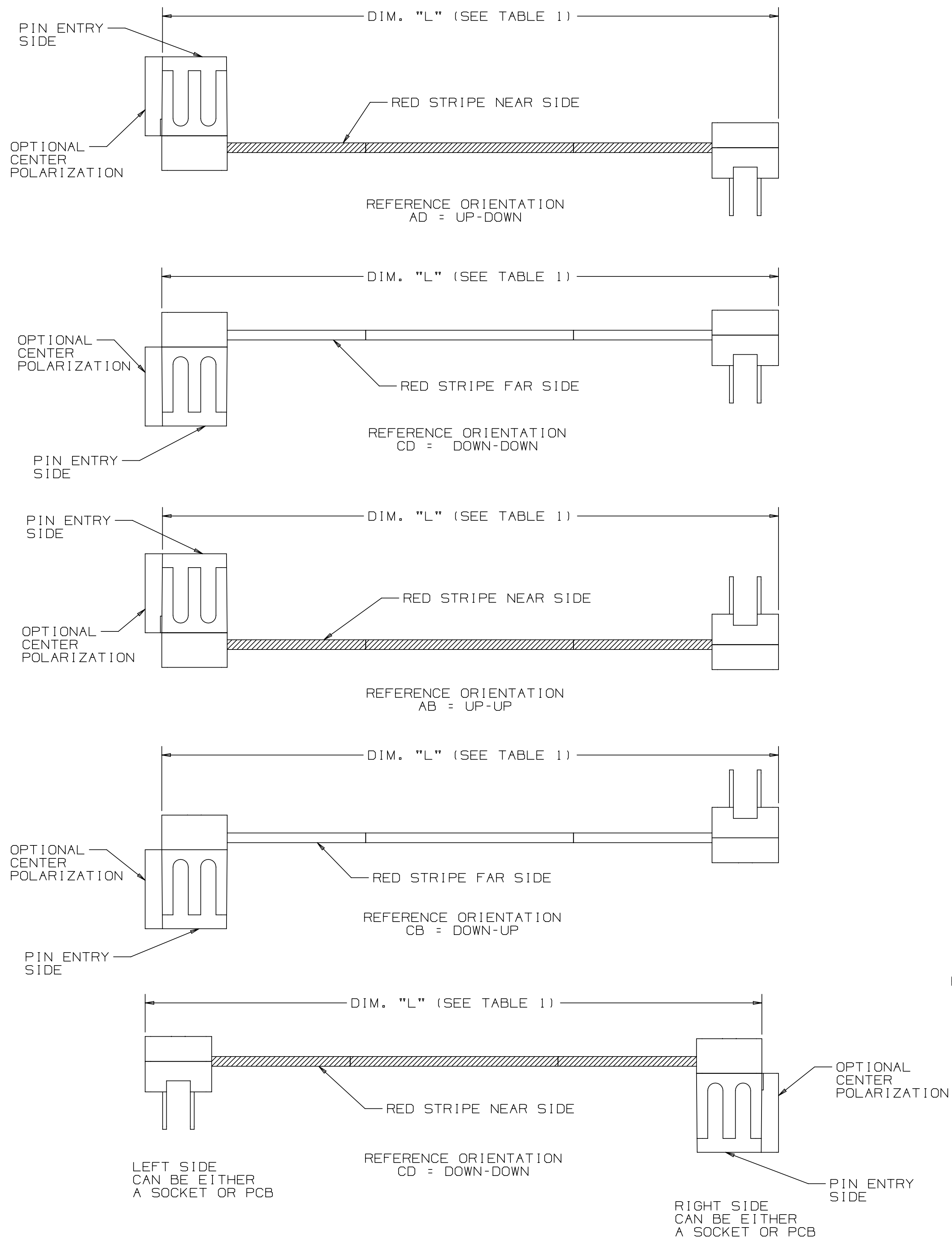


3M™ MOLDED ASSEMBLY, 1M SERIES
 .100" X .100" FOR .050" PITCH CABLE, CABLE ASSEMBLY CONNECTOR



MOLDED SOCKET:

- * PART OF COMPLETE CABLE ASSEMBLY
- * MATES WITH INDUSTRY STANDARD .025" SQUARE CONTACTS ON .100" BY .100" CENTERS
- * ONE PIECE, MOLDED-ON CONSTRUCTION WITH INTEGRAL STRAIN RELIEF
- * HIGH AND LOW PROFILES AVAILABLE, BOTH ACCOMMODATE TYPICAL HEADER LATCHES (SHORT AND LONG)
- * SLOTTED ENDS ALLOW MATING TO CONTINUOUS ROW HEADERS
- * INDUSTRY STANDARD POLARIZATION
- * MOLDED-ON POLARITY KEYS AVAILABLE ON SELECTED CONNECTOR SIZES
- * CLOSED END CONSTRUCTION
- * MODULAR TOOLING ALLOWS CUSTOMIZED DESIGNS

MOLDED PCB:

- * PART OF COMPLETE CABLE ASSEMBLY
- * MATES WITH INDUSTRY STANDARD .100 INCH X .100 INCH BOARD PATTERN
- * ONE PIECE, MOLDED-ON CONSTRUCTION WITH INTEGRAL STRAIN RELIEF
- * STANDARD AND RETENTION CONTACTS AVAILABLE
- * LOW PROFILE PERMITS CLOSE PC BOARD SPACING
- * CLOSED END CONSTRUCTION

2 PHYSICAL:

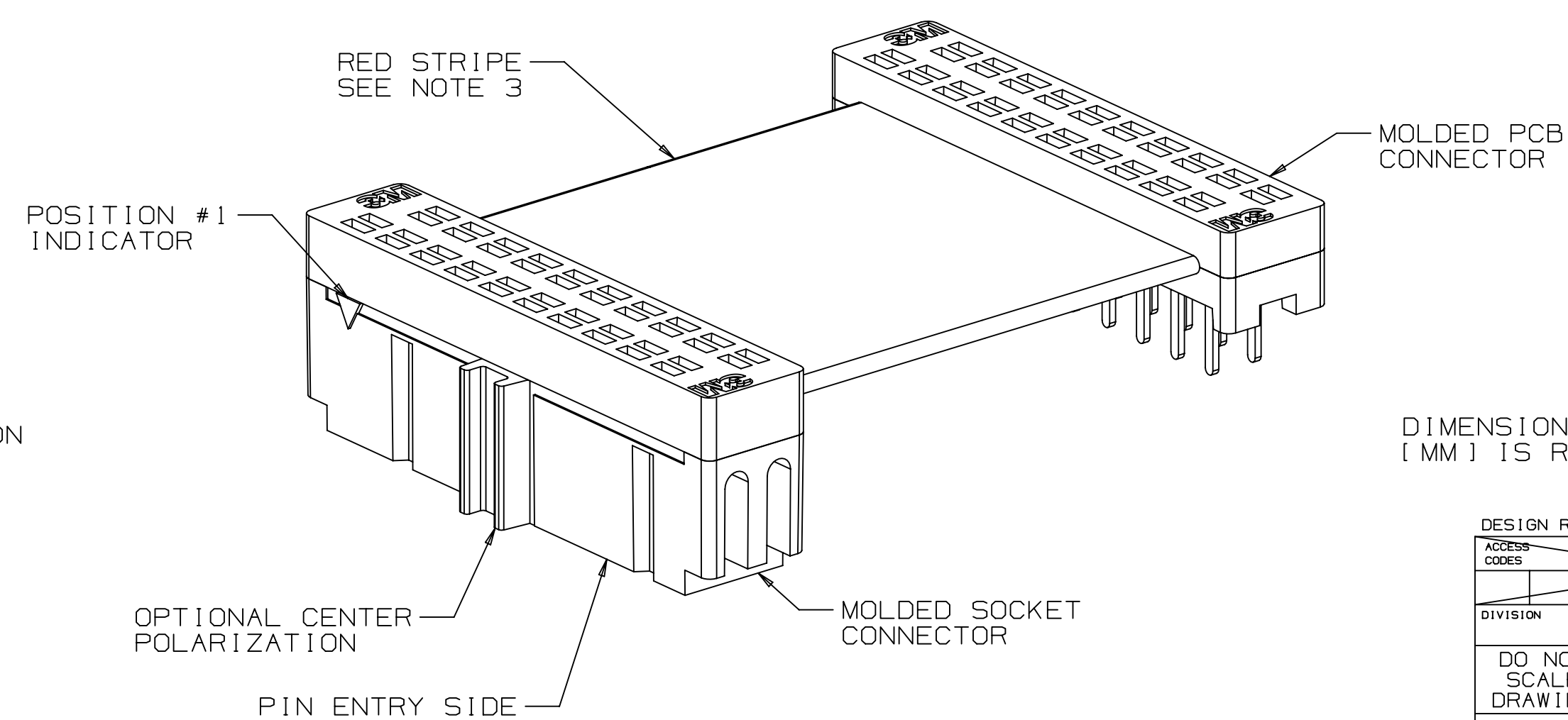
- INSULATOR: GLASS FILLED POLYESTER (PBT)
 MATERIAL: UL94V-0
 FLAMMABILITY: GREY
 COLOR: COPPER ALLOY
 CONTACT: COPPER ALLOY
- PLATING SOCKET:
 UNDERPLATING & U-SLOT: 50 - 150 μ" [1.27 - 3.81 μm] NICKEL
 WIPING AREA: 30 μ" [0.76 μm] GOLD AVG
- PLATING PCB:
 UNDERPLATING & U-SLOT: 50 - 150 μ" [1.27 - 3.81 μm] NICKEL
 CONTACT TAIL: 300-400 μ" [7.62-10.16 μm] MATTE TIN
- WIRE ACCOMMODATION: 26 AND 28 AWG SOLID AND STRANDED
 COVER/STRAIN RELIEF RETENTION: 5N MIN PER CONTACT
- MARKINGS: 3M LOGO AND ORIENTATION TRIANGLE (SOCKET ONLY)

2 ELECTRICAL:

- CURRENT RATING: 1A
 INSULATION RESISTANCE: >1X10⁹Ω AT 500V_{DC}
 WITHSTANDING VOLTAGE: 1000V_{RMS} AT SEA LEVEL
 VOLTAGE RATING: 30V

2 ENVIRONMENTAL:

- TEMPERATURE RATING: -55C TO 105°C
 NOTE: THE TEMPERATURE RANGE CAN BE LIMITED BY THE SELECTED CABLE.



VIEW SHOWN FOR REFERENCE ONLY
 (ORIENTATION CD, DOWN-DOWN)

DIMENSIONS: INCHES [MM]
 [MM] IS REFERENCE ONLY

DESIGN REFERENCE	NEXT ASSEMBLY
DO NOT SCALE DRAWING	SCALE 4/1
THIRD ANGLE PROJECTION	TOLERANCES EXCEPT AS NOTED
INTERPRET PER ASME Y14.5 - 2018	INCHES: .00 ± .01, .000 ± .005, .0000 ± .0002
MAX SURFACE ROUGHNESS	MILLIMETERS: 0 ±, .0 ±, .00 ±
MARKED SURFACES	ANGLES: ±

NOTES	
1	REGULATORY INFORMATION: VISIT 3M.com/regs
2	IN THE EVENT OF CONFLICT BETWEEN THIS DATA AND THAT CONTAINED IN THE PRODUCT SPECIFICATION, THE PRODUCT SPECIFICATION TAKES PRECEDENT.
3	CABLE RED STRIPE CAN BE EITHER NEAR SIDE OR FAR SIDE, DEPENDING ON THE ORIENTATION OF THE SOCKET POSITION 1 INDICATOR.

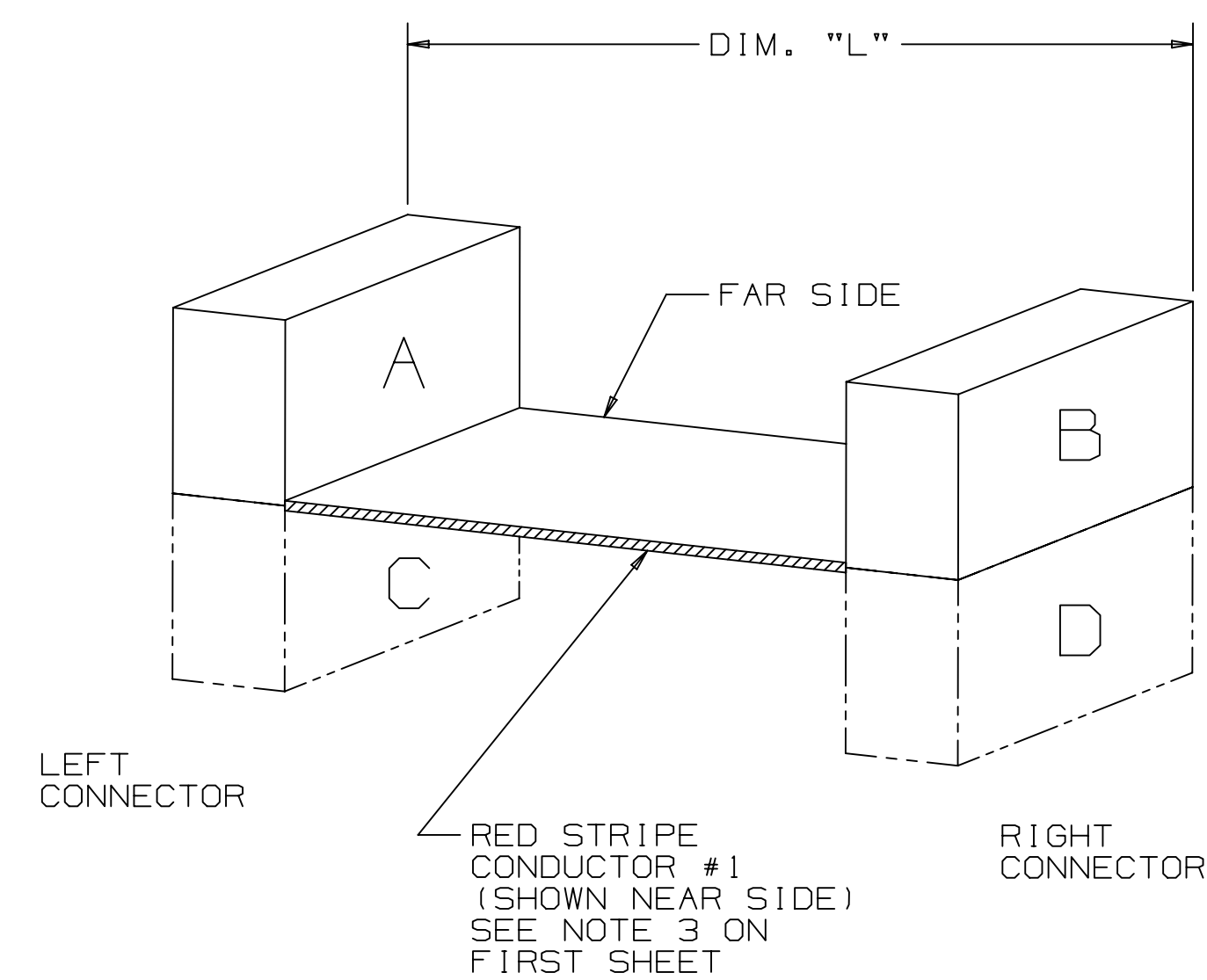
3M ELECTRONICS MATERIALS SOLUTIONS DIVISION
 INTERCONNECT SOLUTIONS
<http://www.3M.com/interconnect>

3M IS A TRADEMARK OF 3M COMPANY.
 FOR TECHNICAL, SALES OR ORDERING
 INFORMATION CALL 800-225-5373

UL **us**
 UL FILE NO: E86982

B	108514	JAN 19, 2023	JNC	JC
A	0104943	MAY 27, 2022	LDS	JG
REV	ECO	ISSUE DATE AND DESCRIPTION	DRFT	CHKD
DRFT	L. SCHMIDT	MAR 04, 2022	MFG	DATE
CHKD	J. GOERTZ	APR 29, 2022	APPL	DATE
DIVISION		DIVISION CODE		
© 3M COPYRIGT 2023 This document and the information it contains are 3M property and may not be reproduced or further distributed without 3M permission, or used or disclosed other than for 3M authorized purposes. All rights reserved.				
TITLE: MOLDED CABLE ASSY .100 WITH SOCKET AND PCB CONNECTORS				
CAGE NUMBER	SIZE	DRAWING NO.	REV.	
D		78-5100-2754-9	B	
MODEL	IM	DET	YES	NO
		SHT	1	OF 5

3M™ MOLDED ASSEMBLY, 1M SERIES
 .100" X .100" FOR .050" PITCH CABLE, CABLE ASSEMBLY CONNECTOR



ORDERING INFORMATION

1M XX XX - XXX - XXXX - XXX.X - XX - XX - XX - X

CONNECTOR TYPES (LEFT AND RIGHT)
 SOCKET, LOW PROFILE (.41")
 10 = WITH MILITARY POLARIZATION SLOTS
 16 = WITH CENTER POLARIZATION AND MILITARY POLARIZATION SLOTS
 19 = WITH DUAL POLARIZATION AND MILITARY POLARIZATION SLOTS

SOCKET, REGULAR PROFILE (.56")
 30 = WITH MILITARY POLARIZATION SLOTS
 36 = WITH CENTER POLARIZATION AND MILITARY POLARIZATION SLOTS
 39 = WITH DUAL POLARIZATION AND MILITARY POLARIZATION SLOTS

PCB, 2 ROW
 A0 = STRAIGHT MATTE Sn SOLDER TAIL
 A1 = RETENTION MATTE Sn SOLDER TAIL

NUMBER OF CABLE CONDUCTORS

ASSEMBLY LENGTH TIP-TO-TIP INCHES (DIM A IN INCHES)
 EXAMPLE:
 001.7 = 1.7" MIN)

MARKING
 0 = NO MARKING
 1 = LABEL-DATE CODE
 2 = INKSTAMP-DATE CODE

LEFT RIGHT CENTER POLARIZATION ORIENTATION OPTIONS
 0 = NONE
 1 = INSIDE
 2 = OUTSIDE

CONNECTOR ORIENTATION OPTIONS (LEFT AND RIGHT)
 AB = UP-UP
 AD = UP-DOWN
 CB = DOWN-UP
 CD = DOWN-DOWN

LEFT RIGHT CONNECTOR FEATURE OPTIONS
 0 = NO PULL TAB OR KEYING REQUIRED
 1 = PULL TAB (SOCKET ONLY, NOT AVAILABLE ON 6 OR 8 CONTACT QUANTITY)
 2 = KEYING REQUIRED, SPECIFY POSITION(S)
 3 = PULL TAB AND KEYING REQUIRED, SPECIFY POSITION(S)

- NOTE:
 1. A FANOUT ASSEMBLY, WITH MULTIPLE CONNECTORS ON ONE END, REQUIRES A DRAWING SUBMITTAL AND REVIEW.
 2. SEE ORDERING INFORMATION FOR CONNECTOR ORIENTATION OPTIONS.

DIM L		TOLERANCE
MIN	MAX	
1.7	10.0	±0.3
10.0	20.0	±0.5
20.0	40.0	±0.6
40.0	120.0	±1.0
120.0		±2.0

CONNECTOR POSITION	6	8	10	12	14	16	20	24	26	30	34	36	40	44	50	60	64
SOCKET	X	X	X	X	X	X	X	X	X	X	X	X	X	X	X	X	X
PCB	X	X	X	X	X	X	X	X	X	X	X	X	X	X	X	X	X
ALL CABLES	X	X	X	X	X	X	X	X	X	X	X	X	X	X	X	X	X
CABLE CONDUCTORS	6	8	10	12	14	16	20	24	26	30	34	36	40	44	50	60	64

CONNECTOR SPACING	AWG	CABLE SERIES	TECHNICAL DATA SHEET	PITCH	CONDUCTOR TYPE	INSULATION MATERIAL	SPECIAL FEATURE	CABLE TEMPERATURE RATING
.100"	26 AWG	3801	TS-0063	.050"	STRANDED	PVC		-20°C TO +105°C
		3811	TS-0122	.050"	STRANDED	PVC	COLOR CODED	-20°C TO +105°C
		3365	TS-0080	.050"	STRANDED	PVC		-20°C TO +105°C
	28 AWG	HF365	TS-2334	.050"	STRANDED	PO		-40°C TO +105°C
		3355	TS-0317	.050"	STRANDED	TPE		-40°C TO +105°C
		3601	TS-0553	.050"	STRANDED	FEP		-55°C TO +200°C
		3539	TS-0058	.050"	STRANDED	PVC	MEDIUM FLEX	-20°C TO +105°C
		3319	TS-0059	.050"	STRANDED	PVC	HIGH FLEX	-20°C TO +105°C
		3302	TS-0123	.050"	STRANDED	PVC	COLOR CODED	-20°C TO +105°C
		HF539	TS-2565	.050"	STRANDED	PO	MEDIUM FLEX	-40°C TO +105°C
		HF319	TS-2342	.050"	STRANDED	PO	HIGH FLEX	-40°C TO +105°C

NOTE: FOR REFERENCE ONLY. CONFIRM CABLE SPECIFICATION USING CABLE TECHNICAL DATA SHEET

3M ELECTRONICS MATERIALS SOLUTIONS DIVISION
 INTERCONNECT SOLUTIONS
<http://www.3m.com/interconnect>

3M IS A TRADEMARK OF 3M COMPANY.
 FOR TECHNICAL, SALES OR ORDERING
 INFORMATION CALL 800-225-5373

DESIGN REFERENCE	NEXT ASSEMBLY	REV	ECO	ISSUE DATE AND DESCRIPTION	DRFT	CHKD
		ECO		JAN 19, 2023	JNC	JC
		ECO		REVISED AND REDRAWN	LDS	JG
		ECO		MAY 27, 2022		
		ECO		PRODUCTION RELEASE		
		ECO				
DRWING CODES		DATE	DATE	DATE	DATE	DATE
		MAR 04, 2022	MAR 04, 2022			
		APR 29, 2022	APR 29, 2022			
DIVISION	DIVISION CODE	© 3M COPYRIGHT 2023 This document and the information it contains are 3M property and may not be reproduced or further distributed without 3M permission, or used or disclosed other than for 3M authorized purposes. All rights reserved.				
DO NOT SCALE DRAWING	SCALE 4/1	TOLERANCES EXCEPT AS NOTED INCHES .0 ±.1 .00 ±.01 .000 ±.005 .0000 ±.0002 MILLIMETERS 0 ± .0 ± .00 ± .000 ±				
THIRD ANGLE PROJECTION	INTERPRET PER ASME Y14.5 - 2018	TITLE MOLDED CABLE ASSY .100 WITH SOCKET AND PCB CONNECTORS				
MAX SURFACE ROUGHNESS	MARKED ONLY	CAGE NUMBER	SIZE	DRAWING NO.	REV.	
		D		78-5100-2754-9	B	
		MODEL		IM	DET	YES NO SHT 2 OF 5

3M™ MOLDED ASSEMBLY, 1M SERIES
 .100" X .100" FOR .050" PITCH CABLE, CABLE ASSEMBLY CONNECTOR

3M™ MOLDED SOCKET CONNECTOR
 871 SERIES

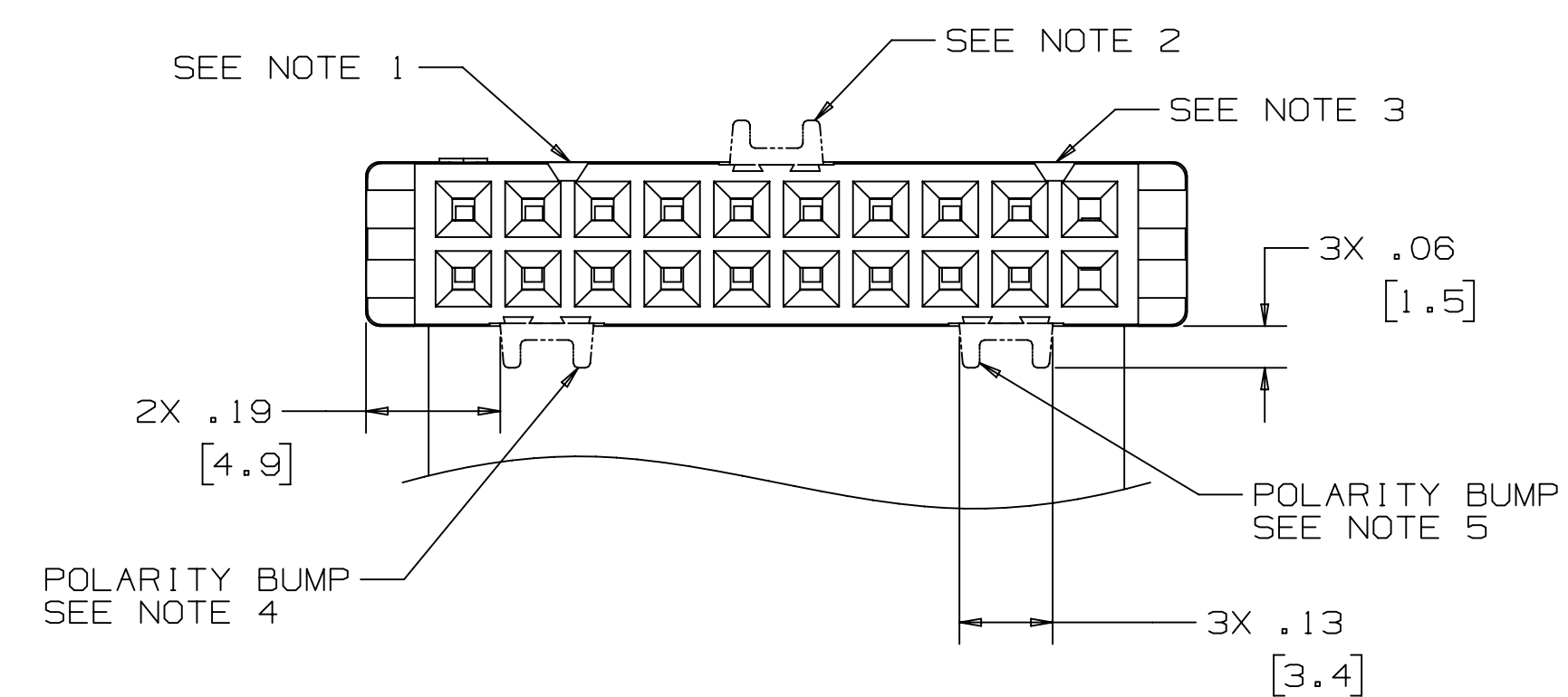
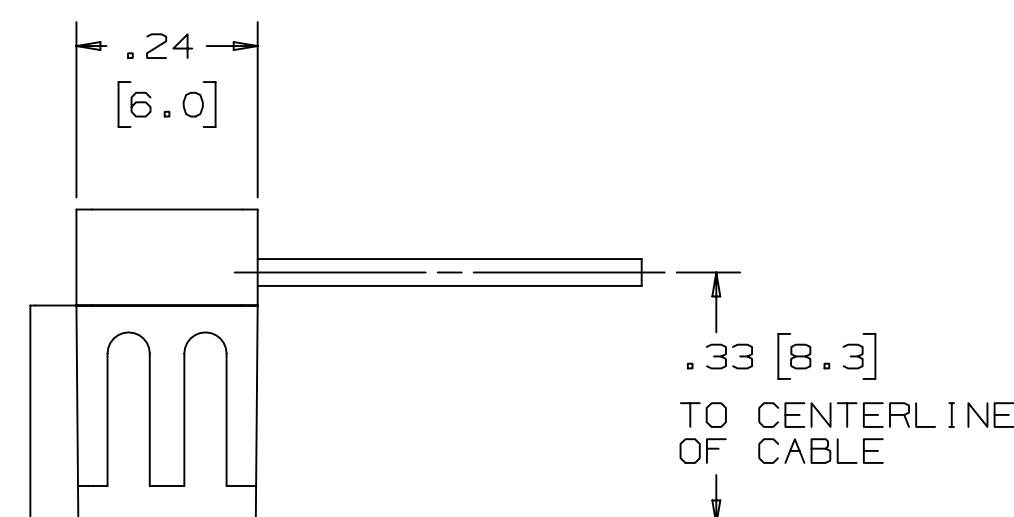
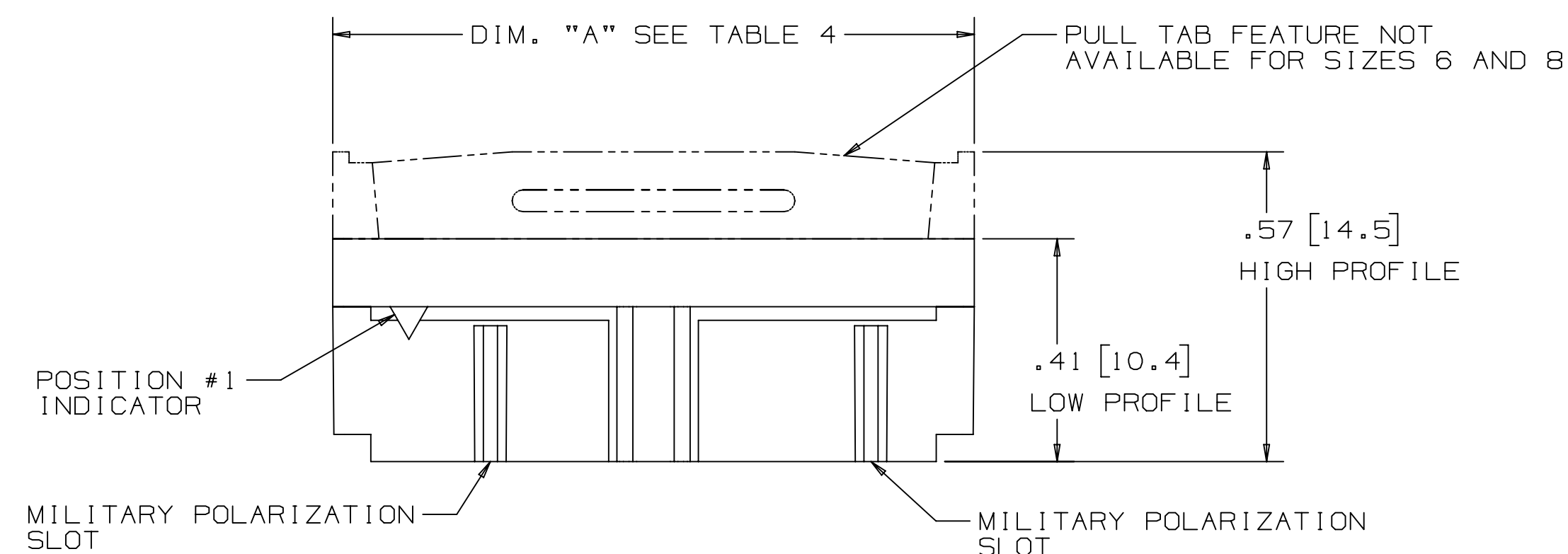
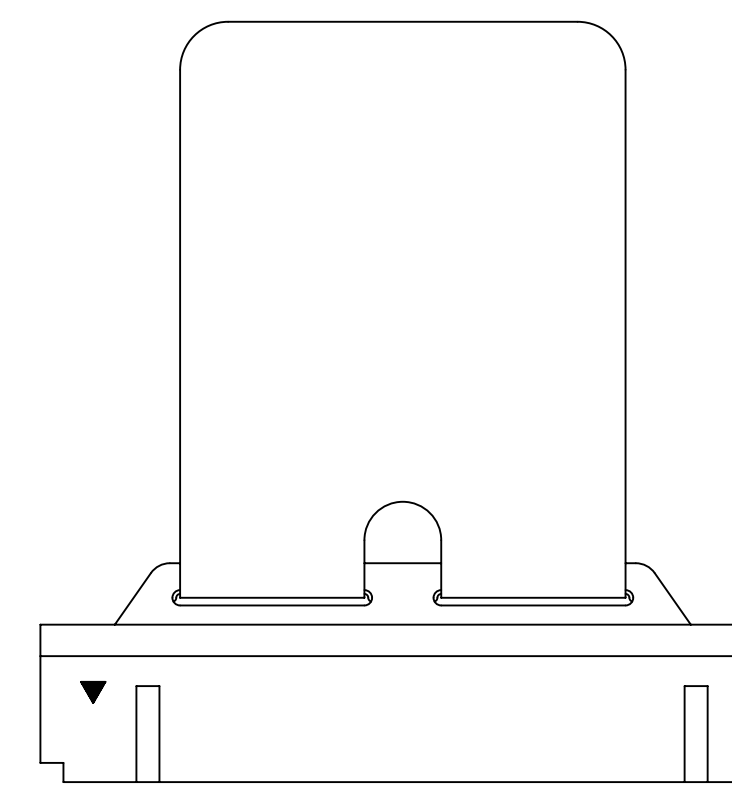
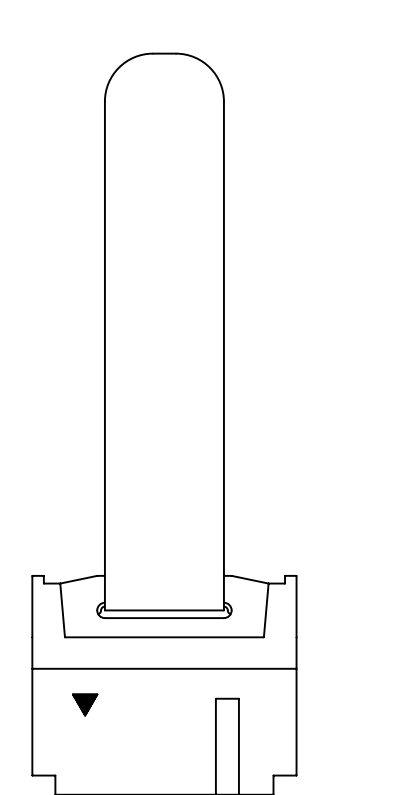
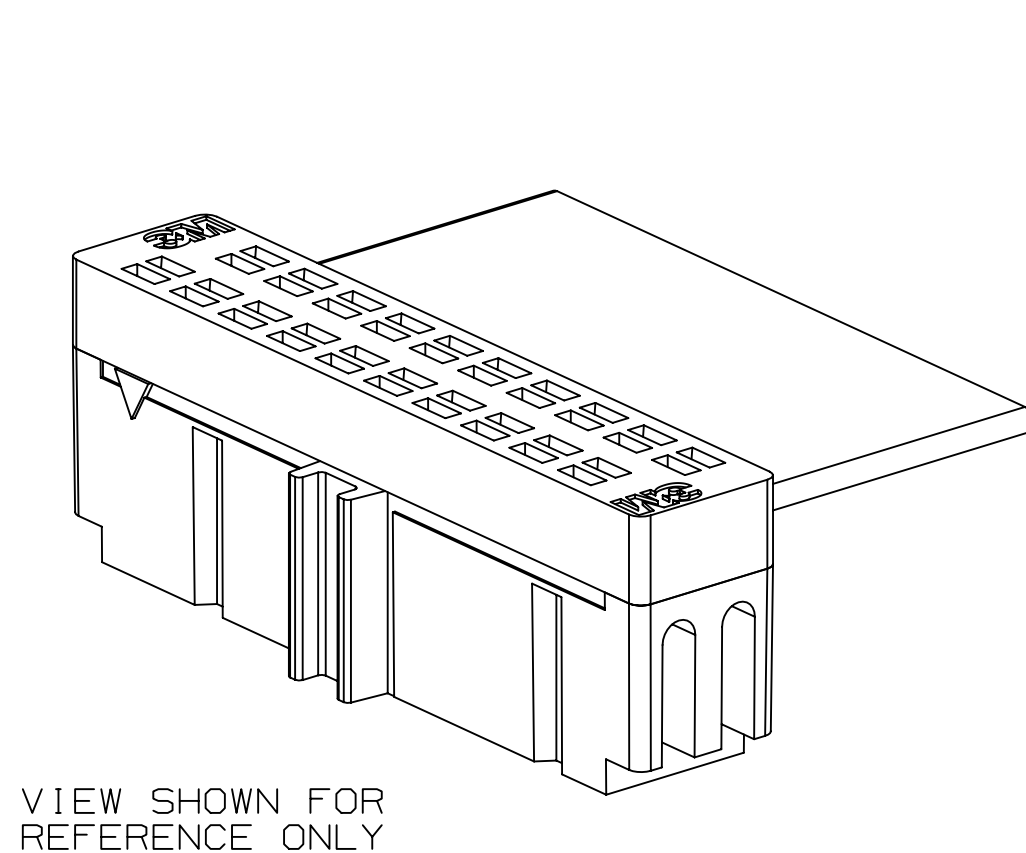


TABLE 4	
CONTACT QTY	DIM A
6	.48 [12.2]
8	.58 [14.7]
10	.68 [17.3]
12	.78 [19.8]
14	.88 [22.4]
16	.98 [24.9]
20	1.18 [30.0]
24	1.38 [35.1]
26	1.48 [37.6]
30	1.68 [42.7]
34	1.88 [47.8]
36	1.98 [50.3]
40	2.18 [55.4]
50	2.68 [68.1]
60	3.18 [80.8]
64	3.38 [85.9]

- NOTES:
1. THIS POLARIZATION SLOT IS NONEXISTENT ON SIZES 6, 8, 10, 12 AND 14.
 2. OPTIONAL CENTER POLARIZATION FEATURE.
 3. THIS POLARIZATION SLOT IS NONEXISTENT ON SIZES 6 AND 8.
 4. DUAL POLARIZATION BUMPS ARE NOT OFFERED ON SIZES 6, 8, 10 AND 12.
 5. POLARIZATION BUMP AT THIS LOCATION NOT OFFERED ON SIZES 10 AND 12.

PULL TAB FEATURES VARY WITH CONNECTOR SIZE



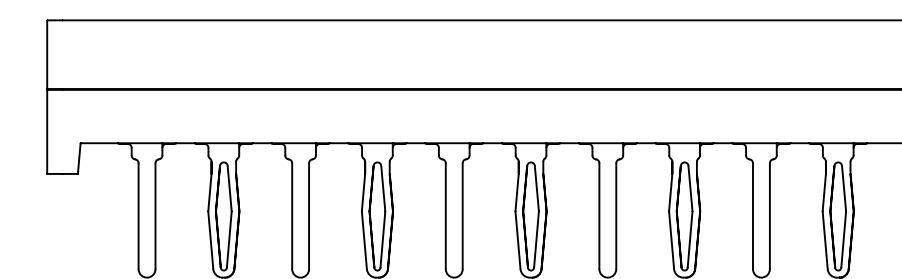
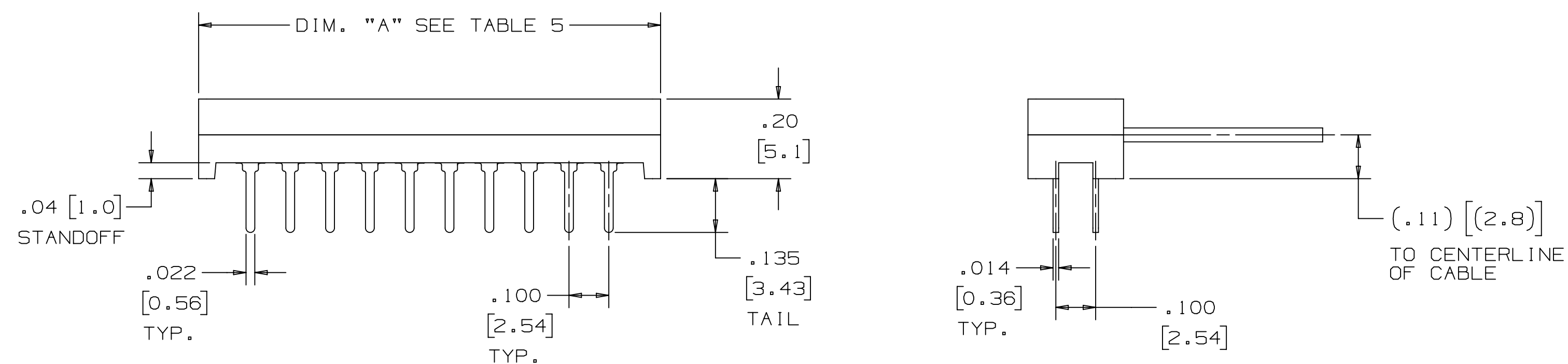
3M ELECTRONICS MATERIALS SOLUTIONS DIVISION
 INTERCONNECT SOLUTIONS
<http://www.3M.com/interconnect>

3M IS A TRADEMARK OF 3M COMPANY.
 FOR TECHNICAL, SALES OR ORDERING
 INFORMATION CALL 800-225-5373

DESIGN REFERENCE	NEXT ASSEMBLY	REV	ECO	ISSUE DATE AND DESCRIPTION	DRFT	CHKD
		DRFT	L. SCHMIDT	DATE	MAR 04, 2022	MFG
		CHKD	J. GOERTZ	DATE	APR 29, 2022	APPL
DIVISION		DIVISION CODE				
DO NOT SCALE DRAWING	SCALE 4/1	TOLERANCES EXCEPT AS NOTED				
THIRD ANGLE PROJECTION		INCHES				
INTERPRET PER ASME Y14.5 - 2018		MILLIMETERS				
MAX SURFACE ROUGHNESS		ANGLES				
MARKED ONLY		3M Center St. Paul, MN 55144 © 3M COPYRIGHT 2023 This document and the information it contains are 3M property and may not be reproduced or further distributed without 3M permission, or used or disclosed other than for 3M authorized purposes. All rights reserved.				
TITLE		MOLDED CABLE ASSY .100 WITH SOCKET AND PCB CONNECTORS				
CAGE NUMBER	SIZE	DRAWING NO.	REV.			
D		78-5100-2754-9	B			
MODEL	IM	DET		YES <input type="checkbox"/> NO <input checked="" type="checkbox"/> SHT 3 OF 5		

3M™ MOLDED ASSEMBLY, 1M SERIES
 .100" X .100" FOR .050" PITCH CABLE, CABLE ASSEMBLY CONNECTOR

3M™ MOLDED 2-ROW PCB CONNECTOR
 878 SERIES



RETENTION CONTACTS ORIENTED AS SHOWN—
 EVERY OTHER CONTACT WITH THE FIRST AND
 SECOND ROW ORDER SHIFTED BY ONE
 CONTACT. (ORIENTATION IS NOT BASED ON
 DELTA LOCATION AND MAY VARY FROM
 CONNECTOR TO CONNECTOR)

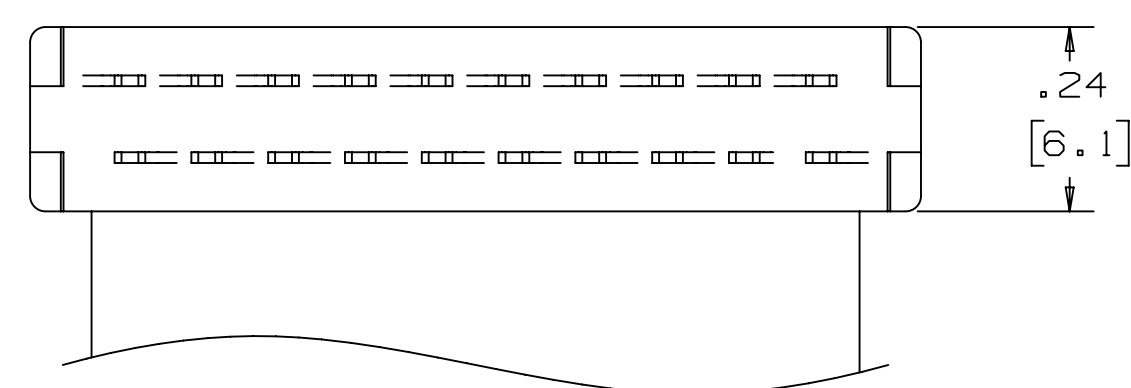
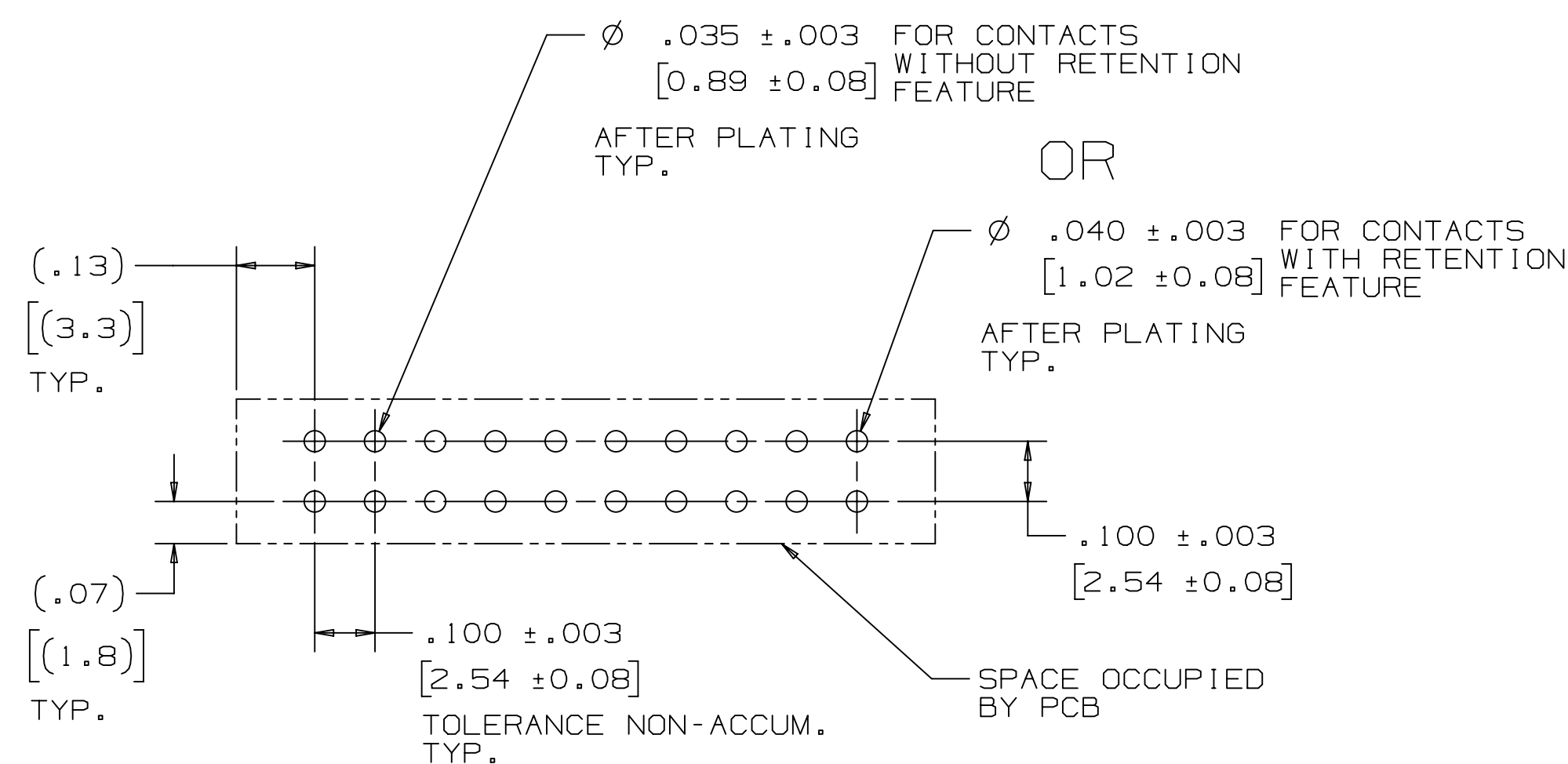
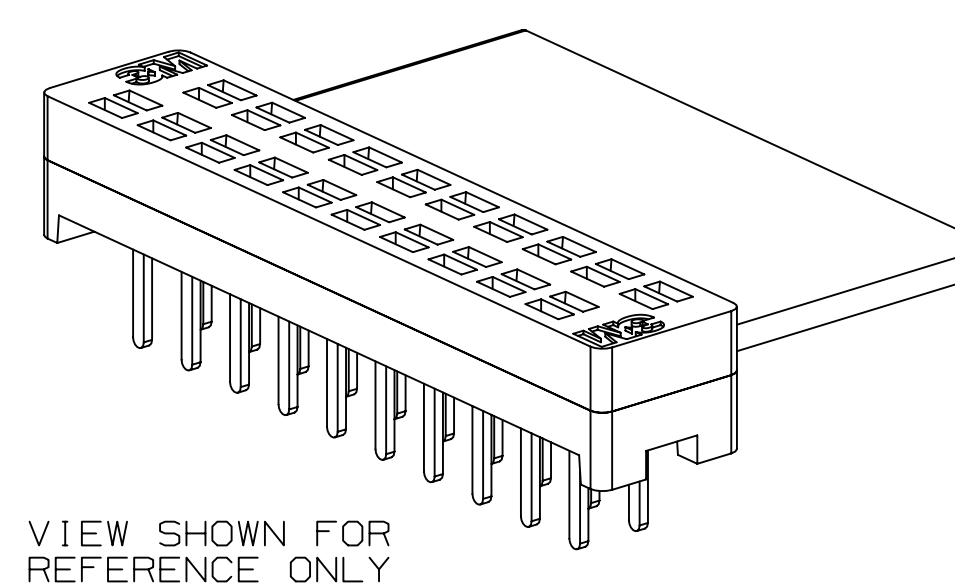


TABLE 5	
CONTACT QTY	DIM. "A"
06	.46 [11.7]
08	.56 [14.2]
10	.66 [16.8]
14	.86 [21.8]
16	.96 [24.4]
20	1.16 [29.5]
24	1.36 [34.5]
26	1.46 [37.1]
30	1.66 [42.1]
34	1.86 [47.2]
36	1.96 [49.8]
40	2.16 [54.9]
44	2.36 [59.9]
50	2.66 [67.6]
60	3.16 [80.3]
64	3.36 [85.3]



RECOMMENDED MOUNTING HOLE PATTERN
 (SHOWN FROM MOUNTING SIDE OF BOARD)



VIEW SHOWN FOR
 REFERENCE ONLY

3M ELECTRONICS MATERIALS SOLUTIONS DIVISION
 INTERCONNECT SOLUTIONS
<http://www.3M.com/interconnect>

3M IS A TRADEMARK OF 3M COMPANY.
 FOR TECHNICAL, SALES OR ORDERING
 INFORMATION CALL 800-225-5373

DESIGN REFERENCE	NEXT ASSEMBLY	REV	ECO	ISSUE DATE AND DESCRIPTION	DRFT	CHKD
		DRFT	L. SCHMIDT	DATE	MAR 04, 2022	MFG
		CHKD	J. GOERTZ	DATE	APR 29, 2022	APPL
DIVISION		DIVISION CODE				
DO NOT SCALE DRAWING	SCALE 4/1	TOLERANCES EXCEPT AS NOTED				
THIRD ANGLE PROJECTION		INCHES .00 ± .01				
INTERPRET PER ASME Y14.5 - 2018		MILLIMETERS 0 ± .000 ± .0002				
MAX. SURFACE ROUGHNESS		.00 ± .000 ± .000				
MARKED ONLY		ANGLES ±				
CAGE NUMBER		SIZE		DRAWING NO.		REV.
D78-5100-2754-9		IM		D78-5100-2754-9		B
MODEL		IM		DET		SHT 4 OF 5

© 3M COPYRIGHT 2023
 This document and the information it contains are 3M property and may not be reproduced or further distributed without 3M permission, or used or disclosed other than for 3M authorized purposes. All rights reserved.

TITLE
 MOLDED CABLE ASSY
 .100 WITH SOCKET AND
 PCB CONNECTORS

78-5100-2754-9 DRAWING NUMBER

B REVISION

A

3M™ MOLDED ASSEMBLY, 1M SERIES
 .100" X .100" FOR .050" PITCH CABLE, CABLE ASSEMBLY CONNECTOR

Regulatory: For regulatory information about this product, visit 3M.com/regs or contact your 3M representative.

Technical Information: The technical information, guidance, and other statements contained in this document or otherwise provided by 3M are based upon records, tests, or experience that 3M believes to be reliable, but the accuracy, completeness, and representative nature of such information is not guaranteed. Such information is intended for people with knowledge and technical skills sufficient to assess and apply their own informed judgment to the information. No license under any 3M or third party intellectual property rights is granted or implied with this information.

Product Use: Many factors beyond 3M's control and uniquely within user's knowledge and control can affect the use and performance of a 3M product in a particular application. As a result, customer is solely responsible for evaluating the product and determining whether it is appropriate and suitable for customer's application, including conducting a workplace hazard assessment and reviewing all applicable regulations and standards (e.g., OSHA, ANSI, etc.). Failure to properly evaluate, select, and use a 3M product in accordance with all applicable instructions and with appropriate safety equipment, or to meet all applicable safety regulations, may result in injury, sickness, death, and/or harm to property.

Warranty, Limited Remedy, and Disclaimer: Unless a different warranty is specifically stated on the applicable 3M product packaging or product literature (in which case such warranty governs), 3M warrants that each 3M product meets the applicable 3M product specification at the time 3M ships the product. 3M MAKES NO OTHER WARRANTIES OR CONDITIONS, EXPRESS OR IMPLIED, INCLUDING, BUT NOT LIMITED TO, ANY IMPLIED WARRANTY OR CONDITION OF MERCHANTABILITY, FITNESS FOR A PARTICULAR PURPOSE, OR ANY IMPLIED WARRANTY OR CONDITION ARISING OUT OF A COURSE OF DEALING, CUSTOM, OR USAGE OF TRADE. If a 3M product does not conform to this warranty, then the sole and exclusive remedy is, at 3M's option, replacement or repair of the 3M product or refund of the purchase price.

Limitation of Liability: Except for the limited remedy stated above, and except to the extent prohibited by applicable law, 3M will not be liable for any loss or damage arising from or related to the 3M product, whether direct, indirect, special, incidental, or consequential (including, but not limited to, lost profits or business opportunity), regardless of the legal or equitable theory asserted, including, but not limited to, warranty, contract, negligence, or strict liability.

Disclaimer: For industrial use only. Not intended, labeled or packaged for consumer sale or use.

3M Company
 Electronics Materials Solutions Division
 13011 McCallen Pass, Bldg. C
 Austin, TX 78753-5380
 1-800-225-5373
 www.3M.com/interconnect

3M ELECTRONICS MATERIALS SOLUTIONS DIVISION
 INTERCONNECT SOLUTIONS
<http://www.3M.com/interconnect>

3M IS A TRADEMARK OF 3M COMPANY.
 FOR TECHNICAL, SALES OR ORDERING
 INFORMATION CALL 800-225-5373

DESIGN REFERENCE	NEXT ASSEMBLY	REV	ECO	ISSUE DATE AND DESCRIPTION	DRFT	CHKD
		DRFT	L SCHMIDT	DATE	MAR 04, 2022	MFG
		CHKD	J GOERTZ	DATE	APR 29, 2022	APPL
DIVISION	DIVISION CODE	© 3M COPYRIGHT 2023 This document and the information it contains are 3M property and may not be reproduced or further distributed without 3M permission, or used or disclosed other than for 3M authorized purposes. All rights reserved.				
DO NOT SCALE DRAWING	SCALE	TOLERANCES EXCEPT AS NOTED		3M Center St. Paul, MN 55144		
		INCHES		TITLE		
		.00 ± .01		MOLDED CABLE ASSY		
		.0000 ± .0002		.100 WITH SOCKET AND PCB CONNECTORS		
THIRD ANGLE PROJECTION		MILLIMETERS		CAGE NUMBER		
		0 ±		D 78-5100-2754-9		
		.00 ±		DRAWING NO.		
		.000 ±		REV.		
		ANGLES ±		B		
MAX SURFACE ROUGHNESS		CAGE NUMBER		MODEL		
ALL SURFACES		D 78-5100-2754-9		IM		
MARKED ONLY		DET		SHT 5 OF 5		
		LISTS		YES <input type="checkbox"/> NO <input type="checkbox"/>		

DRAWING NUMBER 78-5100-2754-9

REVISION