

190mm Plastic Backward Centrifugal Fan

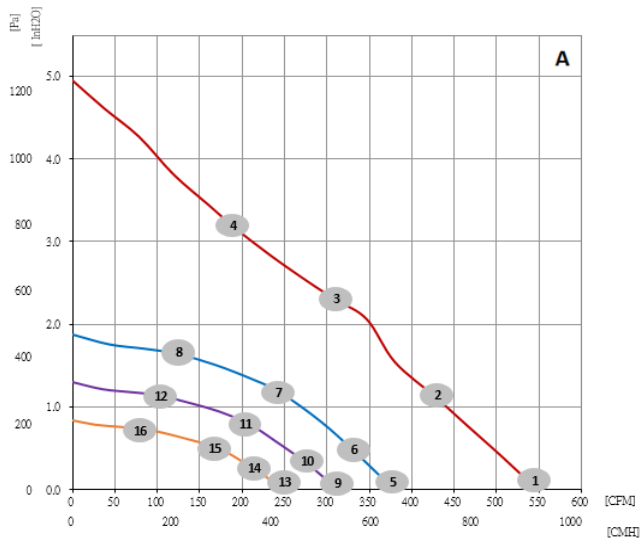
Characteristics:

- Material:**
Impeller: Plastic
Rotor: Zinc Plating Steel
Electronics housing: Die-cast aluminium
- Number of blades:** 7
- Direction of rotation:** Clockwise viewed toward rotor
- Insulation class:** "B"
- Installation position:** Any
- Degree of protection:** IP54
- Condensation drainage holes:** None
- Mode:** Continuous operation (S1)
- Mounting:** Maintenance-free ball bearings
- Technical features:** Controller input PWM/0-10V
- Cable exit:** Variable
- Protection class:** I (with customer connection of protective earth)
- Conformity with standards:** UL
- Weight:** 1.5KG



Performance:

| Nominal data | Platform | Curve | Nominal voltage range | Frequency | Speed* | Max input power* | Max input current* | Operating ambient temp | Life time | PWM/0-10V |
|-------------------|----------|-------|-----------------------|-----------|--------|------------------|--------------------|------------------------|-----------|-----------|
| Type | Motor | | VAC | Hz | rpm | W | A | °C | Hr | |
| ECO190CB126072220 | OD72 | A | 120 | 50 / 60 | 4060 | 170 | 2.34 | -20 to +60 | 40,000 | ● |



| | n (rpm) | P1 (W) | I (A) | η (%) | P (Pa) | P (InH ₂ O) | Q (CMH) | Q (CFM) |
|---|---------|--------|-------|-------|--------|------------------------|---------|---------|
| ① | 4320 | 177 | 2.34 | — | 0 | 0 | 930 | 548 |
| ② | 4040 | 178 | 2.34 | 31.4 | 277 | 1.11 | 729 | 430 |
| ③ | 4060 | 179 | 2.34 | 46.8 | 570 | 2.29 | 530 | 312 |
| ④ | 4210 | 178 | 2.34 | 40.0 | 786 | 3.15 | 327 | 193 |
| ⑤ | 3020 | 64 | 0.91 | — | 0 | 0 | 644 | 379 |
| ⑥ | 3020 | 73 | 1.02 | 24.7 | 115 | 0.46 | 563 | 332 |
| ⑦ | 3020 | 75 | 1.05 | 44.8 | 290 | 1.16 | 417 | 246 |
| ⑧ | 3020 | 66 | 0.93 | 35.7 | 408 | 1.64 | 209 | 123 |
| ⑨ | 2530 | 40 | 0.59 | — | 0 | 0 | 533 | 314 |
| ⑩ | 2530 | 45 | 0.65 | 22.6 | 77 | 0.31 | 472 | 278 |
| ⑪ | 2530 | 46 | 0.67 | 42.3 | 198 | 0.79 | 354 | 209 |
| ⑫ | 2530 | 41 | 0.6 | 33.5 | 284 | 1.14 | 172 | 101 |
| ⑬ | 2030 | 22 | 0.35 | — | 0 | 0 | 425 | 250 |
| ⑭ | 2030 | 25 | 0.39 | 22.5 | 56 | 0.22 | 367 | 216 |
| ⑮ | 2030 | 26 | 0.4 | 38.8 | 128 | 0.52 | 284 | 167 |
| ⑯ | 2030 | 23 | 0.36 | 31.1 | 181 | 0.73 | 143 | 84 |

190mm Plastic Backward Centrifugal Fan

Drawing:

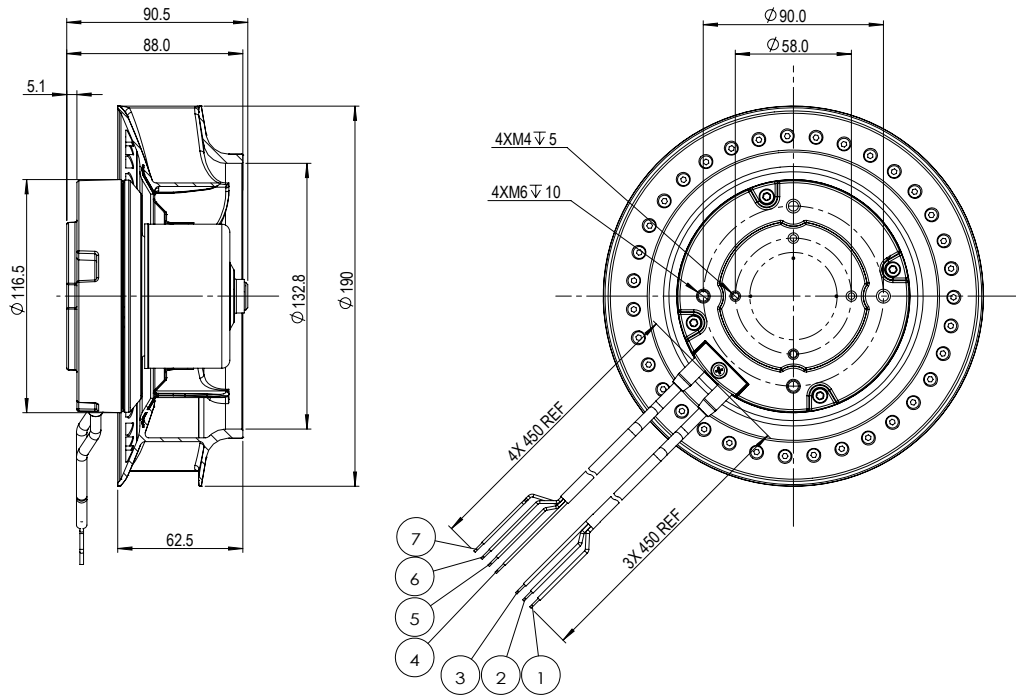
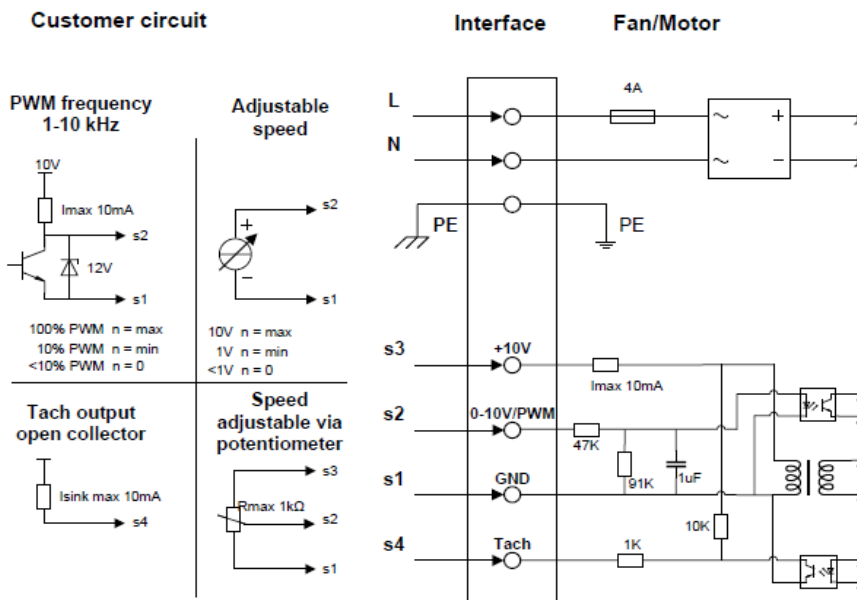


Diagram:



| No. | DESIGNATION | COLOR | ASSIGNMENT |
|-----|-------------|--------------|--|
| 1 | L | BROWN | POWER SUPPLY |
| 2 | N | BLUE | NEUTRAL |
| 3 | PE | GREEN/YELLOW | GROUND CONNECTION |
| 4 | GND | BLACK | GND CONNECTION FOR CONTROL INTERFACE, SELV |
| 5 | PWM0-10V | YELLOW | CONTROL INPUT PWM0-10V, SELV |
| 6 | TACH | WHITE | TACH OUT, SELV |
| 7 | +10V | RED | VOLTAGE OUTPUT 10 VDC, SELV |